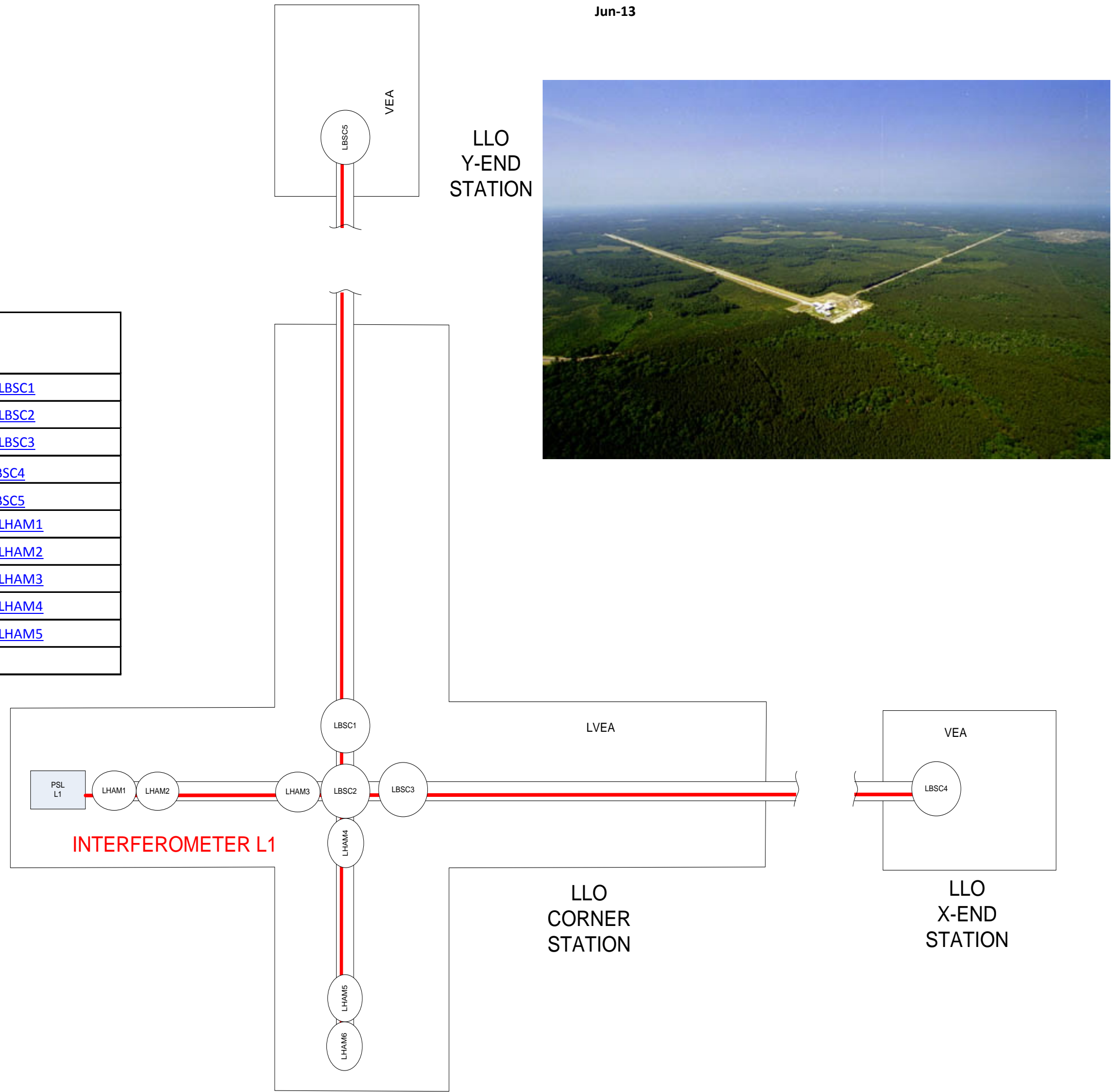


- 1 [LIGO-E1200123: aLIGO](#)
- 2 [LIGO-E1200479: aLIGO, System](#)
- 3 [LIGO-D0901491: aLIGO Systems Layout](#)
- 4 [LIGO-D0901490: AdvLIGO LIVINGSTON SYSTEM LAYOUT](#)
- 5 [LIGO-D0901464: AdvLIGO Systems Layout LLO Y-End Station](#)
- 5 [LIGO-D0901465: AdvLIGO Systems Layout LLO X-End Station](#)
- 5 [LIGO-D0901466: AdvLIGO Systems Layout LLO Corner Station](#)
- 2 [LIGO-E1200483: aLIGO, INS](#)
- 3 [LIGO-E1200023: aLIGO Chamber \(Top Level\) Installation Procedures](#)

Chamber	Top Level Chamber Assembly	Install Documents
LBSC1 - L1	D0900442	LIGO-E1200634: aLIGO Chamber (Top Level) Installation Procedure: LBSC1
LBSC2 - L1	D0900428	LIGO-E1200329: aLIGO Chamber (Top Level) Installation Procedure: LBSC2
LBSC3 - L1	D0900492	LIGO-E1200918: aLIGO Chamber (Top Level) Installation Procedure: LBSC3
LBSC4 - L1	D0900471	LIGO-E1300269: aLIGO Chamber (Top Level) Installation Procedure: LBSC4
LBSC5 - L1	D0900506	LIGO-E1300268: aLIGO Chamber (Top Level) Installation Procedure: LBSC5
LHAM1 - L1	D0901809	LIGO-E1200099: aLIGO Chamber (Top Level) Installation Procedure: LHAM1
LHAM2 - L1	D0900365	LIGO-E1200565: aLIGO Chamber (Top Level) Installation Procedure: LHAM2
LHAM3 - L1	D0900520	LIGO-E1200025: aLIGO Chamber (Top Level) Installation Procedure: LHAM3
LHAM4 - L1	D0900421	LIGO-E1200615: aLIGO Chamber (Top Level) Installation Procedure: LHAM4
LHAM5 - L1	D0900456	LIGO-E1200444: aLIGO Chamber (Top Level) Installation Procedure: LHAM5
LHAM6 - L1	D0901811	

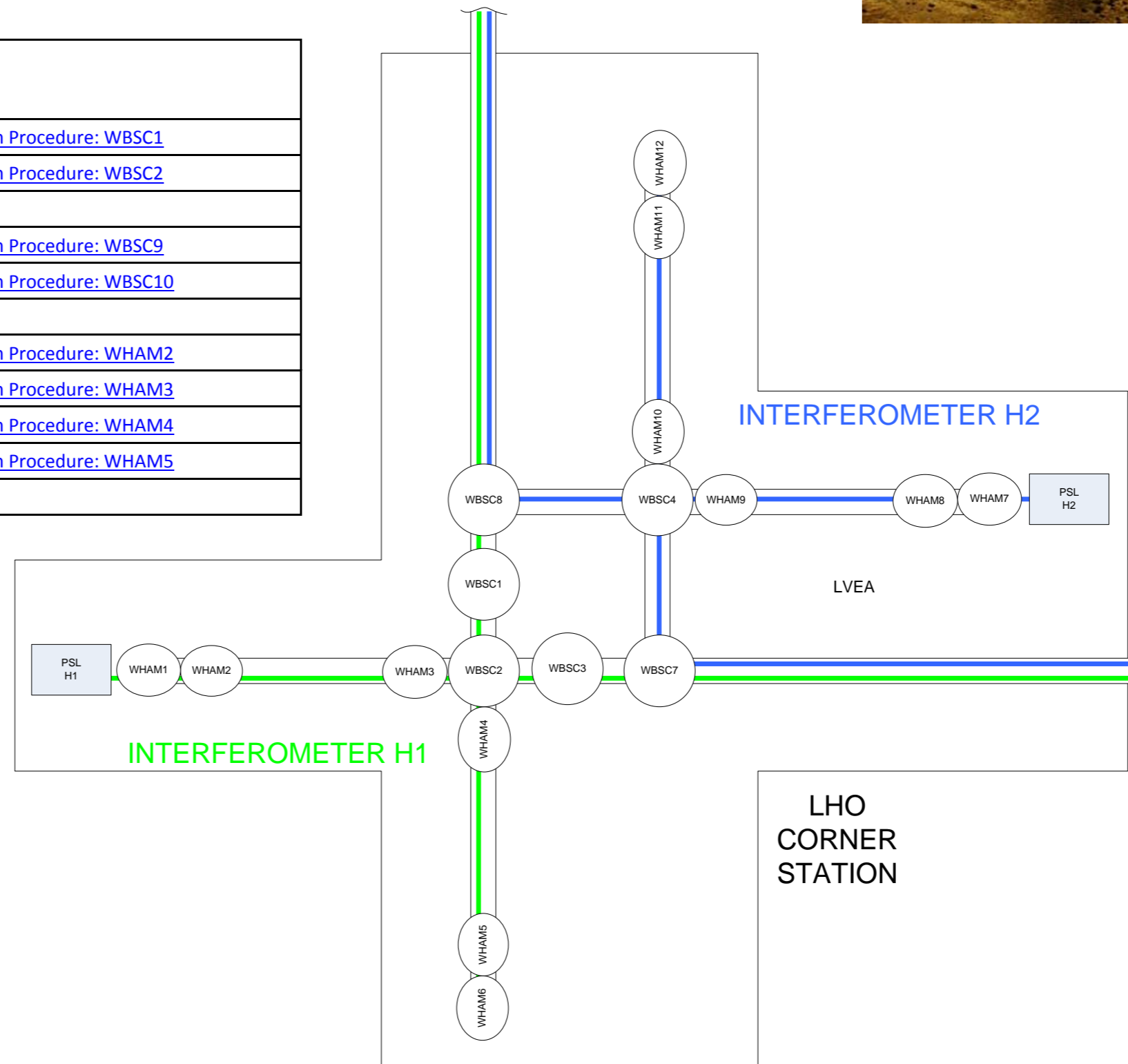
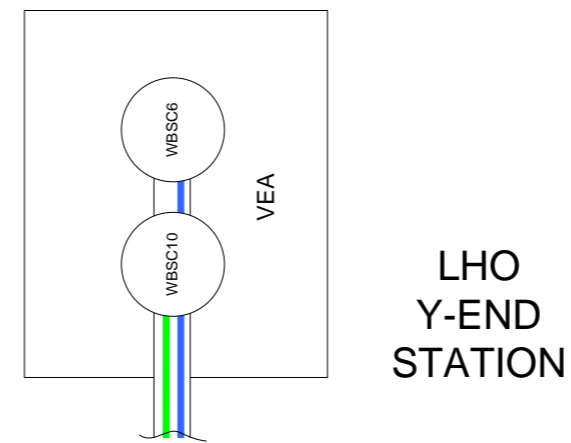


LIGO Livingston Observatory

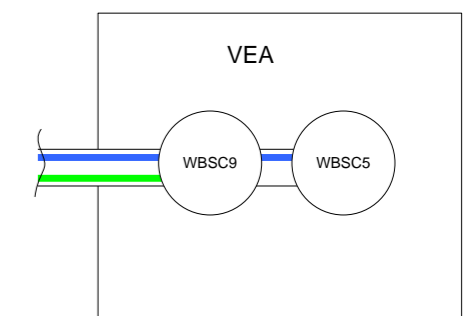
- 1 [LIGO-E1200123: aLIGO](#)
- 2 [LIGO-E1200479: aLIGO, System](#)
- 3 [LIGO-D0901491: aLIGO Systems Layout](#)
- 4 [LIGO-D0901477: AdvLIGO HANFORD SYSTEMS LAYOUT](#)
[LIGO-D0901467: AdvLIGO Systems IO Layout LHO Y-End Station](#)
[LIGO-D0901468: AdvLIGO Systems IO Layout LHO X-End Station](#)
- 2 [LIGO-E1200483: aLIGO, INS](#)
- 3 [LIGO-E1200023: aLIGO Chamber \(Top Level\) Installation Procedures](#)

Chamber	Top Level Chamber Assembly	Install Documents
WBSC1 - H1	D0901137	LIGO-E1200915: aLIGO Chamber (Top Level) Installation Procedure: WBSC1
WBSC2 - H1	D0901142	LIGO-E1200971: aLIGO Chamber (Top Level) Installation Procedure: WBSC2
WBSC3 - H1	D0901146	
WBSC9 - H1	D0901150	LIGO-E1300267: aLIGO Chamber (Top Level) Installation Procedure: WBSC9
WBSC10 - H1	D0901154	LIGO-E1300266: aLIGO Chamber (Top Level) Installation Procedure: WBSC10
WHAM1 - H1	D0901821	
WHAM2 - H1	D0901083	LIGO-E1200566: aLIGO Chamber (Top Level) Installation Procedure: WHAM2
WHAM3 - H1	D0901094	LIGO-E1200450: aLIGO Chamber (Top Level) Installation Procedure: WHAM3
WHAM4 - H1	D0901125	LIGO-E1300204: aLIGO Chamber (Top Level) Installation Procedure: WHAM4
WHAM5 - H1	D0901129	LIGO-E1300205: aLIGO Chamber (Top Level) Installation Procedure: WHAM5
WHAM6 - H1	D0901822	

Jun-13



Chamber	Top Level Chamber Assembly
WBSC4 - H2	D0900481
WBSC5 - H2	D0900502
WBSC6 - H2	D0900512
WBSC7 - H2	D0900405
WBSC8 - H2	D0900360
WHAM7 - H2	D0901825
WHAM8 - H2	D0900449
WHAM9 - H2	D0900465
WHAM10 - H2	D0900469
WHAM11 - H2	D0900487
WHAM12 - H2	D0901828



LIGO Hanford Observatory