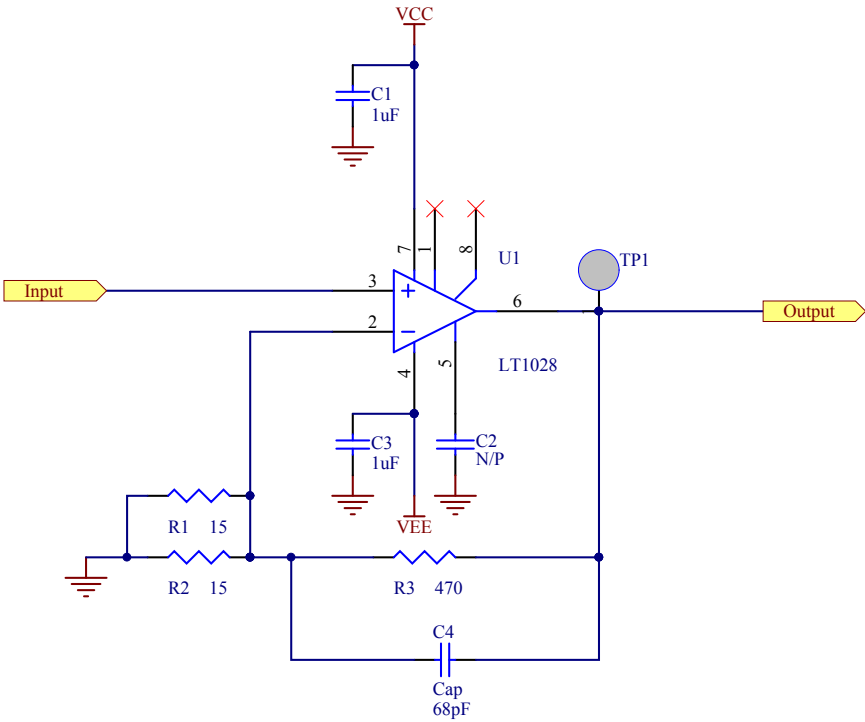



Title		aLIGO TCS CO2 Laser Photodiode Preamp Board	
Size:	C	DCC Number:	D1201111
Drawn by:	Ben Abbott	Date:	7/29/2014
File:	C:\astro\Ben.Abbott\TCS_Shell\Preamp\PCB\A\PCB_A\Avid_Sch_Sheet_10.52.54_A1_Sheet_1.cad	Revision:	v3
		LIGO Project California Institute of Technology Massachusetts Institute of Technology	



$$\text{Gain} = ((470/7.5) + 1) = 63.7$$



Title <i>aLIGO TCS CO2 Laser Photodiode Preamp Channel</i>			
Size: A	DCC Number: D1201111		<i>Ligo Project</i> <i>California Institute of Technology</i> <i>Massachusetts Institute of Technology</i> 
Drawn by: Ben Abbott	Date: 7/29/2014	Revision: V3	
File: C:\restored\Ben\AOS\TCS Stuff\PDPreamp\PD\NA\Chan.SchDoc			Time: 10:52:54 AM Sheet 2 of 2

