

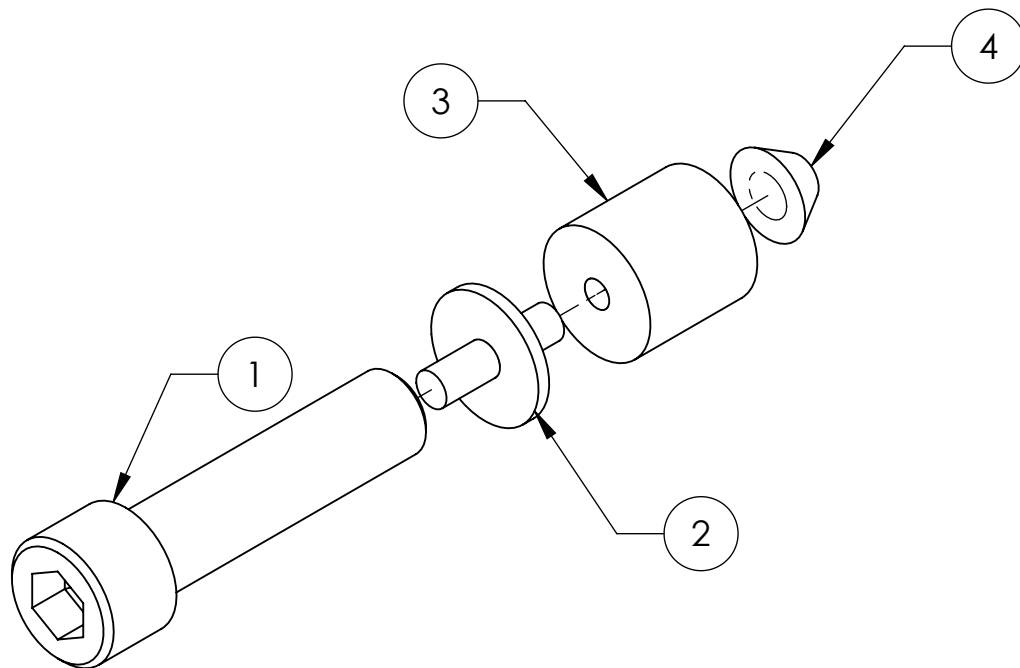
4

3

2

1

REV.	DATE	DCN #	DRAWING TREE #
v1	14 AUG 2012	E1200756	-
v2	22 JAN 2015	E1500019-x0	-
-	-	-	-



4	D060546	αLIGO SUS, EARTHQUAKE STOP INSERT	FUSED SILICA	1	-	1
3	D060546	αLIGO SUS, EARTHQUAKE STOP	FLUROELASTOMER	1	-	1
2	D060547	αLIGO SUS, EARTHQUAKE STOP MOUNT PLATE	304, 316 OR 302 SSSL	1	-	1
1	D1201151	EARTHQUAKE STOP ADJUSTER, SHORT, BS	304, 316 OR 302 SSSL	1	-	1
ITEM NO.	PART NUMBER	DESCRIPTION	MATERIAL	REQ	SPARE	TOTAL
PARTS LIST						

NOTES AND TOLERANCES: (UNLESS OTHERWISE SPECIFIED)

DIMENSIONS ARE IN INCHES

MATERIAL

N/A

FINISH

N/A μinch



CALIFORNIA INSTITUTE OF TECHNOLOGY
MASSACHUSETTS INSTITUTE OF TECHNOLOGY

SYSTEM

ADVANCED LIGO

SUB-SYSTEM

SUS

NEXT ASSY

D1000392

PART NAME

EQ STOP ADJUSTER, SHORT, BS ASSY

DESIGNER

B. MOORE

14 AUG 2012

DRAFTER

B. MOORE

14 AUG 2012

CHECKER

C. TORRIE

14 AUG 2012

APPROVAL

SIZE

A

DWG. NO.

D1201152

REV.

v2

SCALE: 2:1

PROJECTION:



SHEET 1 OF 1