

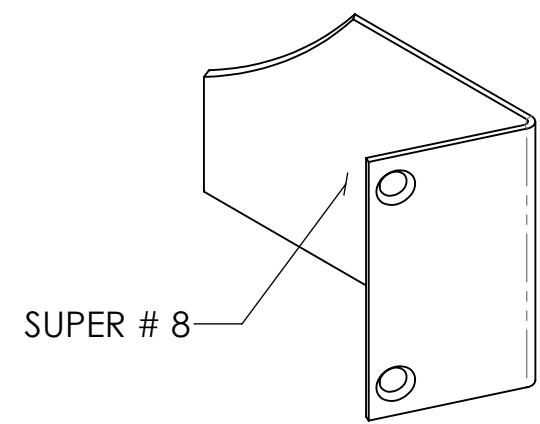
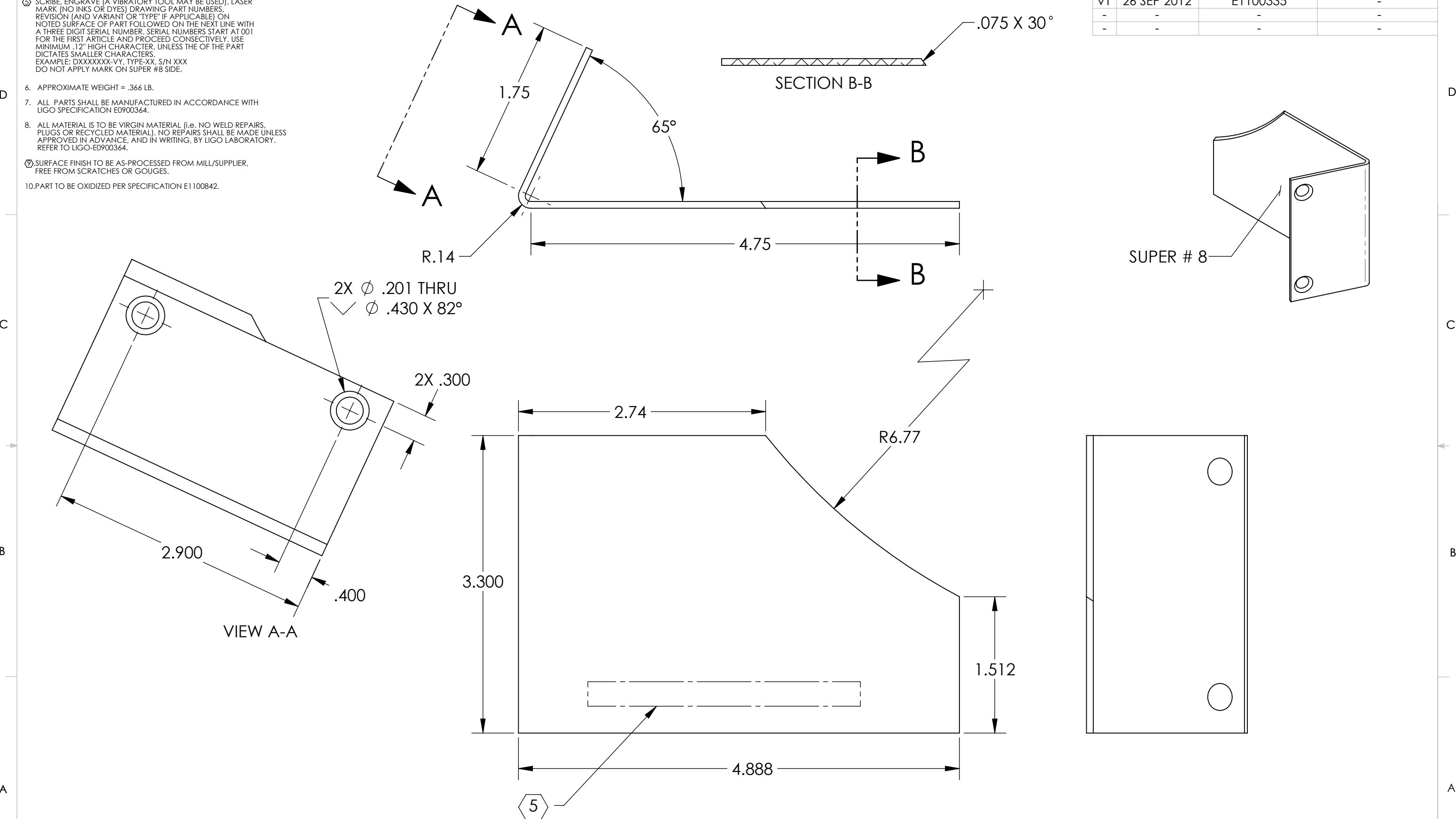
D1201164\_AdlIGO\_AOS\_SLC\_ACB Lower Right Mouse Hole Cover, PART PDM REV: X-011, DRAWING PDM REV: X-004

- NOTES CONTINUED:**
- 5. SCRIBE, ENGRAVE (A VIBRATORY TOOL MAY BE USED), LASER MARK (NO INKS OR DYES) DRAWING PART NUMBERS, REVISION (AND VARIANT OR "TYPE" IF APPLICABLE) ON NOTED SURFACE OF PART FOLLOWED ON THE NEXT LINE WITH A THREE DIGIT SERIAL NUMBER. SERIAL NUMBERS START AT 001 FOR THE FIRST ARTICLE AND PROCEED CONSECUTIVELY. USE MINIMUM .12" HIGH CHARACTER, UNLESS THE OF THE PART DICTATES SMALLER CHARACTERS. EXAMPLE: DXXXXXX-VY, TYPE-XX, S/N XXX DO NOT APPLY MARK ON SUPER #8 SIDE.
  - 6. APPROXIMATE WEIGHT = .366 LB.
  - 7. ALL PARTS SHALL BE MANUFACTURED IN ACCORDANCE WITH LIGO SPECIFICATION E0900364.
  - 8. ALL MATERIAL IS TO BE VIRGIN MATERIAL (i.e. NO WELD REPAIRS, PLUGS OR RECYCLED MATERIAL). NO REPAIRS SHALL BE MADE UNLESS APPROVED IN ADVANCE, AND IN WRITING, BY LIGO LABORATORY. REFER TO LIGO-E0900364.
  - 9. SURFACE FINISH TO BE AS-PROCESSED FROM MILL/SUPPLIER, FREE FROM SCRATCHES OR GOUGES.
  - 10. PART TO BE OXIDIZED PER SPECIFICATION E1100842.

| REV. | DATE        | DCN #    | DRAWING TREE # |
|------|-------------|----------|----------------|
| v1   | 26 SEP 2012 | E1100335 | -              |
| -    | -           | -        | -              |
| -    | -           | -        | -              |

D  
C  
B  
A

D  
C  
B  
A



| NOTES AND TOLERANCES: (UNLESS OTHERWISE SPECIFIED)                                    |  |                           |  | LIGO CALIFORNIA INSTITUTE OF TECHNOLOGY MASSACHUSETTS INSTITUTE OF TECHNOLOGY   |  | PART NAME   |  |
|---|--|---------------------------|--|---|--|---|--|
| DIMENSIONS ARE IN INCHES<br>TOLERANCES:<br>.XX ± .02<br>.XXX ± .005<br>ANGULAR ± 0.5° |  |                           |  | 1. INTERPRET DRAWING PER ASME Y14.5-1994.<br>2. REMOVE ALL SHARP EDGES, .005-.015, FOR MACHINED PARTS. ROUND ALL EDGES APPROXIMATELY R.02 FOR SHEET METAL PARTS.<br>3. DO NOT SCALE FROM DRAWING.<br>4. ALL MACHINING FLUIDS MUST BE FULLY SYNTHETIC, FULLY WATER SOLUBLE AND FREE OF SULFUR, SILICONE, AND CHLORINE. |  | <b>ACB, LOWER RIGHT MOUSE HOLE COVER</b>  |  |
| <b>MATERIAL</b><br>14 GAUGE 304 SSSL  |  | <b>FINISH</b><br>SUPER #8 |  | <b>SYSTEM</b><br>ADVANCED LIGO  |  | <b>SUB-SYSTEM</b><br>AOS  |  |
| <b>5</b>  |  |                           |  | <b>NEXT ASSY</b><br>D1200654 & D1201036   |  | <b>DESIGNER</b> TQ. NGUYEN 17 AUG 2012<br><b>DRAFTER</b> TQ. NGUYEN 26 SEP 2012<br><b>CHECKER</b> L. AUSTIN<br><b>APPROVAL</b> M. SMITH |  |
|   |  |                           |  | <b>SIZE DWG. NO.</b><br><b>B</b>  |  | <b>D1201164</b>   |  |
|   |  |                           |  | <b>SCALE:</b> 1:1   |  | <b>PROJECTION:</b>  |  |
|   |  |                           |  |   |  | <b>REV.</b><br>v1   |  |
|   |  |                           |  |   |  | SHEET 1 OF 1  |  |

8 7 6 5 4 3 2 1