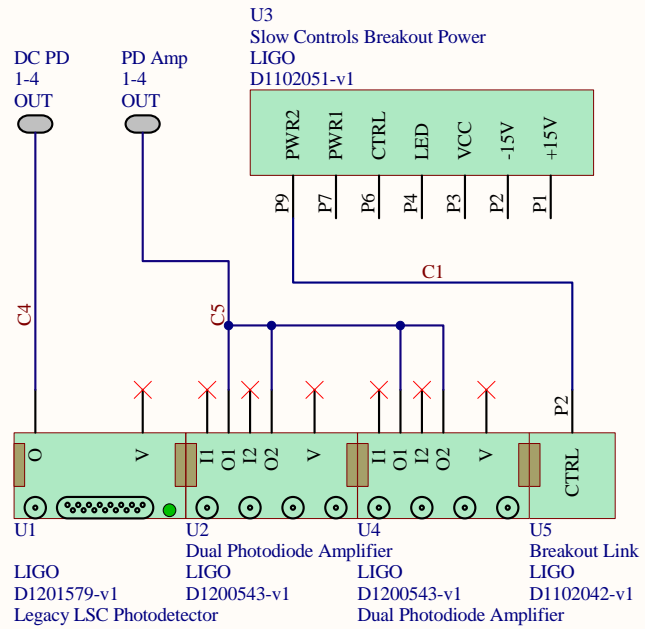


PD In/Out

Power



PD Monitors

C1 Cable Assembly
Digi-Key
M3CCA-5018J-ND

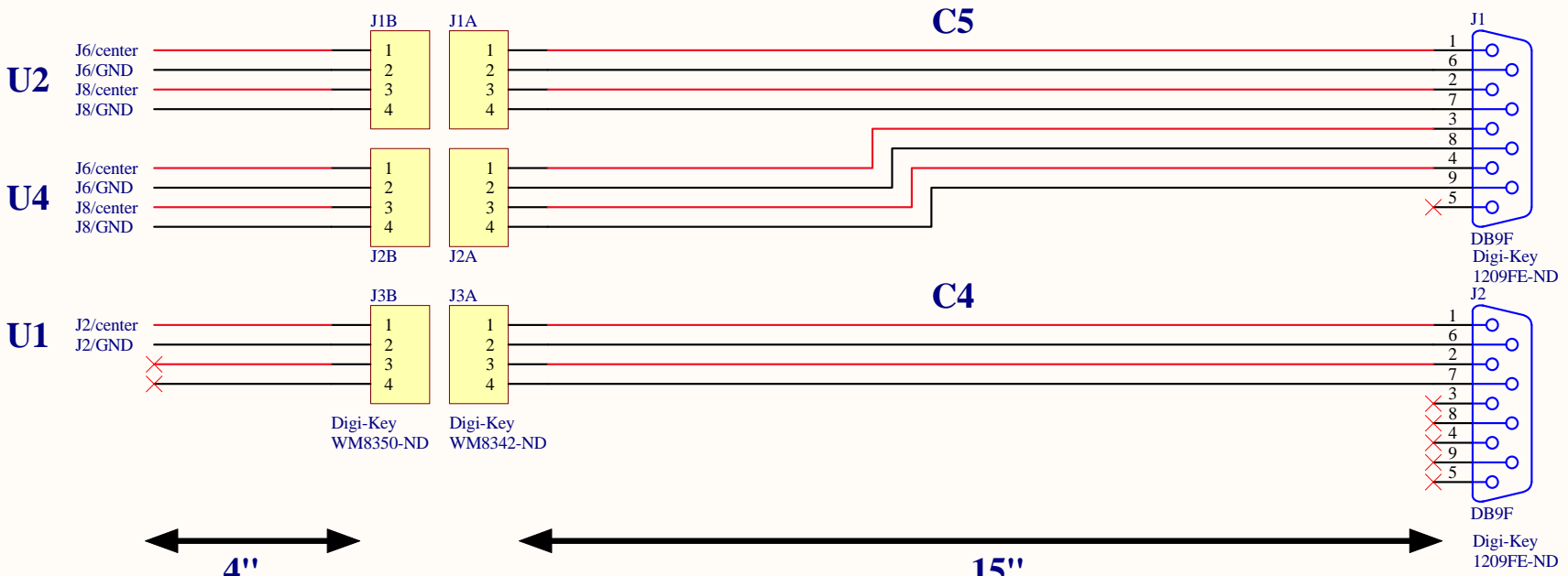
E19 Screwlock kit
L-Com
SDG400XS

- E1 BNC lock washer
- E2 BNC nut
- E3 BNC lock washer
- E4 BNC nut
- E5 BNC lock washer
- E6 BNC nut
- E7 BNC lock washer
- E8 BNC nut
- E9 BNC lock washer
- E10 BNC nut
- E11 BNC lock washer
- E12 BNC nut
- E13 BNC lock washer
- E14 BNC nut
- E15 BNC lock washer
- E16 BNC nut
- E17 BNC lock washer
- E18 BNC nut

- H1 Handle, 1.25"
- H2 Handle, 1.25"
- Mouser 534-9106
- H3 Ferrule
- H4 Ferrule
- H5 Ferrule
- H6 Ferrule
- Mouser 534-9121
- M1 #6-32 1/4" flat
- M2 #6-32 1/4" flat
- M3 #6-32 1/4" flat
- M4 #6-32 1/4" flat
- M5 #6-32 1/4" flat
- M6 #6-32 1/4" flat
- McMaster-Carr 91099A205
- M7 #6-32 3/8" flat
- M8 #6-32 3/8" flat
- M9 #6-32 3/8" flat
- M10 #6-32 3/8" flat
- McMaster-Carr 91099A215
- E20 #6-32 1/4" flat
- E21 #6-32 1/4" flat
- E22 #6-32 1/4" flat
- E23 #6-32 1/4" flat
- E24 #6-32 1/4" flat
- McMaster-Carr 91099A205
- E25 #4-40 3/16" flat
- E26 #4-40 3/16" flat
- E27 #4-40 3/16" flat
- E28 #4-40 3/16" flat
- E29 #4-40 3/16" flat
- E30 #4-40 3/16" flat
- E31 #4-40 3/16" flat
- E32 #4-40 3/16" flat
- E33 #4-40 3/16" flat
- E34 #4-40 3/16" flat
- E35 #4-40 3/16" flat
- E36 #4-40 3/16" flat
- E37 #4-40 3/16" flat
- E38 #4-40 3/16" flat
- E39 #4-40 3/16" flat
- E40 #4-40 3/16" flat
- E41 #4-40 3/16" flat
- E42 #4-40 3/16" flat
- E43 #4-40 3/16" flat
- E44 #4-40 3/16" flat
- E45 #4-40 3/16" flat
- E46 #4-40 3/16" flat
- PN1 1U chassis
LIGO
D070012-A
- E47 #4-40 3/16" flat
- E48 #4-40 3/16" flat
- E49 #4-40 3/16" flat
- E50 #4-40 3/16" flat
- E51 #4-40 3/16" flat
- E52 #4-40 3/16" flat
- E53 #4-40 3/16" flat
- E54 #4-40 3/16" flat
- E55 #4-40 3/16" flat
- E56 #4-40 3/16" flat
- E57 #4-40 3/16" flat
- E58 #4-40 3/16" flat
- E59 #4-40 3/16" flat
- E60 #4-40 3/16" flat
- E61 #4-40 3/16" flat
- E62 #4-40 3/16" flat
- E63 #4-40 3/16" flat
- E64 #4-40 3/16" flat
- E65 #4-40 3/16" flat
- E66 #4-40 3/16" flat
- E67 #4-40 3/16" flat
- E68 #4-40 3/16" flat
- PN2 Front Panel
LIGO
D1201353-v2
- PN3 Rear Panel
LIGO
D1201354-v2

Title Controls Concentrator Aux 5 Assembly		
Size A	Number D1201352	Revision 2
Date: 1/8/2013	Sheet 1 of 1	Drawn By: Daniel Sigg
File: C:\Users\...\ConcentratorAux5Assembly1.SchDoc		

Cable Assembly for Dual Photodiode Amplifier



E69	Female pin	E81 (E77)	Male pin
E70	Female pin	E82 (E78)	Male pin
E71	Female pin	E83 (E79)	Male pin
E72	Female pin	E84 (E80)	Male pin
E73	Female pin	E85	Male pin
E74	Female pin	E86	Male pin
E75	Female pin	E87	Male pin
E76	Female pin	E88	Male pin
E77 (E73)	Female pin	E89 (E81)	Male pin
E78 (E74)	Female pin	E90 (E82)	Male pin
E79 (E75)	Female pin	E91 (E83)	Male pin
E80 (E76)	Female pin	E92 (E84)	Male pin
Digi-Key WM8345-ND		Digi-Key WM8344-ND	

Title Controls Concentrator Aux 5 Assembly			
Size A	Number D1201352	Revision 2	
Date: 1/8/2013	Sheet 2 of 2		Drawn By: Daniel Sigg
File: C:\Users\...\ConcentratorAux5Assembly2.SchDoc			