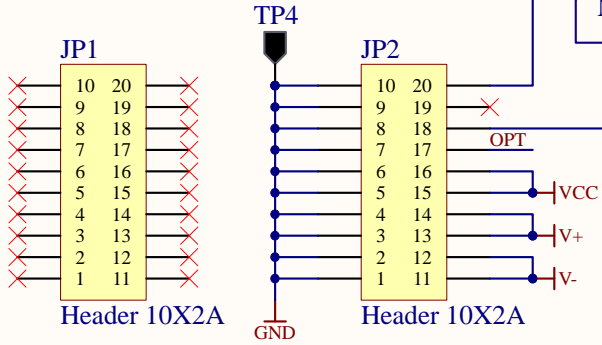




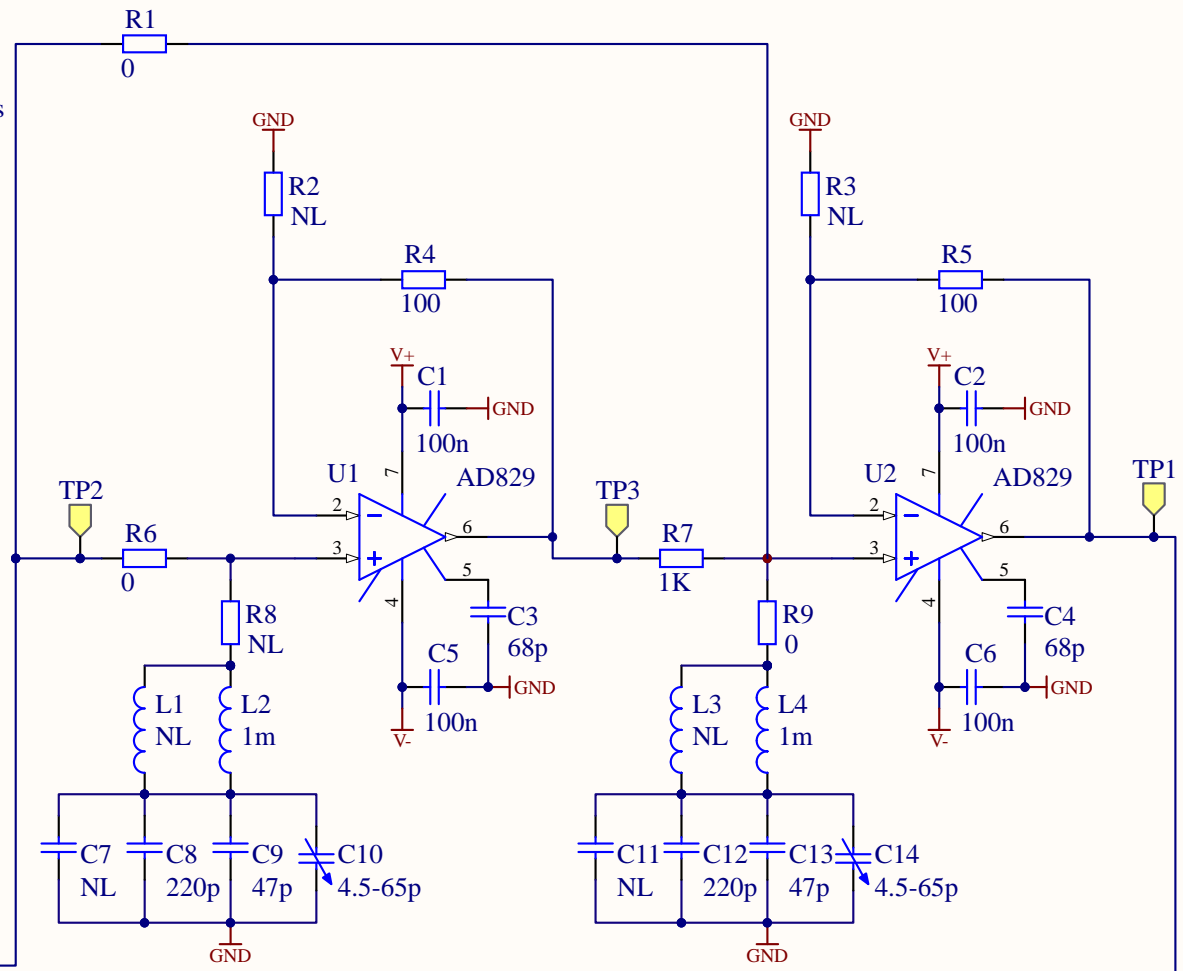
Only for boards without standoffs

- PN1 M3 standoff, 12mm
- PN2 M3 standoff, 12mm
- PN3 M3 standoff, 12mm
- PN4 M3 standoff, 12mm
- Digi-Key 24434K-ND
- PN5 M3 pan, 8mm
- PN6 M3 lock washer
- PN7 M3 pan, 8mm
- PN8 M3 lock washer
- PN9 M3 pan, 8mm
- PN10 M3 lock washer
- PN11 M3 pan, 8mm
- PN12 M3 lock washer

- PN13 M3 pan, 8mm
- PN14 M3 lock washer
- PN15 M3 pan, 8mm
- PN16 M3 lock washer
- PN17 M3 pan, 8mm
- PN18 M3 lock washer
- PN19 M3 pan, 8mm
- PN20 M3 lock washer
- Digi-Key H743-ND
- Digi-Key H772-ND



CM daughter board



Title			PZT Notch for Higher Frequencies		
Size	Number	Revision			
A	D1201404	1			
Date:	3/13/2013	Sheet 1 of 1			
File:	D:\Users\...\PZTNotch1.SchDoc	Drawn By:		Daniel Sigg	