

- | | |
|----------------------------|---------------------|
| PN1 connector | PN2 Front Panel |
| Newark
10B6044 | LIGO
D1201417-v1 |
| H1 Handle, 3" | PN3 Rear Panel |
| H2 Handle, 3" | LIGO
D1201418-v1 |
| Mouser
534-9109 | PN4 DA-9 cable |
| H3 Ferrule | H7MXH-0906G-ND |
| H4 Ferrule | PN5 DA-9 cable |
| H5 Ferrule | H7FXH-0906G-ND |
| H6 Ferrule | PN6 DA-25 cable |
| Mouser
534-9121 | H7FXH-2506G-ND |
| M1 #6-32 3/8" flat | PN7 DA-25 cable |
| M2 #6-32 3/8" flat | H7MXH-2506G-ND |
| M3 #6-32 3/8" flat | PN8 IDC receptacle |
| M4 #6-32 3/8" flat | 73K6219 |
| McMaster-Carr
91099A215 | PN9 IDC receptacle |
| | 73K6219 |
| | PN10 IDC receptacle |
| | 73K6224 |
| | PN11 IDC receptacle |
| | 73K6224 |

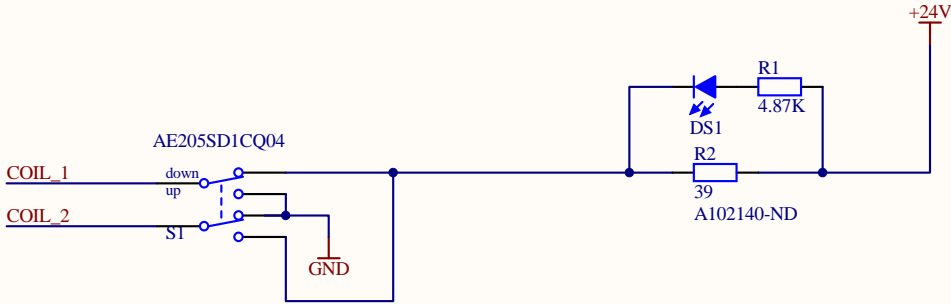
- | |
|-------------------|
| H7 Standoff M-F |
| H8 Standoff M-F |
| H9 Standoff M-F |
| H10 Standoff M-F |
| H11 Standoff M-F |
| H12 Standoff M-F |
| H13 Standoff M-F |
| H14 Standoff M-F |
| H15 Standoff M-F |
| H16 Standoff M-F |
| H17 Standoff M-F |
| H18 Standoff M-F |
| Newark
56K3066 |

- | |
|-------------------|
| PN12 Banana jack |
| Newark
39F1574 |
| H19 Standoff F-F |
| H20 Standoff F-F |
| H21 Standoff F-F |
| H22 Standoff F-F |
| H23 Standoff F-F |
| H24 Standoff F-F |
| Newark
56K3039 |

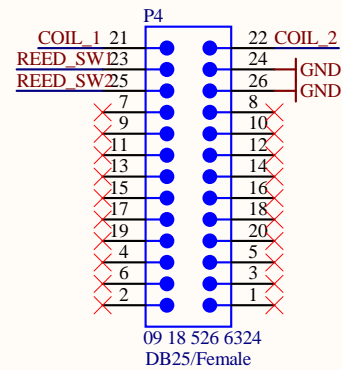
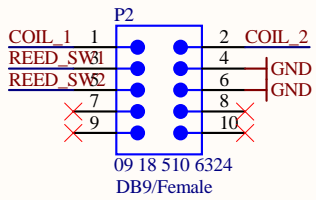
- | |
|-------------------|
| PN13 Banana jack |
| Newark
39F1575 |
| M5 M4-8mm, flat |
| M6 M4-8mm, flat |
| M7 M4-8mm, flat |
| M8 M4-8mm, flat |
| M9 M4-8mm, flat |
| M10 M4-8mm, flat |

- | |
|----------------------------|
| PN14 Jack screw |
| PN15 Jack screw |
| M11 M4-8mm, flat |
| M12 M4-8mm, flat |
| M13 M4-8mm, flat |
| M14 M4-8mm, flat |
| M15 M4-8mm, flat |
| M16 M4-8mm, flat |
| McMaster-Carr
91420A218 |

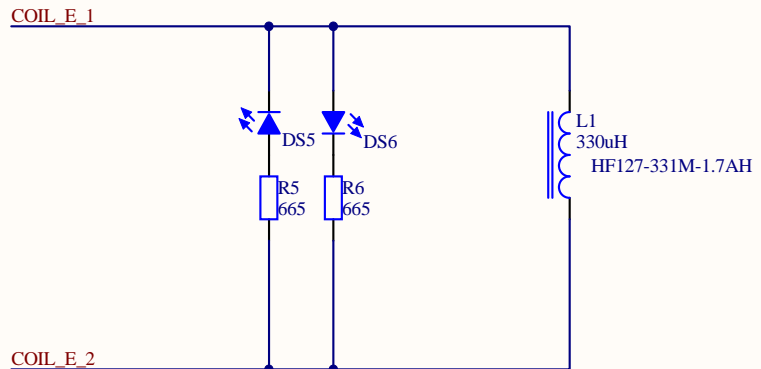
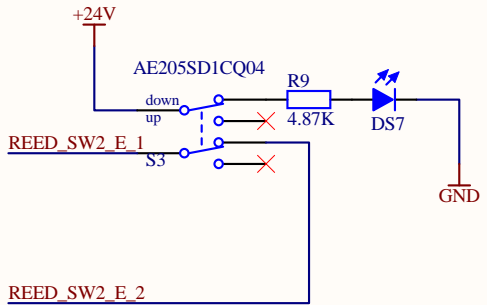
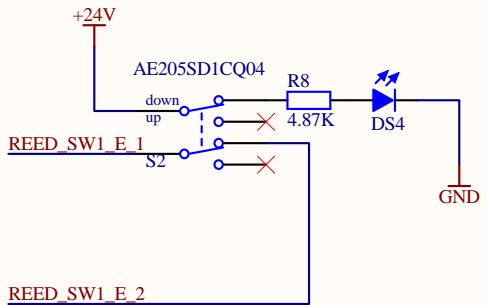
Title EtherCAT - Beam Diverter Tester		
Size A	Number D1201416	Revision 1
Date:	12/3/2012	Sheet 1 of 3
File:	C:\Users\...\BeamDiverter_Tester1.SchDoc Drawn By:Jaclyn Sanders	



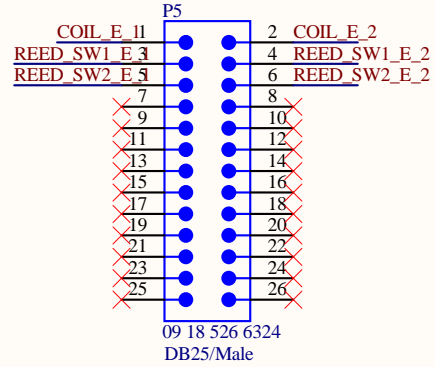
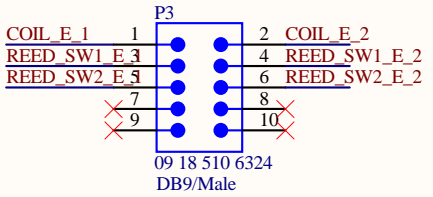
- PN16
- LED lens cap
- PN17
- LED lens cap
- PN18
- LED lens cap



Title		
EtherCAT - Beam Diverter Tester		
Size	Number	Revision
A	D1201416	1
Date:	12/3/2012	Sheet 2 of 3
File:	C:\Users\...\BeamDiverter_Tester2.SchDoc	Drawn By: Jaclyn Sanders



- PN19
- LED lens cap
- PN20
- LED lens cap
- PN21
- LED lens cap
- PN22
- LED lens cap



Title		
EtherCAT - Beam Diverter Tester		
Size	Number	Revision
A	D1201416	1
Date:	12/3/2012	Sheet 3 of 3
File:	C:\Users\...\BeamDiverter_Tester3.SchDoc	Drawn By:Jaclyn Sanders