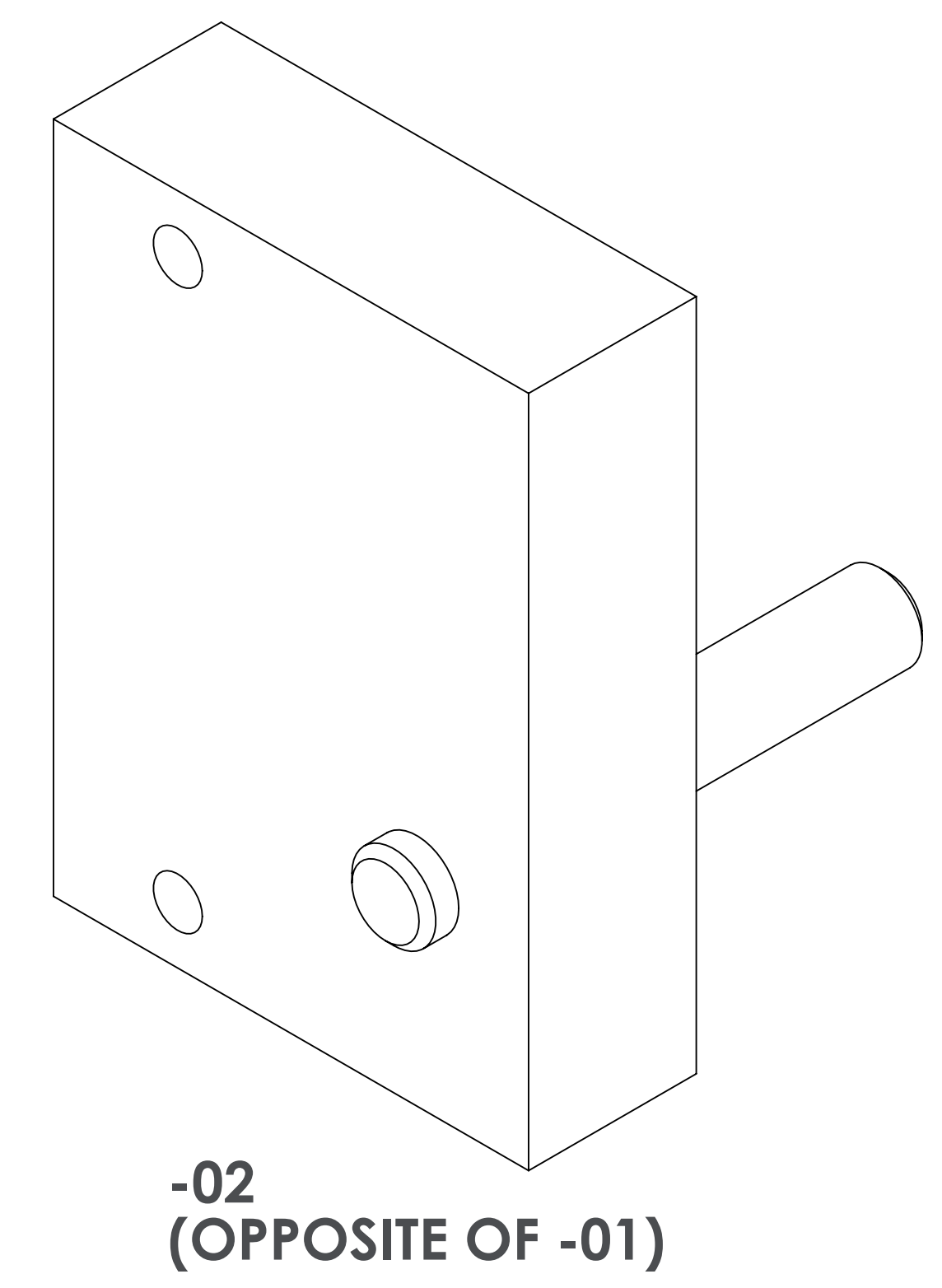
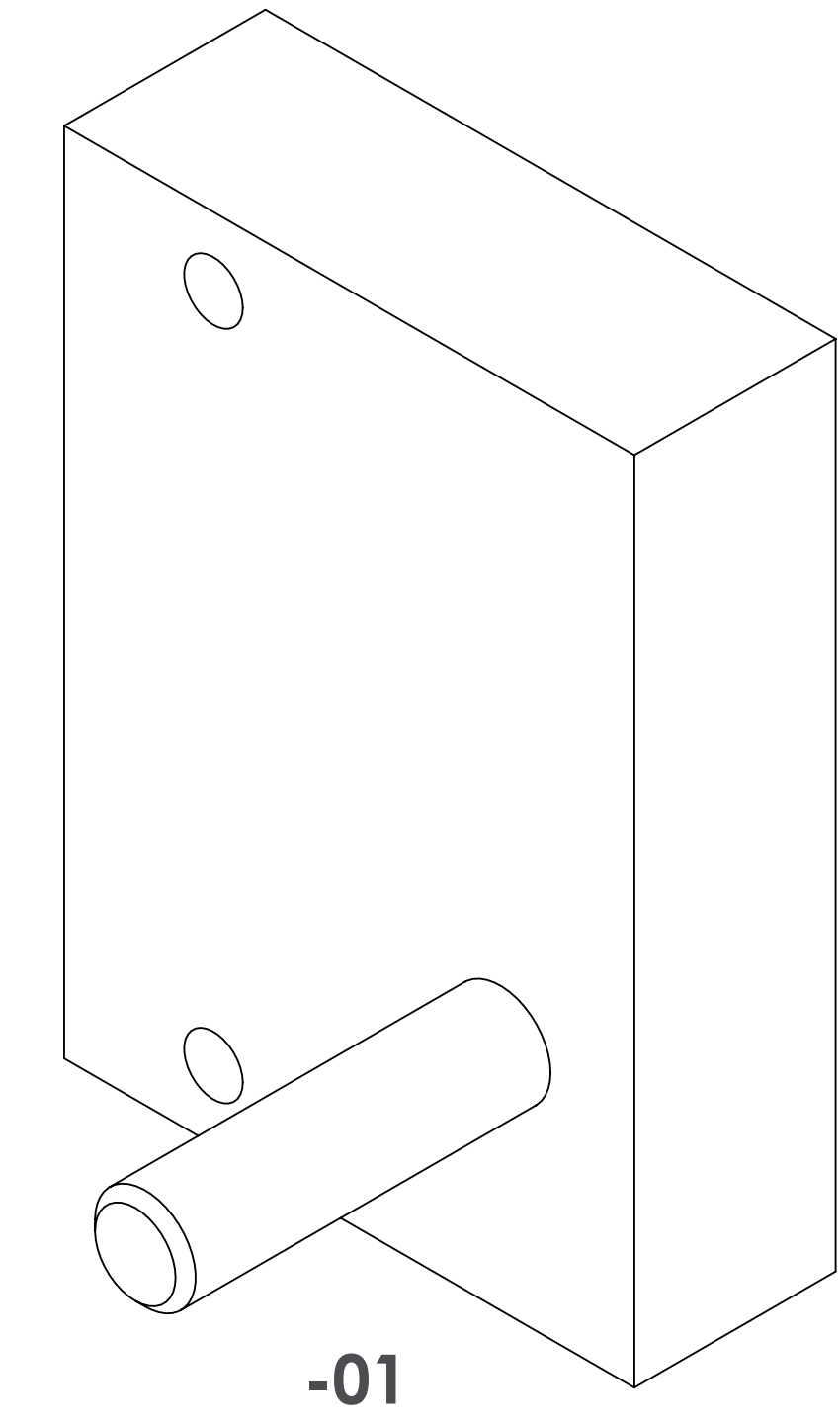
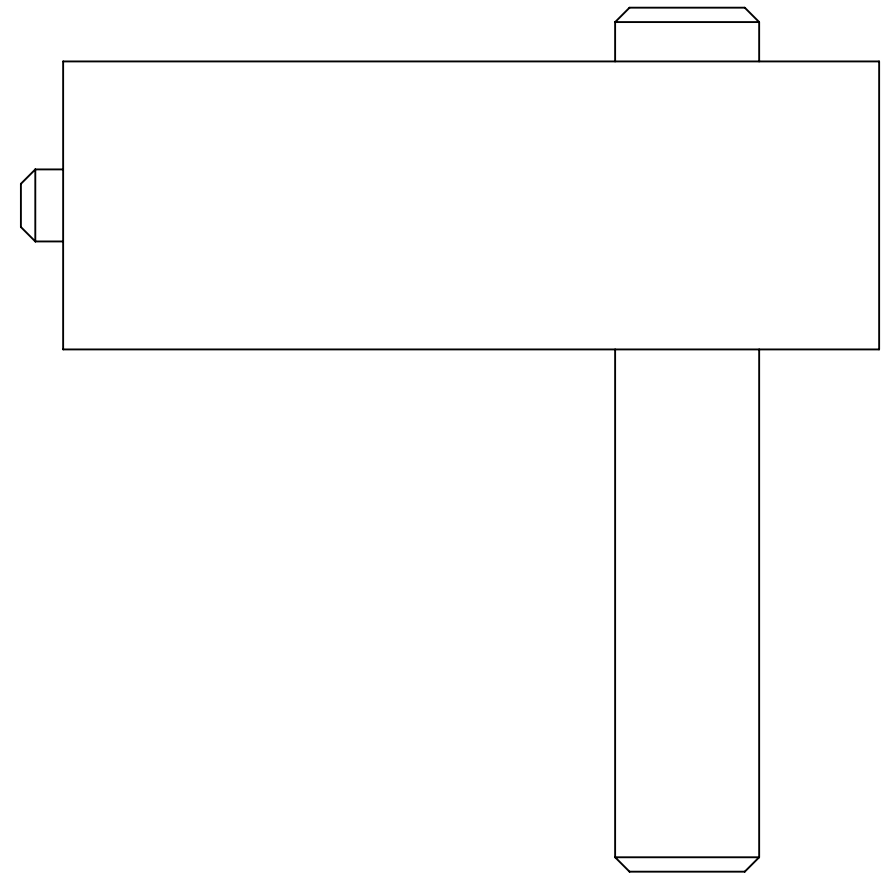
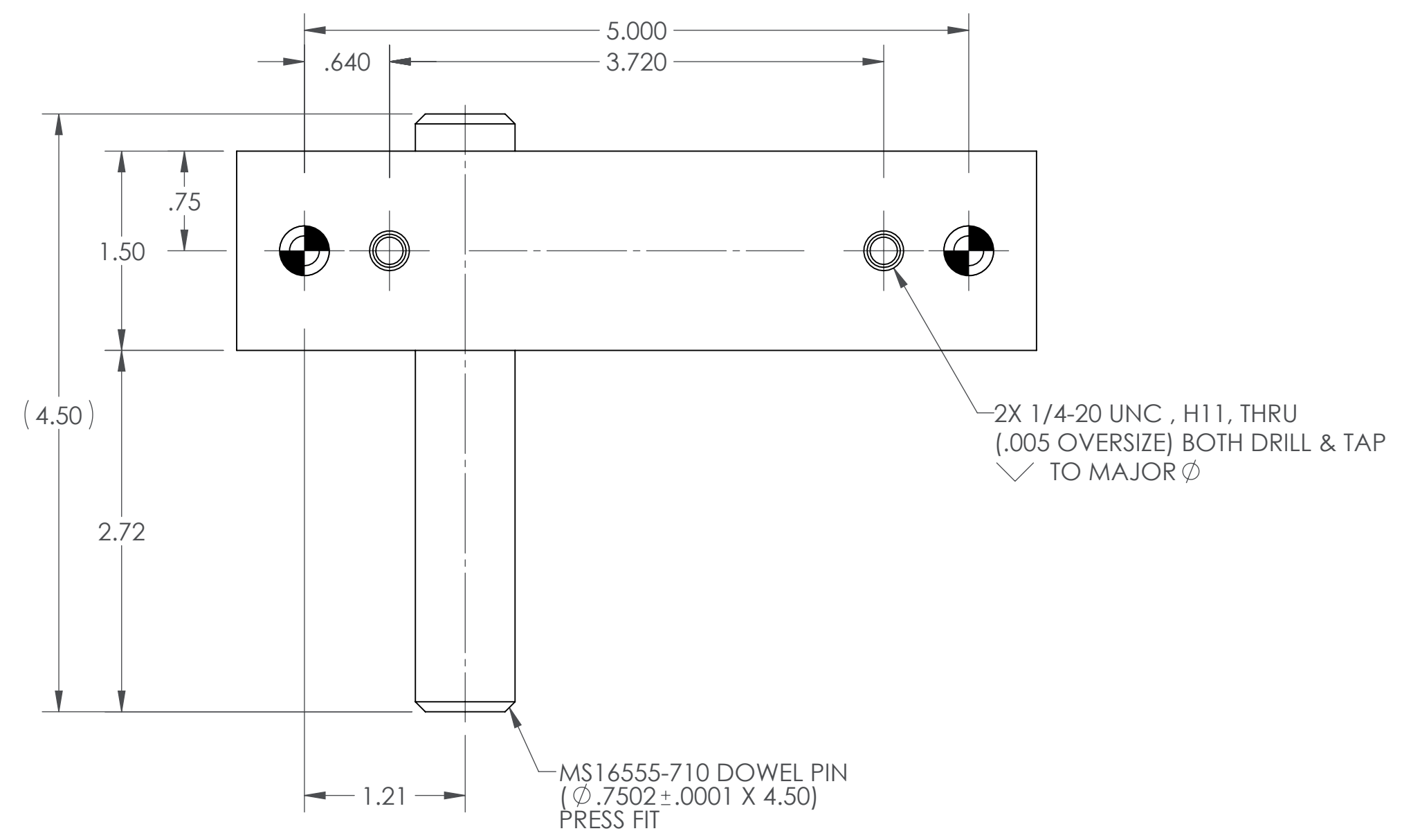
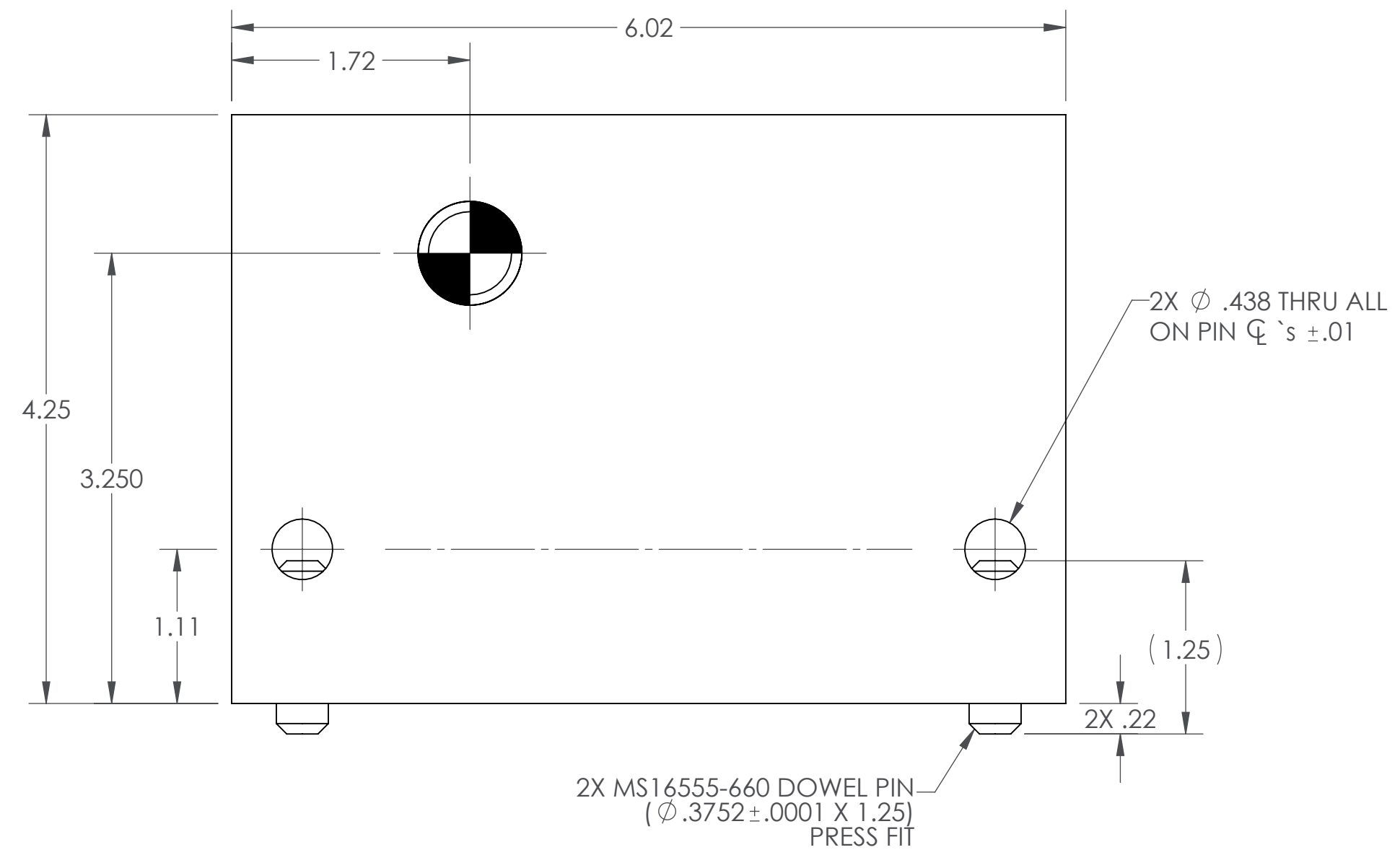


NOTES (CONTINUED):
4. WEIGHT: 3.83 LB.

REV.	DATE	DCN #	BOM #
v1	20 DEC 2012	-	-
v2	10 JAN 2013	-	-



**-01 SHOWN
-02 OPPOSITE
(SEE ISOMETRIC VIEWS)**

NOTES AND TOLERANCES: (UNLESS OTHERWISE SPECIFIED)				LIGO CALIFORNIA INSTITUTE OF TECHNOLOGY MASSACHUSETTS INSTITUTE OF TECHNOLOGY		PART NAME			
DIMENSIONS ARE IN INCHES		1. INTERPRET DRAWING PER ASME Y14.5-1994. 2. REMOVE ALL SHARP EDGES, .03 MIN. 3. DO NOT SCALE FROM DRAWING.		SYSTEM		SUB-SYSTEM		aLIGO PCAL TOOLING, PERISCOPE PRE-ALIGNMENT TIP AXIS PIVOT	
TOLERANCES: .XX ± .01 .XXX ± .005		MATERIAL		NEXT ASSY		DESIGNER		R. SAVAGE 20 DEC 2012	
ANGULAR ± 1.0°		6061-T6 Al		D1201576		DRAFTER		C. CONLEY 20 DEC 2012	
		FINISH				CHECKER		D	
		N/A				APPROVAL		D1201578	
						SCALE: NONE		PROJECTION:	
								SHEET 1 OF 1	

D1201576 aLIGO PCAL TOOLING, Periscope Pre-Alignment Tip Axis Pivot, PART PDM REV: X-010, DRAWING PDM REV: X-009