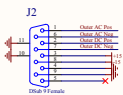
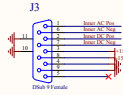


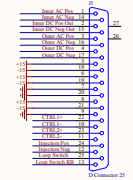
Out-of-Loop PD



In-Loop PD

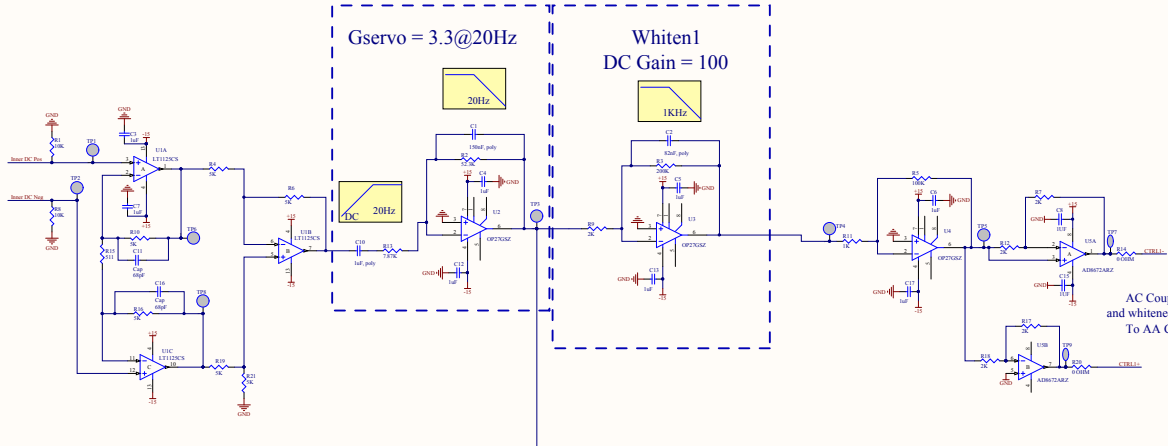


To Back Board



Gservo = 3.3@20Hz

Whiten1
DC Gain = 100

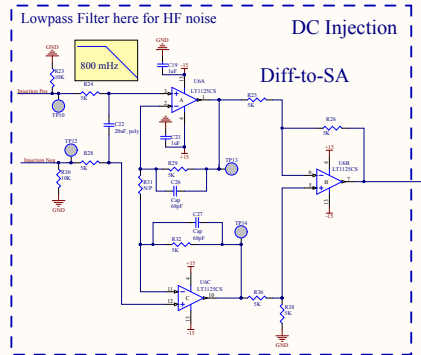


AC Coupled
and whitened Output
To AA Chassis

Lowpass Filter here for HF noise

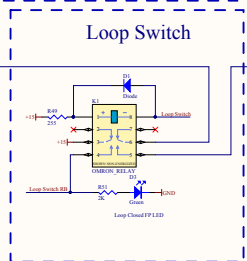
DC Injection

Diff-to-SA



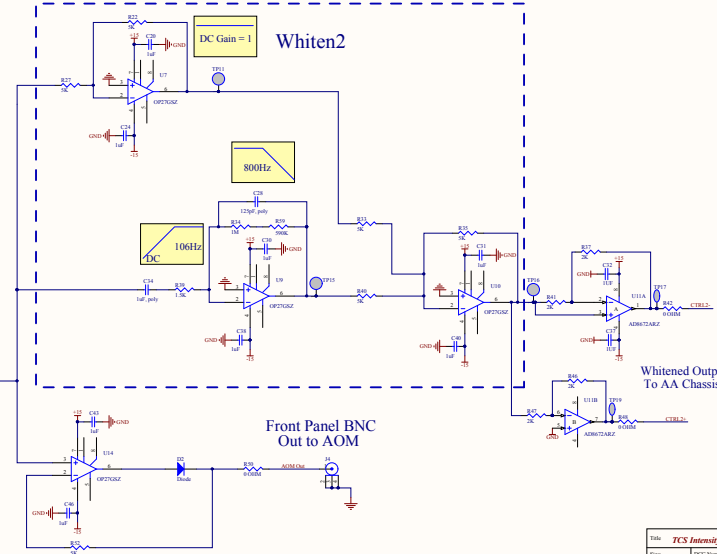
Summing node

Loop Switch



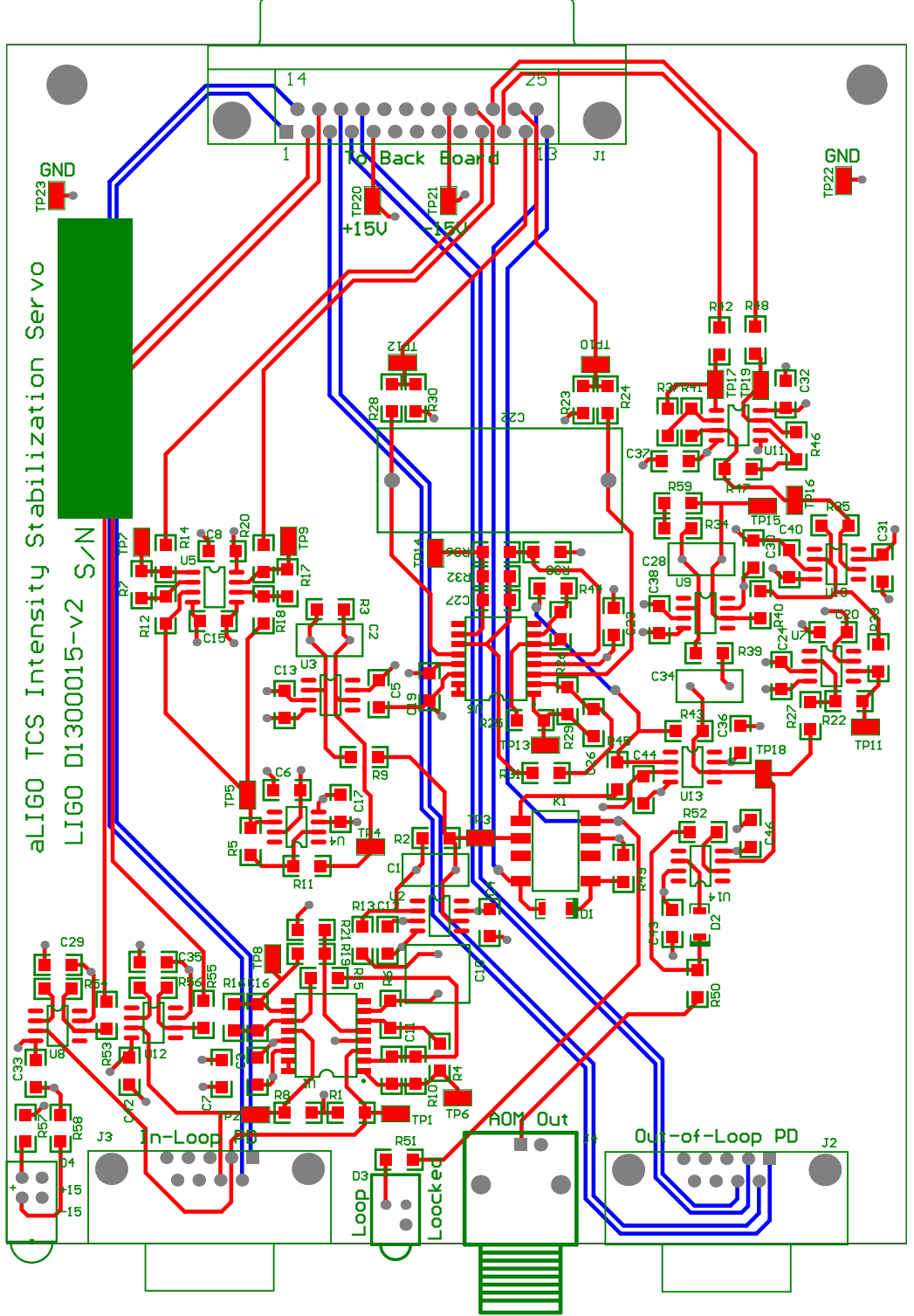
Whiten2

DC Gain = 1



Whitened Output
To AA Chassis

Front Panel BNC
Out to AOM



aLI60 TCS Intensity Stabilization Servo
LIG0 D1300015-v2 S/N

14 25
1 13 J1
Back Board

TP23 GND

TP20 +15V
TP21 -15V

TP22 GND

J3 In-Loop PD

Loop D3
Looped

ROM Out

Out-of-Loop PD J2

C33

R67

U8

R62

R56

C32

R12

R11

R10

R9

R8

R7

R6

R5

R4

R3

R2

R1

C1

C2

C3

C4

C5

C6

C7

C8

C9

C10

C11

C12

C13

C14

C15

C16

C17

C18

C19

C20

C33

R67

U8

R62

R56

C32

R12

R11

R10

R9

R8

R7

R6

R5

R4

R3

R2

R1

C1

C2

C3

C4

C5

C6

C7

C8

C9

C10

C11

C12

C13

C14

C15

C16

C17

C18

C19

C20

C33

R67

U8

R62

R56

C32

R12

R11

R10

R9

R8

R7

R6

R5

R4

R3

R2

R1

C1

C2

C3

C4

C5

C6

C7

C8

C9

C10

C11

C12

C13

C14

C15

C16

C17

C18

C19

C20

C33

R67

U8

R62

R56

C32

R12

R11

R10

R9

R8

R7

R6

R5

R4

R3

R2

R1

C1

C2

C3

C4

C5

C6

C7

C8

C9

C10

C11

C12

C13

C14

C15

C16

C17

C18

C19

C20

C33

R67

U8

R62

R56

C32

R12

R11

R10

R9

R8

R7

R6

R5

R4

R3

R2

R1

C1

C2

C3

C4

C5

C6

C7

C8

C9

C10

C11

C12

C13

C14

C15

C16

C17

C18

C19

C20

C33

R67

U8

R62

R56

C32

R12

R11

R10

R9

R8

R7

R6

R5

R4

R3

R2

R1

C1

C2

C3

C4

C5

C6

C7

C8

C9

C10

C11

C12

C13

C14

C15

C16

C17

C18

C19

C20

C33

R67

U8

R62

R56

C32

R12

R11

R10

R9

R8

R7

R6

R5

R4

R3

R2

R1

C1

C2

C3

C4

C5

C6

C7

C8

C9

C10

C11

C12

C13

C14

C15

C16

C17

C18

C19

C20

C33

R67

U8

R62

R56

C32

R12

R11

R10

R9

R8

R7

R6

R5

R4

R3

R2

R1

C1

C2

C3

C4

C5

C6

C7

C8

C9

C10

C11

C12

C13

C14

C15

C16

C17

C18

C19

C20