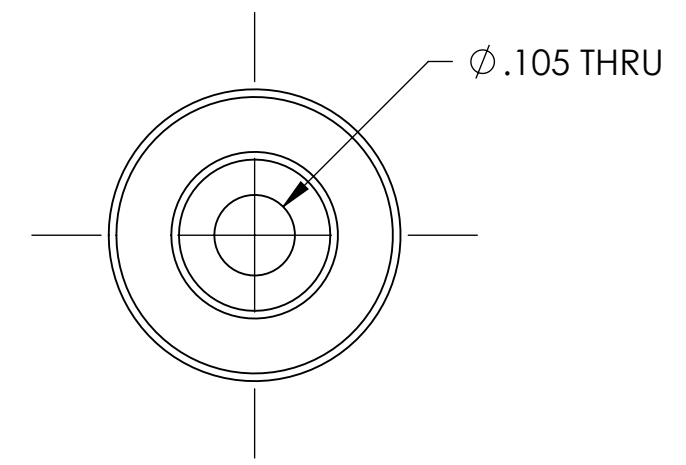
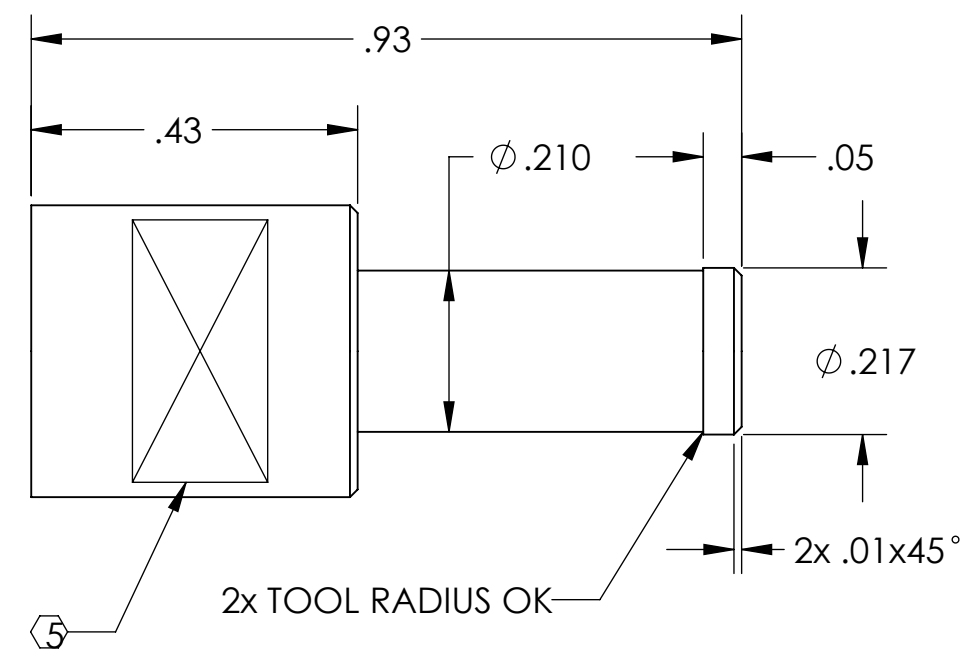
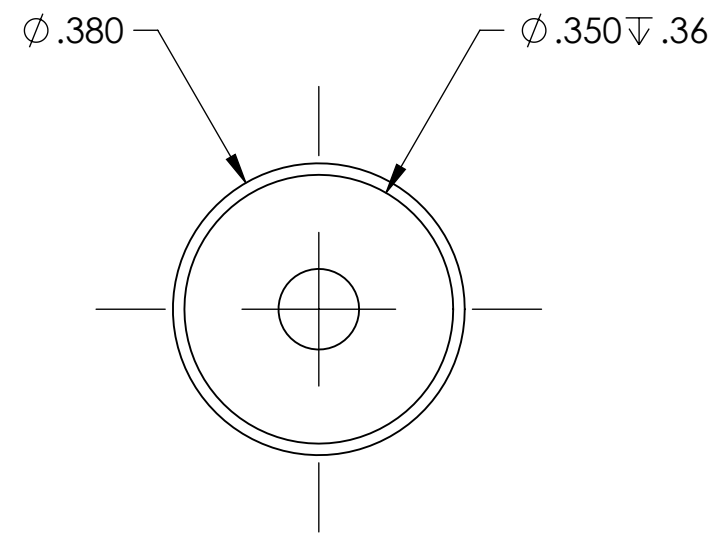
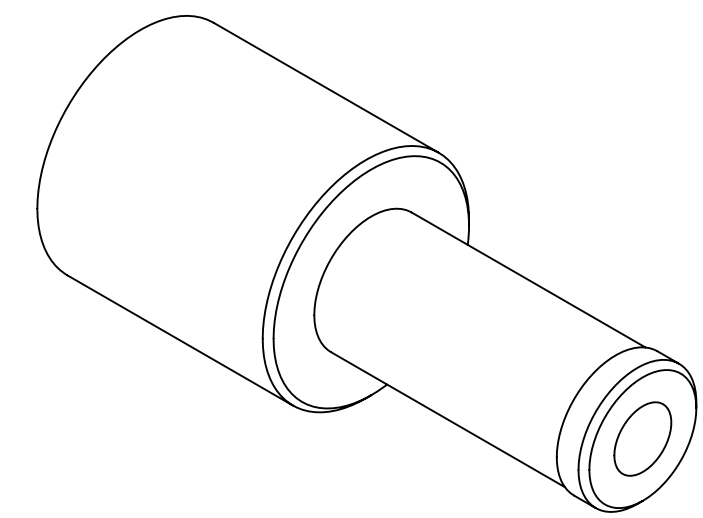


8 7 6 5 4 3 2 1

NOTES CONTINUED:
 5. SCRIBE, ENGRAVE, OR MECHANICALLY STAMP (NO INKS OR DYES) DRAWING PART NUMBER, REVISION (AND VARIANT OR "TYPE" IF APPLICABLE) ON NOTED SURFACE OF PART FOLLOWED ON THE NEXT LINE WITH A THREE DIGIT SERIAL NUMBER. SERIAL NUMBERS START AT 001 FOR THE FIRST ARTICLE AND PROCEED CONSECUTIVELY. USE MINIMUM 0.12" HIGH CHARACTERS, UNLESS THE SIZE OF THE PART DICTATES SMALLER CHARACTERS. A VIBRATORY TOOL MAY BE USED.
 EXAMPLE: DXXXXXX-VY, TYPE-XX, S/N XXX

6. APPROXIMATE WEIGHT = 1.15 g.
 7. MACHINE ALL SURFACES TO REMOVE OXIDES AND MILL FINISH. USE OF ABRASIVE REMOVAL TECHNIQUES IS NOT ALLOWED.
 8. ALL PARTS SHALL BE MANUFACTURED IN ACCORDANCE WITH LIGO SPECIFICATION E0900364.

REV.	DATE	DCN #	DRAWING TREE #
v1	18 JAN 2013	E1300068-x0	-
-	-	-	-
-	-	-	-



D1300046 aLIGO OMC ADAPTER, CABLE, PART PDM REV: X-000, DRAWING PDM REV: X-000

NOTES AND TOLERANCES: (UNLESS OTHERWISE SPECIFIED)				LIGO CALIFORNIA INSTITUTE OF TECHNOLOGY MASSACHUSETTS INSTITUTE OF TECHNOLOGY		PART NAME	
DIMENSIONS ARE IN TOLERANCES: .XX ± .01 .XXX ± .005 ANGULAR ± 1°				1. INTERPRET DRAWING PER ASME Y14.5-1994. 2. REMOVE ALL SHARP EDGES .005-.015 3. DO NOT SCALE FROM DRAWING. 4. ALL MACHINING FLUIDS MUST BE FULLY SYNTHETIC, FULLY WATER SOLUBLE AND FREE OF SULFUR, SILICONE, AND CHLORINE.		aLIGO OMC ADAPTER, CABLE	
MATERIAL 6061-T6 FINISH 63 μinch				SYSTEM ADVANCED LIGO SUB-SYSTEM ISC		DESIGNER J.LEWIS 18 JAN 2013 SIZE DWG. NO. B D1300046 REV. v1	
				NEXT ASSY		DRAFTER J.LEWIS 18 JAN 2013 CHECKER APPROVAL SCALE: 4:1 PROJECTION: SHEET 1 OF 1	

8 7 6 5 4 3 2 1