



M12/M8:
 Pin 1: Brown
 Pin 2: White
 Pin 3: Blue
 Pin 4: Black

Vs: EtherCAT supply
 Vp: Auxiliary supply

PN1 Enclosure Digi-Key HM600-ND	PN2 Feedthrough panel Left side LIGO D1201535-v1	PN3 Wire nut, grey PN5 Wire nut, grey PN8 Wire nut, grey PN11 Wire nut, grey PN14 Wire nut, grey PN18 Wire nut, grey	PN4 Wire nut, grey PN6 Wire nut, grey PN9 Wire nut, grey PN12 Wire nut, grey PN15 Wire nut, grey PN19 Wire nut, grey PN20 Wire nut, grey
PN7 M4x16 screw PN10 M4x16 screw PN13 M4x16 screw PN16 M4x16 screw McMaster-Carr 91420A226	PN? Feedthrough panel Right side LIGO D1201540-v1		
	PN17 Grommet strip Digi-Key RP816-ND		

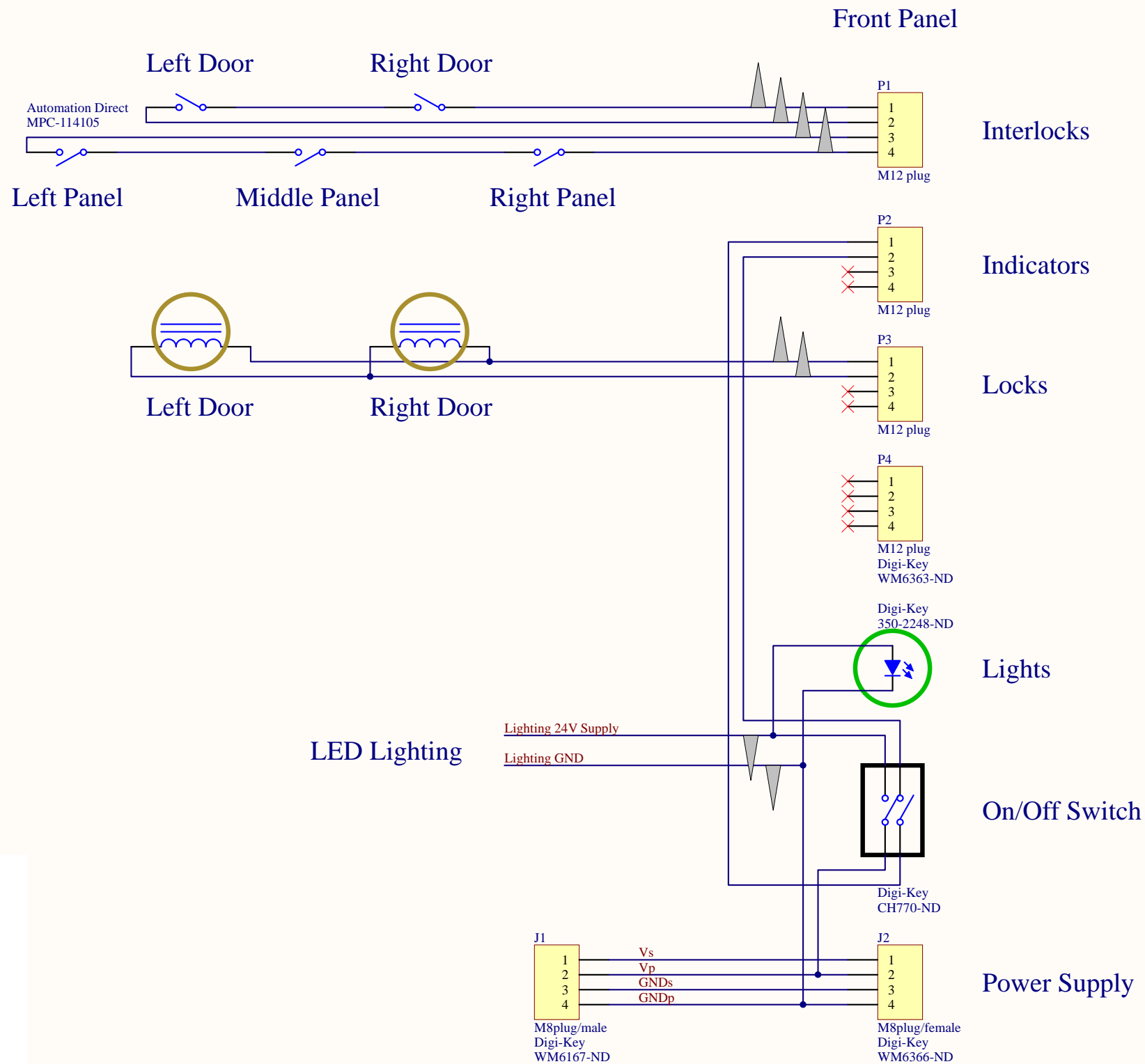
If the feedthrough panel is located on the left side of the optical table enclosure, use LIGO-D1201535-v1. Use LIGO-D1201540-v1 on the right side.

Drill holes into the enclosure HM600-ND to allow for cable feedthrough inside. Use grommet strip to cover edges.

Wire nuts minimum is 2 x AWG 22
 M12 are AWG 22
 M8 are AWG 24
 LED is AWG 18

Solder wires to on/off switch where possible.

Solder and tape Vs/GNDs.



Title Table Enclosure Interlocks/Lighting		
Size B	Number D1300059	Revision 1
Date: 3/15/2013	Sheet 1 of 1	
File: D:\Users\...\TableEnclosure1.SchDoc	Drawn By: Daniel Sigg	