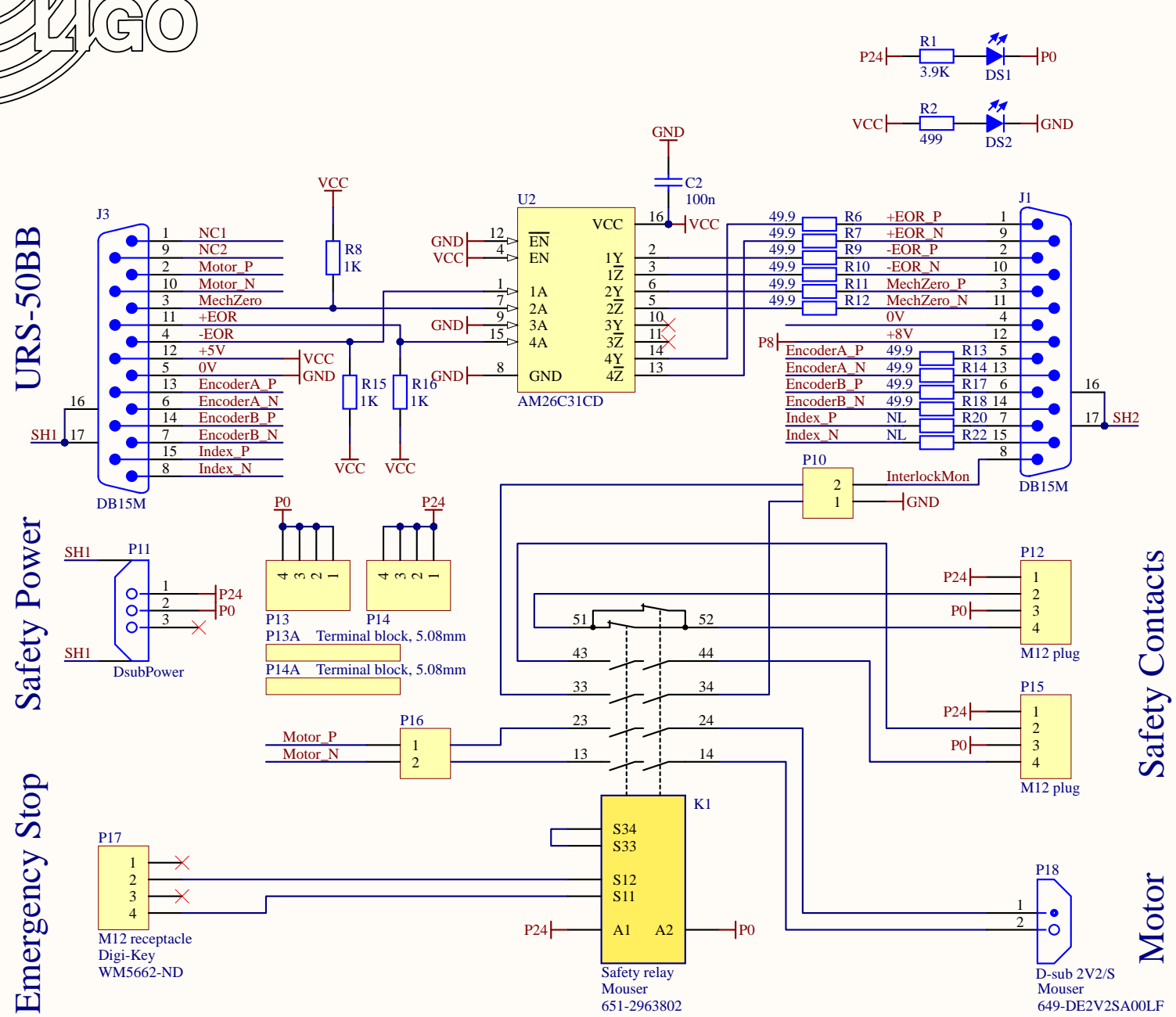


URS-50BB

Safety Power

Emergency Stop

Motor side



PN1	Pin
PN3	Socket
Mouser 649-8638PPS2005LF	

Controls Interface

Safety Contacts

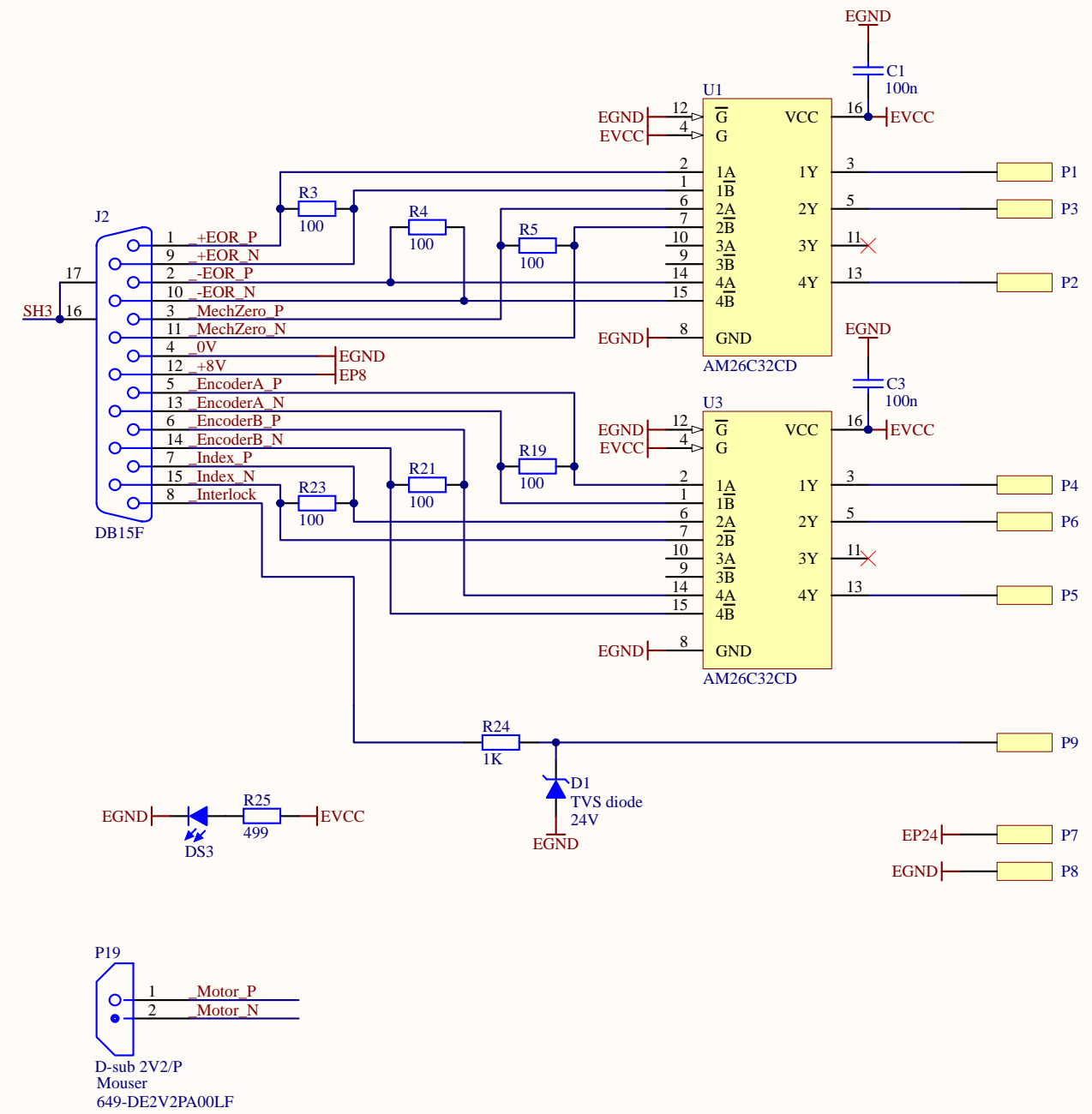
Motor Supply

PN2	Socket
PN4	Pin
Mouser 649-8638PSS2005LF	

Connect shield of motor supply on this side.
8V supply is 200mA max.
Twist hook-up wires for supplies.

P18/1: Motor A/B A1
P18/2: Motor A/B A2
P3: Input 1/2 I1/I2
P4: Encoder A/B Phase A
P5: Encoder A/B Phase B
P7: +24V supply, positive
P8: +24V supply, ground
P9: Interlock monitor

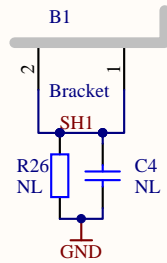
EtherCAT side



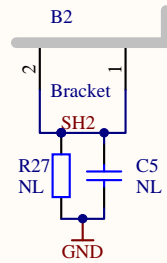
Title EtherCAT Rotation Stage Interface		
Size B	Number D1300131	Revision 1
Date: 3/1/2013	Sheet 1 of 2	
File: D:\Users\...\EtherCAT_RotationStage1.Sch	Drawn By: Daniel Sigg	



- H1 #4 screw, 3/8"
- H4 #4 screw, 3/8"
- McMaster-Carr 90272A108
- H7 #4 lock washer
- H10 #4 lock washer
- McMaster-Carr 91113A005
- H13 #4 nut
- H16 #4 nut
- McMaster-Carr 90480A005



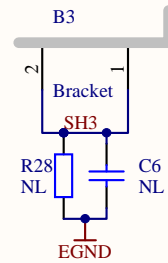
- H2 #4 screw, 3/8"
- H5 #4 screw, 3/8"
- McMaster-Carr 90272A108
- H8 #4 lock washer
- H11 #4 lock washer
- McMaster-Carr 91113A005
- H14 #4 nut
- H17 #4 nut
- McMaster-Carr 90480A005



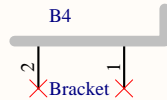
- M1
- Front panel LIGO D1300171-v1
- M2
- Rear panel LIGO D1300172-v1
- M3
- Bottom panel LIGO D1300173-v1
- M4
- Top panel LIGO D1300174-v1
- M5
- Mounting panel LIGO D1300175-v1
- M6
- Mounting panel LIGO D1300175-v1

- M2
- Front panel, rack-mountable LIGO D1300170-v1
- Alternate

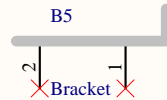
- H3 #4 screw, 3/8"
- H6 #4 screw, 3/8"
- McMaster-Carr 90272A108
- H9 #4 lock washer
- H12 #4 lock washer
- McMaster-Carr 91113A005
- H15 #4 nut
- H18 #4 nut
- McMaster-Carr 90480A005



- H19 #4 screw, 3/8"
- H23 #4 screw, 3/8"
- McMaster-Carr 90272A108
- H27 #4 lock washer
- H31 #4 lock washer
- McMaster-Carr 91113A005
- H35 #4 nut
- H38 #4 nut
- McMaster-Carr 90480A005



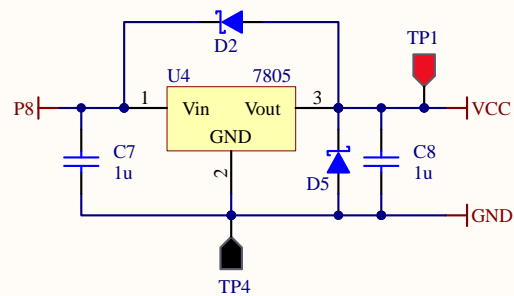
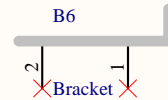
- H20 #4 screw, 3/8"
- H24 #4 screw, 3/8"
- McMaster-Carr 90272A108
- H28 #4 lock washer
- H32 #4 lock washer
- McMaster-Carr 91113A005
- H36 #4 nut
- H39 #4 nut
- McMaster-Carr 90480A005



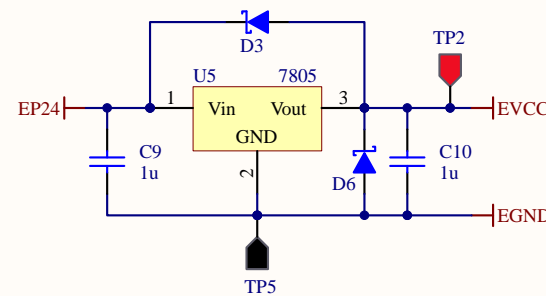
- M7
- Housing brackets Frontpanel Express GGWS0111
- M8
- Housing profile 1 Frontpanel Express GLGP2011-200mm M9
- Housing profile 1 Frontpanel Express GLGP2011-200mm
- M10
- Assembly kit ISP/B3.0-NI DIN 7982, nickel-plated Frontpanel Express GGMS1112
- M11
- Screw packet M3x6-965-NI DIN 965, nickel-plated Frontpanel Express GGRB2306

- H21
- Standoff M3x22mm H26
- Standoff M3x22mm H29
- Standoff M3x22mm H34
- Standoff M3x22mm Mouser 855-R30-1002202

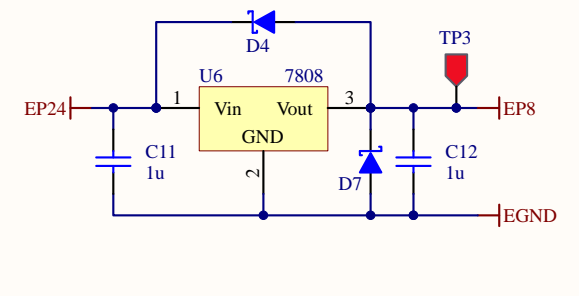
- H22 #4 screw, 3/8"
- H25 #4 screw, 3/8"
- McMaster-Carr 90272A108
- H30 #4 lock washer
- H33 #4 lock washer
- McMaster-Carr 91113A005
- H37 #4 nut
- H40 #4 nut
- McMaster-Carr 90480A005



- U4_B heatsink
- H43 #4 screw, 3/8"
- H46 #4 lock washer
- H49 #4 nut



- U5_B heatsink
- H41 #4 screw, 3/8"
- H44 #4 lock washer
- H47 #4 nut



- U6_B heatsink
- H42 #4 screw, 3/8"
- H45 #4 lock washer
- H48 #4 nut

Title		
EtherCAT Rotation Stage Interface		
Size	Number	Revision
B	D1300131	1
Date:	3/1/2013	Sheet 2 of 2
File:	D:\Users\...\EtherCAT_RotationStage2.SchDown By: Daniel Sigg	