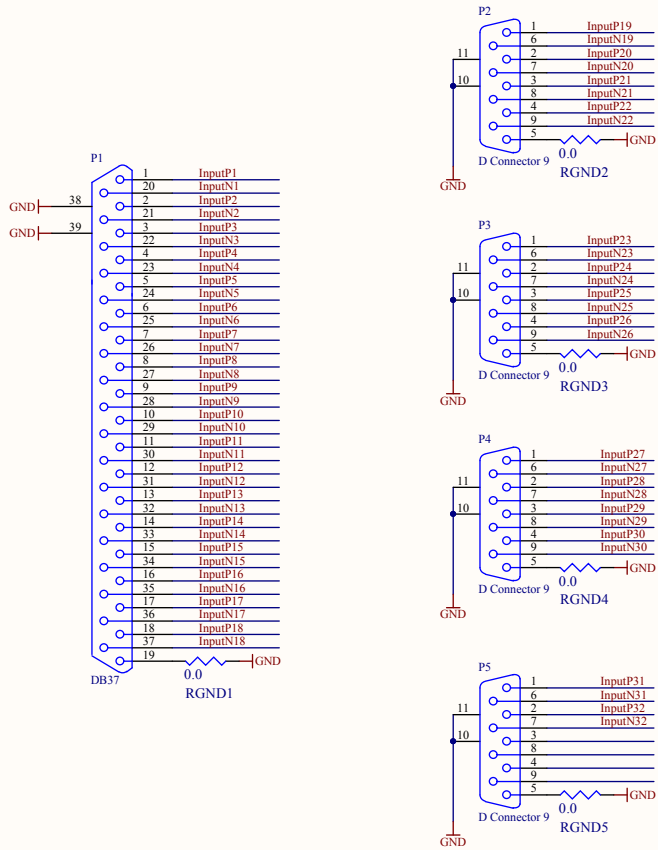
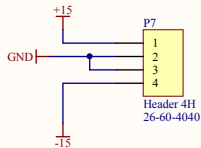
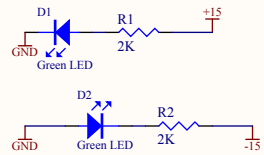
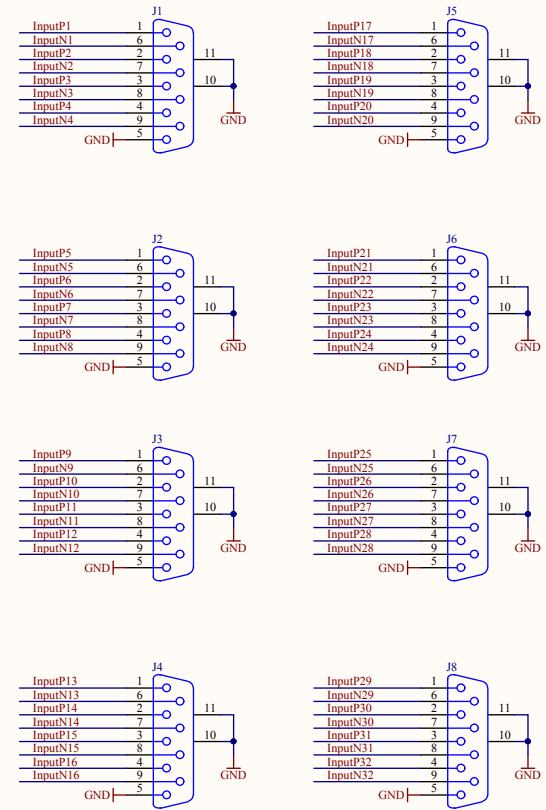


Inputs from Field



Diff Outputs to Filters



Title		LIGO Project California Institute of Technology Massachusetts Institute of Technology		LIGO [®]
Size: B		DCC Number: D1300213	SCH / PCB Revision: v1	
Date: 6/21/2013		Time: 10:04:29 AM		Sheet 1 of 1
File: C:\restored\Ben\AOS\TCS Stuff\TCSAA\Interface\TCSAA_Interface.SchDoc				

