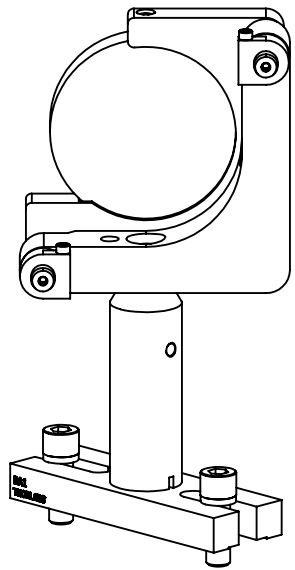


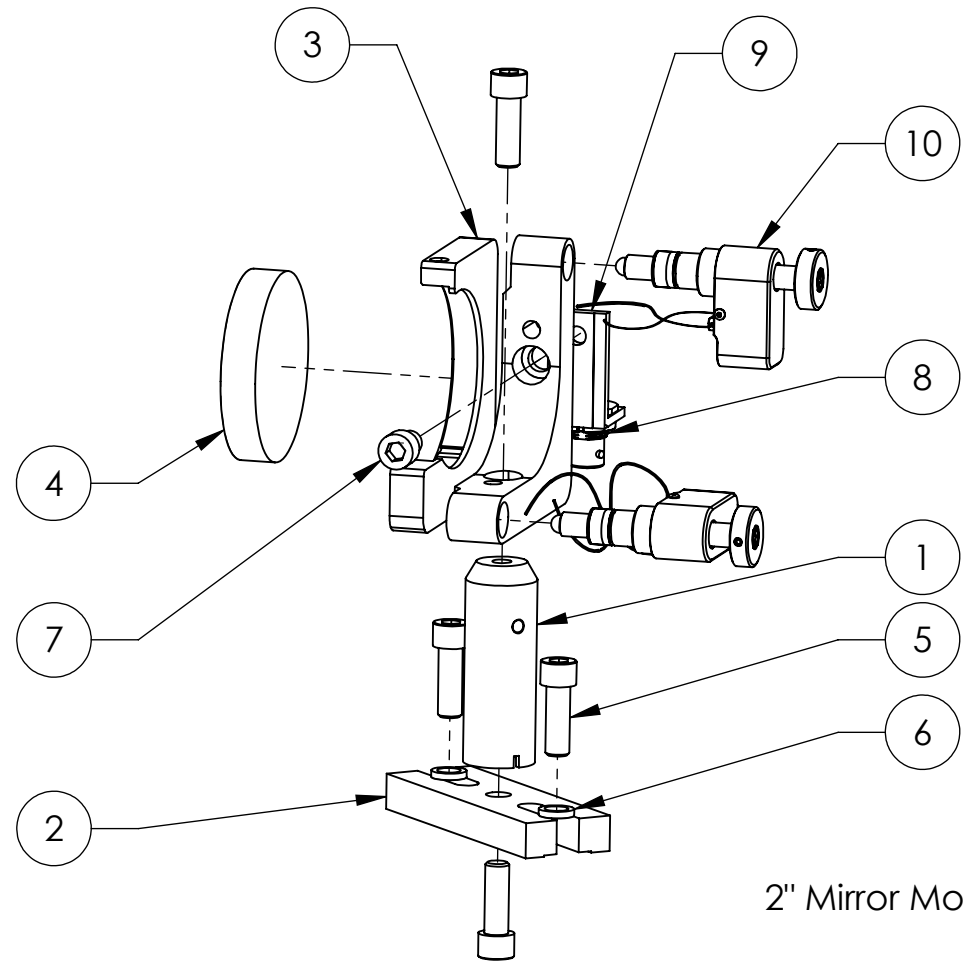
D1300230 2in. MIRROR MOUNT, LH HOLDER, 4in. BEAM HEIGHT, ISC, aLIGO, PART PDM REV: X-001, DRAWING PDM REV: X-000

NOTES CONTINUED:  

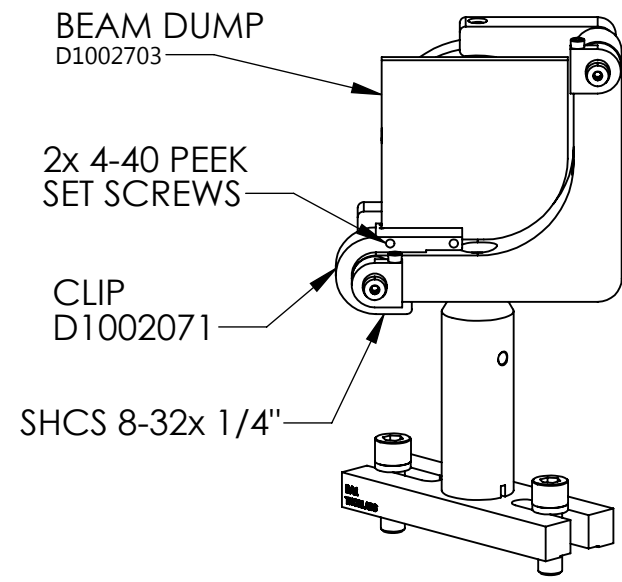
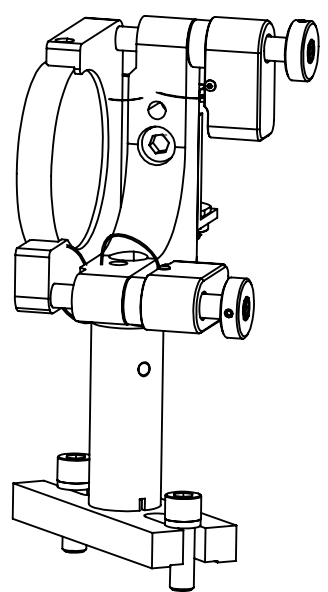

REV.	DATE	DCN #	DRAWING TREE #
-	-	-	-
-	-	-	-
-	-	-	-



2" Mirror Mount, LEFT HAND Holder, 4" Beam Height



2" Mirror Mount, LEFT HAND Holder, 4" Beam Height, +Pico Motors WITH PICO MOTORS





2" Mirror Mount, LEFT HAND Holder, 4" Beam Height WITH BEAM DUMP

ITEM NO.	PART NUMBER	DESCRIPTION	MATERIAL	45R Pico/QTY.	SPARE	TOTAL
10	8301UHV	NewFocus, PICO MOTOR	6061-T6 Al	2		0
9	D1002763	ISC Panel Bracket for Glenair Coupling	6061-T6 Al	1		0
8	SEE DESC.	SWPC_BNC_Glenair_803-003-07M6-4PN-598A	Material <not specified>	1		0
7	92196A534	SHCS 1/4"-20 X 0.313" 18-8 SST	18-8 SSSL	1		0
6		1/4" HIGH COLLAR LOCK WASHER, 18-8 SST	18-8 SSSL	2		0
5	MCMMASTER_92196 A540 or Equivalent	SHCS, 1/4"-20x0.75" (Fully Threaded)	18-8 SSSL	4		0
4		MIRROR	TRANSPARENT GLASS	1		0
3	ixm200.c2-LH	2" MIRROR MOUNT - LH	6061-T6 Al	1		0
2	D1002059	ISC MOUNTING BASE - DOUBLE	6061-T6 Al	1		0
1	D1000968	ISC Tall Mounting Post	6061-T6 Al	1		0

NOTES AND TOLERANCES: (UNLESS OTHERWISE SPECIFIED)

MATERIAL	N/A	FINISH	N/A μinch
----------	-----	--------	-----------

 CALIFORNIA INSTITUTE OF TECHNOLOGY MASSACHUSETTS INSTITUTE OF TECHNOLOGY		PART NAME 2" Mirror Mount, LEFT HAND Holder, 4" Beam Height	
SYSTEM ADVANCED LIGO	SUB-SYSTEM ISC	DESIGNER SBARNUM	DATE 11 MAR 2013
DRAFTER PFRITSCH	CHECKER PFRITSCH	SIZE B	DWG. NO. D1300230
APPROVAL PFRITSCH	SCALE 1:2	PROJECTION 	REV. v1