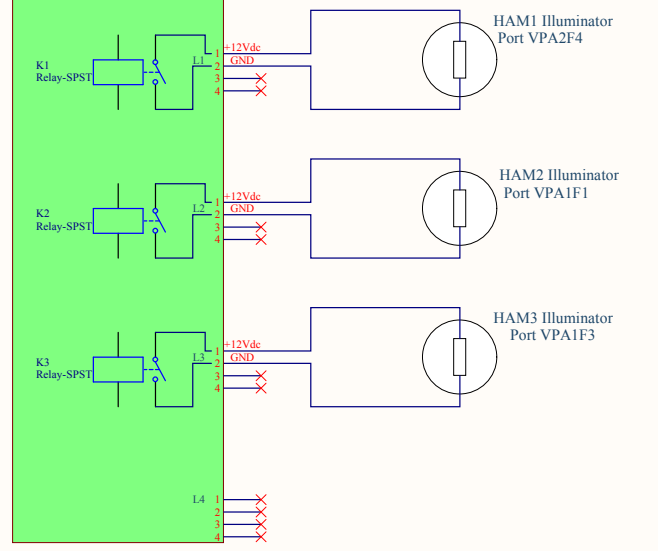
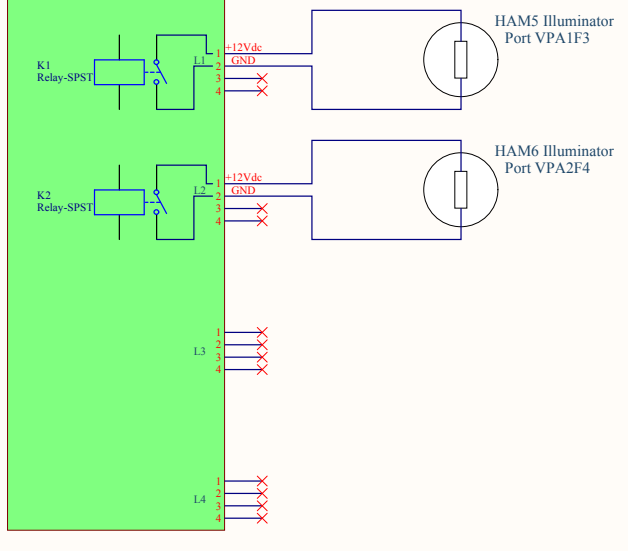


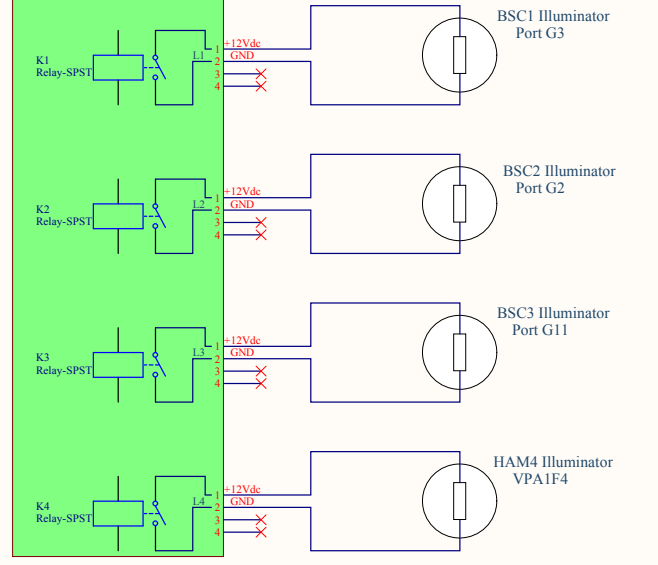
Illuminator Chassis 1  
D1300563



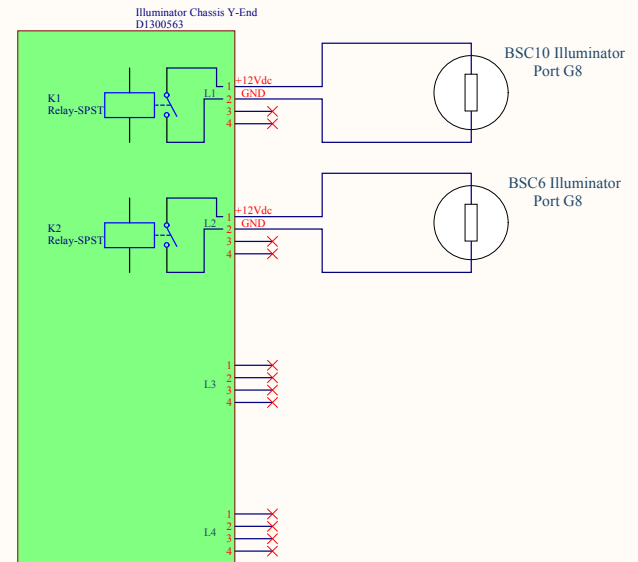
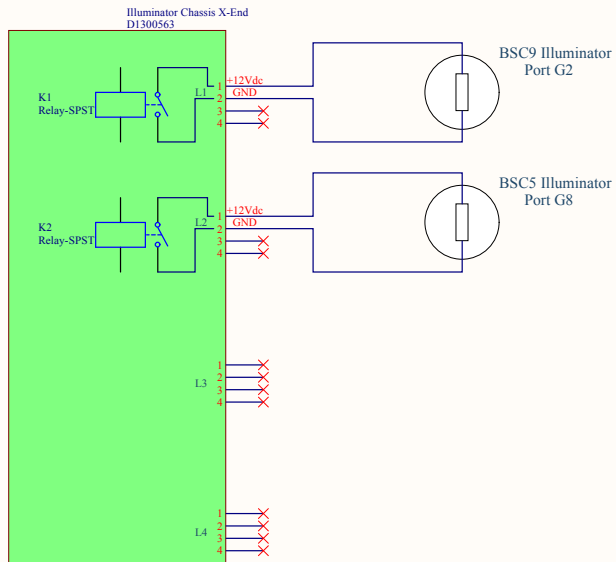
Illuminator Chassis 3  
D1300563



Illuminator Chassis 2  
D1300563



Title <b>Illuminator System</b>		
Size A3	Number <b>D1300562</b>	Revision 1
Date 6/17/2013	Sheet 1 of 2	
File C:\Users\...D1300562 sh1.SchDoc	Drawn By: Aaron Sevigny	



Title		
Illuminator Systems End Stations		
Size	Number	Revision
A3	D1300562	1
Date:	6/17/2013	Sheet 2 of 2
File:	C:\Users\...D1300562 sb2.SchDoc	Drawn By: Aaron Sevigny

Comment	Description	Designator	Footprint	LibRef	Quantity
Relay-SPST	Single-Pole Single-Throw	K1, K2, K3, K4	MODULE4	Relay-SPST	13