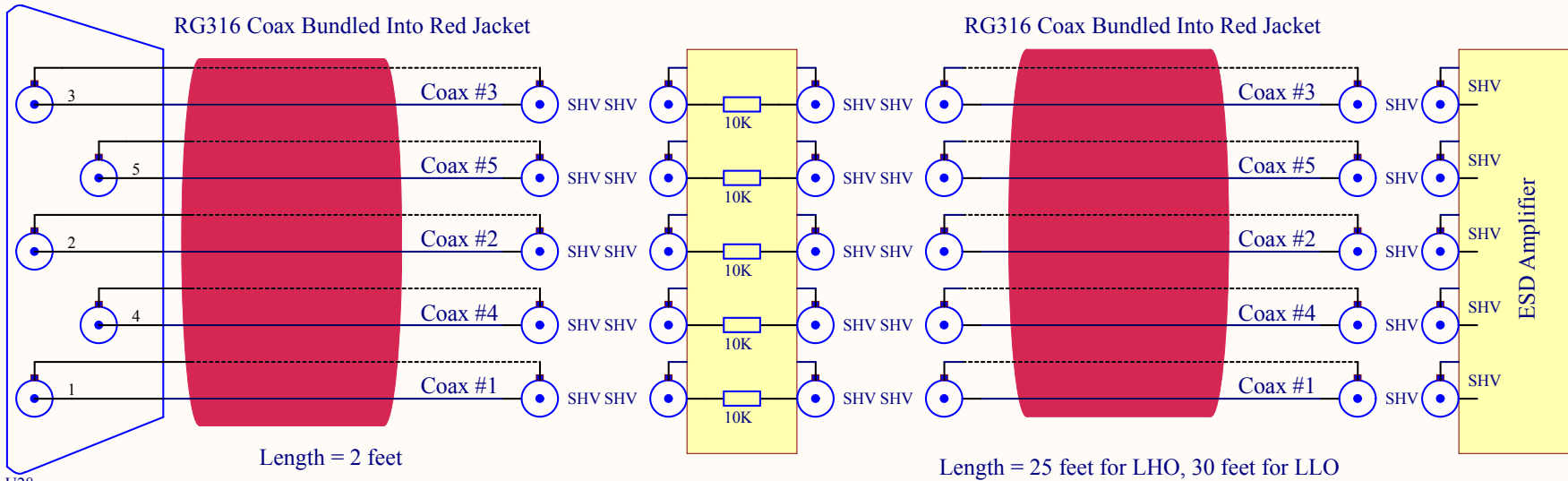
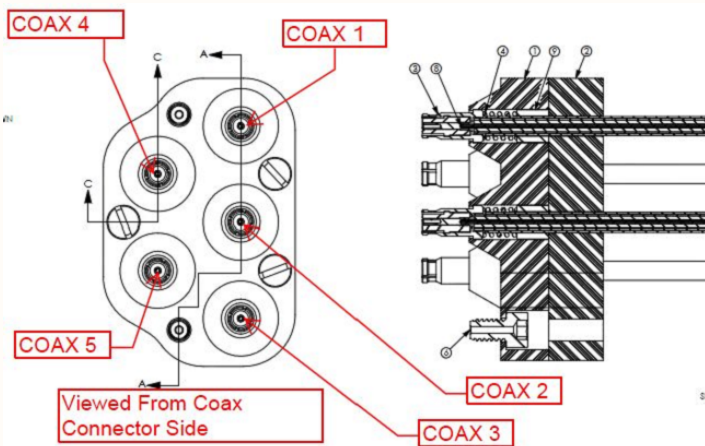


# From Vacuum Flange to ESD HV Amplifier



U28  
2 Row 5-Way Coax

## 2 Row 5-Way Coax Detail



Title  
**ESD In-air Coaxial Cable**

LIGO Project  
California Institute of Technology  
Massachusetts Institute of Technology



Size: A

DCC Number: D1300732

Revision: v1

Engineer: R. Abbott

Date: 12/5/2013

Time: 4:19:02 PM

Sheet 1 of 1