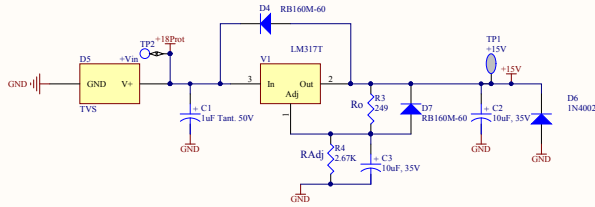
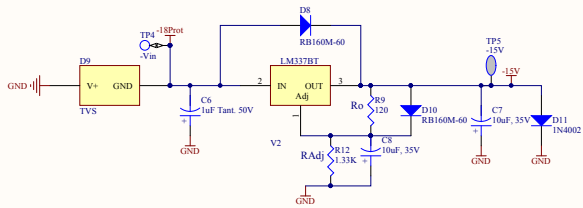


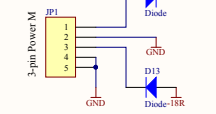
$$LM317 VOUT = 1.25 \times (1 + R_{Adj}/R_o) + (46\mu A \times R_{Adj})$$



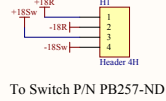
$$LM337 VOUT = -[1.25 \times (1 + R_{Adj}/R_o) + (65\mu A \times R_{Adj})]$$



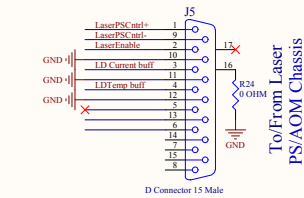
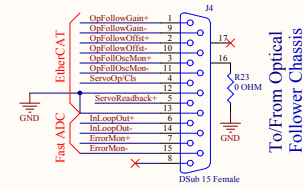
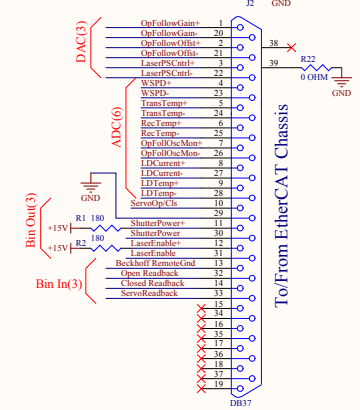
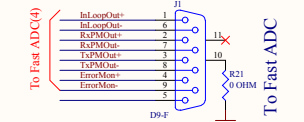
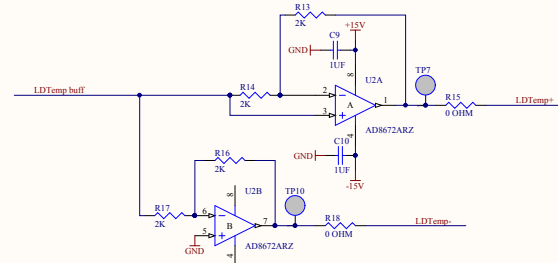
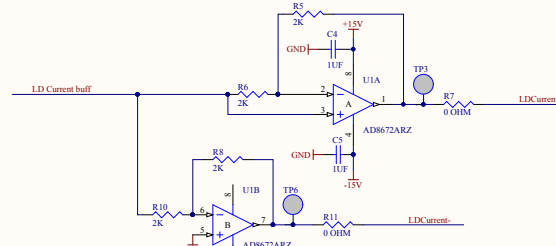
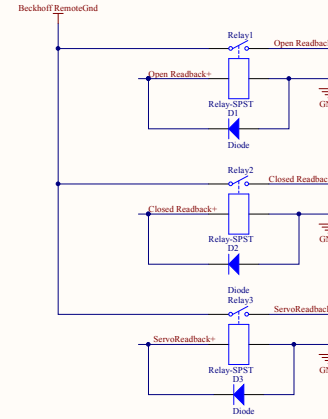
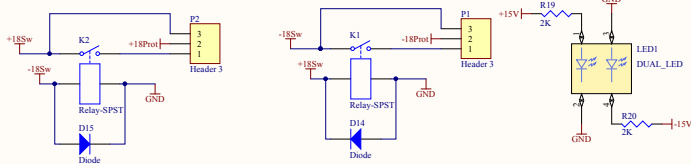
DC Power Input



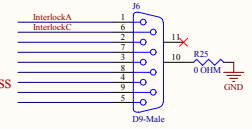
Power Switch



Both power supplies must be present for the board to get power.

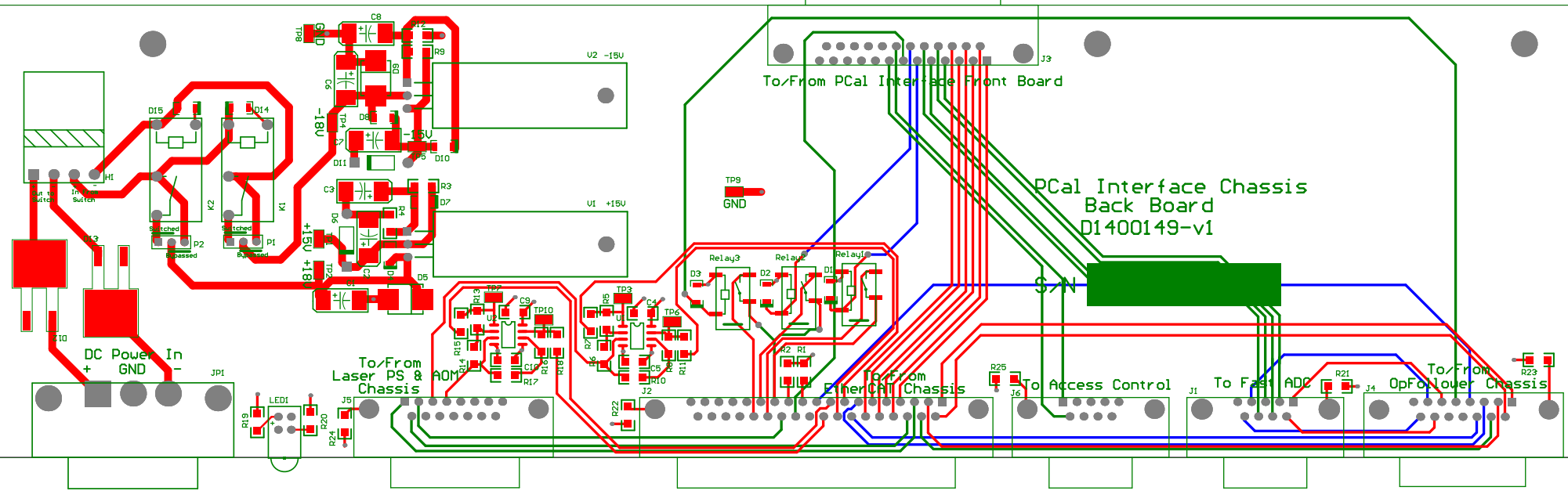


Daisychained Cover contacts Information Going to Access Control.



Title	PCal Interface Back Board		
Size:	C	DCC Number: D1400149	Ligo Project California Institute of Technology Massachusetts Institute of Technology
Drawn by:	Ben Abbott	Date: 5/29/2014	Revision: v1
Title: C:\Created\Ben_ABBOTT\PCal\PCal Interface Chassis\PCalInterfaceBackBoard.dwg			





To/From PCal Interface Front Board

PCal Interface Chassis  
Back Board  
D1400149-v1

DC Power In  
+ GND -

To/From  
Laser PS &  
Chassis

To/From  
Ethernet Chassis

To Access Control

To Fast ADC

To/From  
OpFollower Chassis

TP9  
GND

LED1

R19

R20

J5

TP8

R5

C4

R6

J2

R7

R8

R9

R10

R11

R12

R13

R14

R15

R16

R17

R18

R19

R20

R21

R22

R23

R24

R25

R26

R27

R28

R29

R30

R31

R32

R33

R34

R35

R36

R37

R38

R39

R40

R41

R42

R43

R44

R45

R46

R47

R48

R49

R50

R51

R52

R53

R54

R55

R56

R57

R58

R59

R60

R61

R62

R63

R64

R65

R66

R67

R68

R69

R70

R71

R72

R73

R74

R75

R76

R77

R78

R79

R80

R81

R82

R83

R84

R85

R86

R87

R88

R89

R90

R91

R92

R93

R94

R95

R96

R97

R98

R99

R100

R101

R102

R103

R104

R105

R106

R107

R108

R109

R110

R111

R112

R113

R114

R115

R116

R117

R118

R119

R120

R121

R122

R123

R124

R125

R126

R127

R128

R129

R130

R131

R132

R133

R134

R135

R136

R137

R138

R139

R140

R141

R142

R143

R144

R145

R146

R147

R148

R149

R150

R151

R152

R153

R154

R155

R156

R157

R158

R159

R160

R161

R162

R163

R164

R165

R166

R167

R168

R169

R170

R171

R172

R173

R174

R175

R176

R177

R178

R179

R180

R181

R182

R183

R184

R185

R186

R187

R188

R189

R190

R191

R192

R193

R194

R195

R196

R197

R198

R199

R200

R201

R202

R203

R204

R205

R206

R207

R208

R209

R210

R211

R212

R213

R214

R215

R216

R217

R218

R219

R220

R221

R222

R223

R224

R225

R226

R227

R228

R229

R230

R231

R232

R233

R234

R235

R236

R237

R238

R239

R240

R241

R242

R243

R244

R245

R246

R247

R248

R249

R250

R251

R252

R253

R254

R255

R256

R257

R258

R259

R260

R261

R262

R263

R264

R265

R266

R267

R268

R269

R270

R271

R272

R273

R274

R275

R276

R277

R278

R279

R280

R281

R282

R283

R284

R285

R286

R287

R288

R289

R290

R291

R292

R293

R294

R295

R296

R297

R298

R299

R300

R301

R302

R303

R304

R305

R306

R307

R308

R309

R