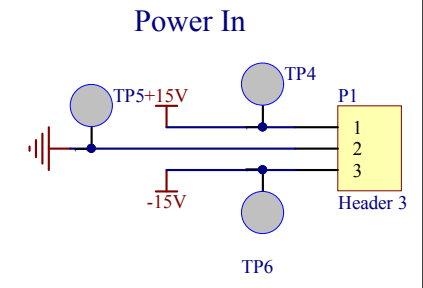
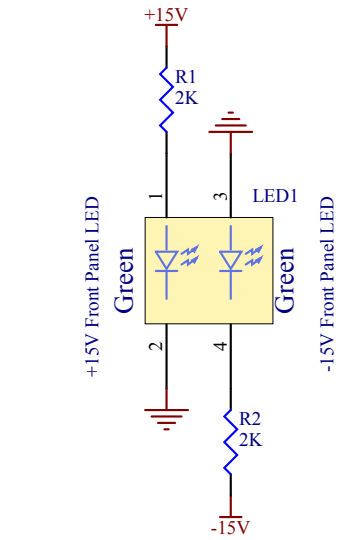
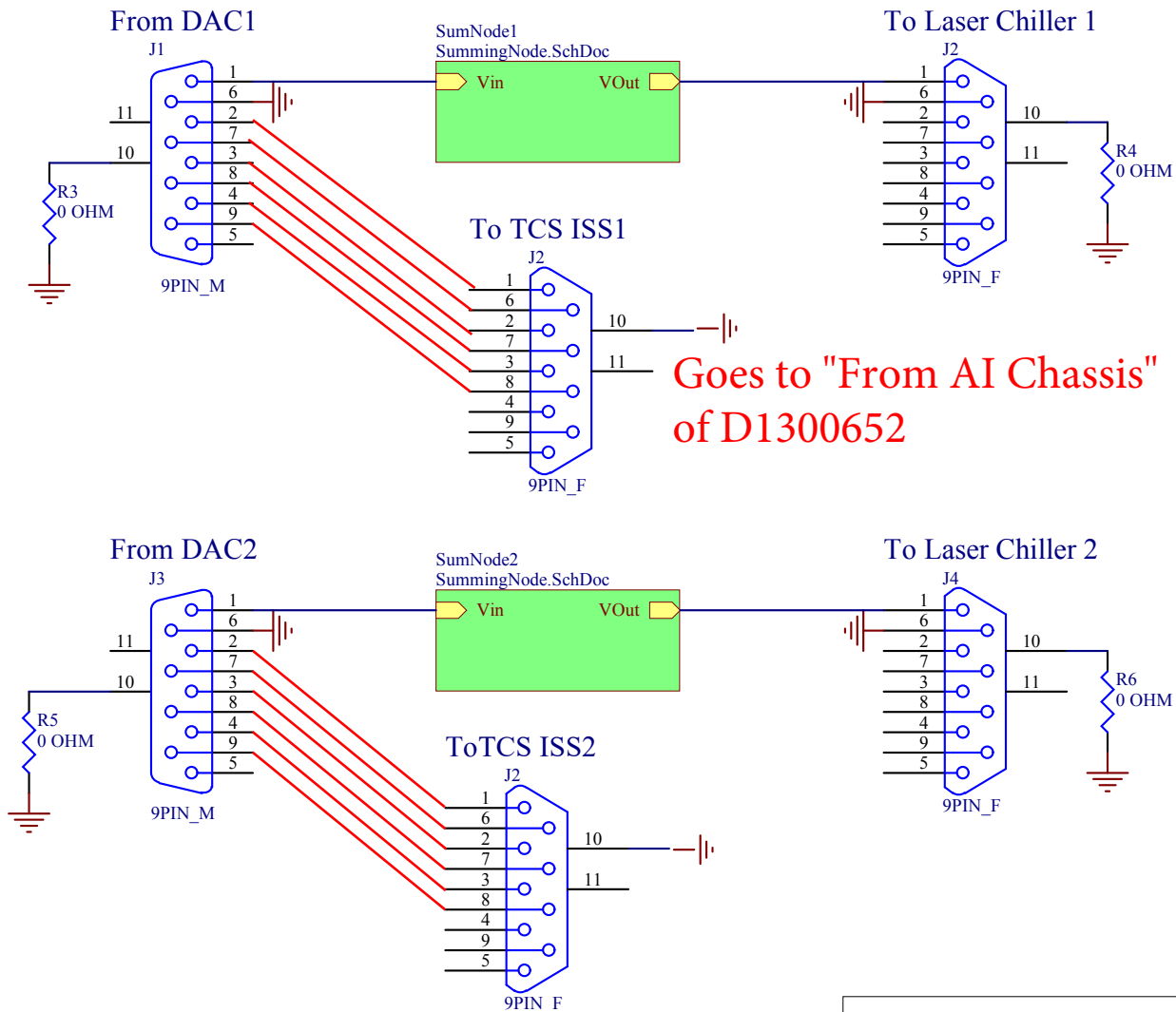

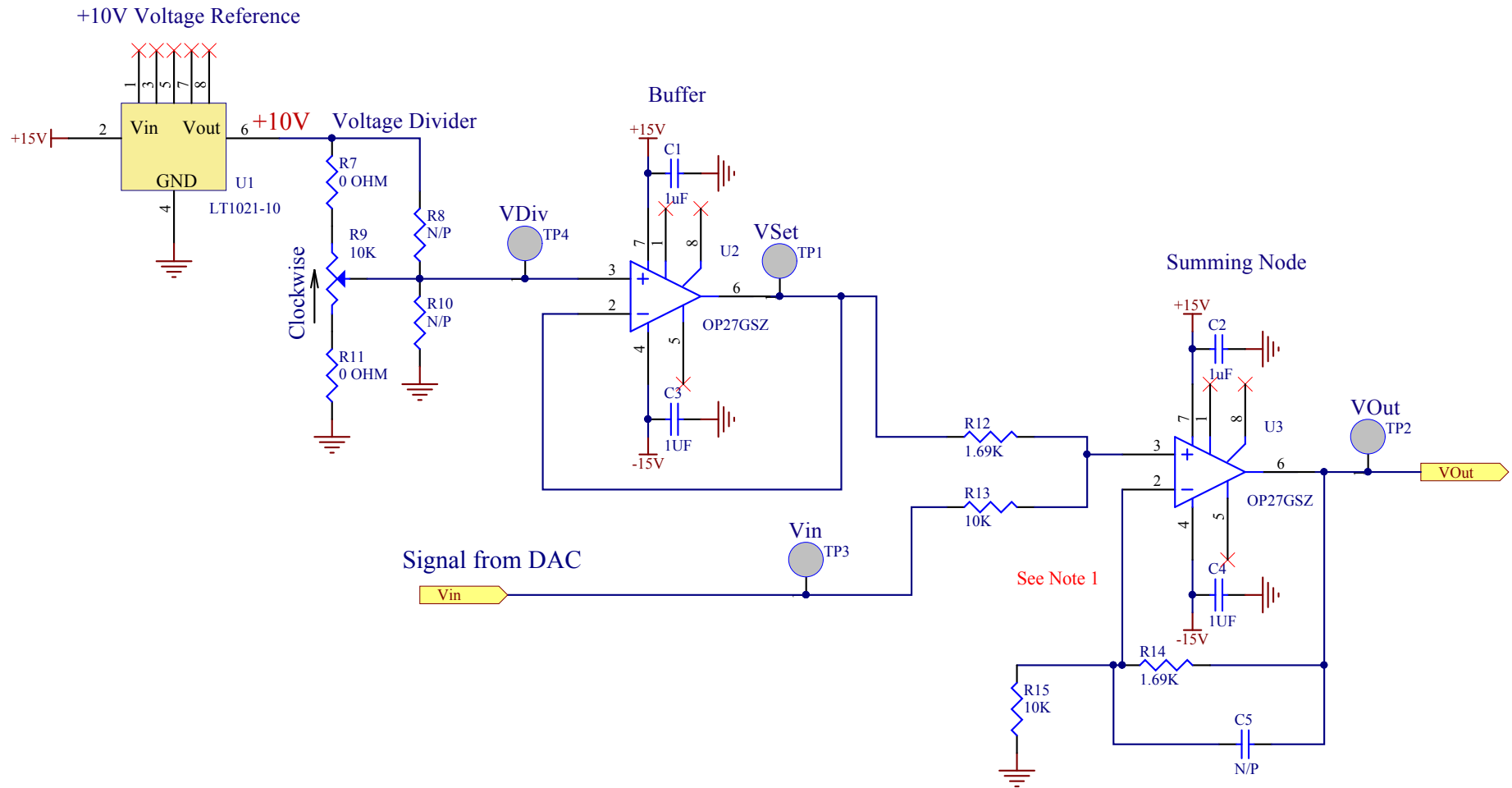


Add new TCS CO2 ISS breakout DB9s



Goes to "From AI Chassis" of D1300652

Title TCS Laser Chiller Summing Board			
Size: A	DCC Number: D1500265		Ligo Project California Institute of Technology Massachusetts Institute of Technology 
Drawn by: Ben Abbott	Date: 11/16/2016	Revision: v2	
File: C:\restored\Ben\AOS\TCS Stuff\Laser Chiller Summing\LaserChillerSumming.SchDoc 11/16/2016 9:40:06 AM Sheet 1 of 2			



Note 1:
 R12, R13, R14 and R15 have been changed in order to reduce the gain of the DAC path to 0.17V/V. This was done to stop DAC reboots from tripping the chiller.

Title Summing Node			
Size: A	DCC Number: D1500265		Ligo Project California Institute of Technology Massachusetts Institute of Technology
Drawn by: Ben Abbott	Date: 11/16/2016	Revision: v2	
File: C:\restored\Ben\AOS\TCS Stuff\Laser Chiller Summing\SummingNode.sch Dec 24:26 AM Sheet 2 of 2			



