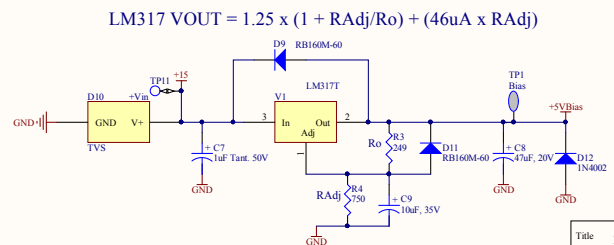
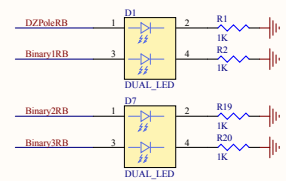
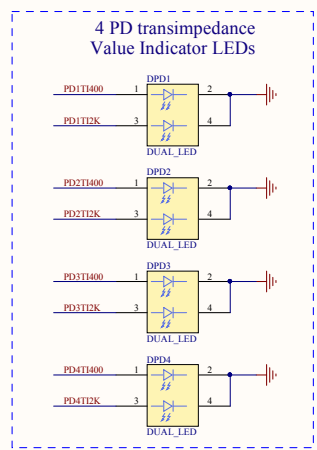
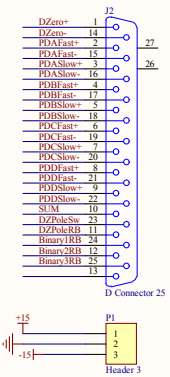
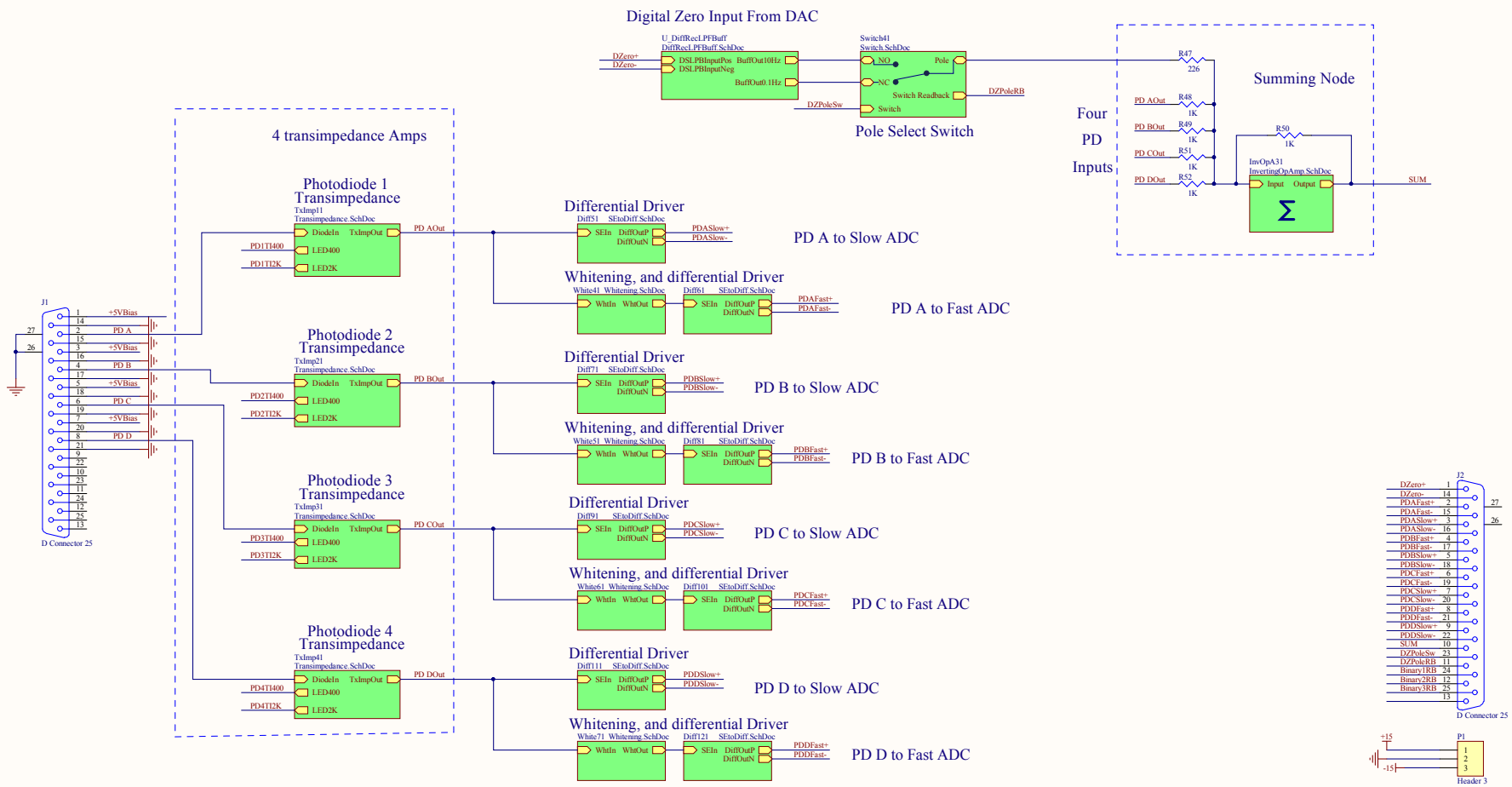


A

B

C

D



Title Transimpedance and Summing		
Size: C	DCC Number: D1600175	Ligo Project California Institute of Technology Massachusetts Institute of Technology
Drawn by: Ben Abbott	Date: 5/16/2016	Revision: V1