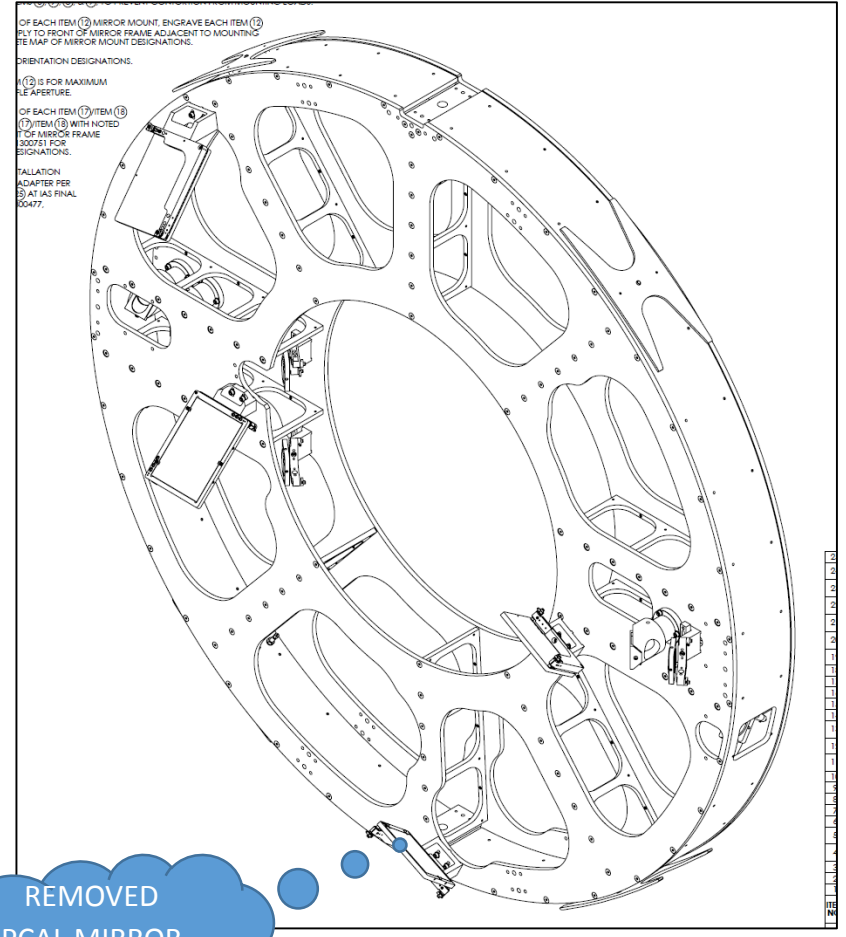


PROPOSED BAFFLES FOR PCAL AND PR /SR CAVITIES:

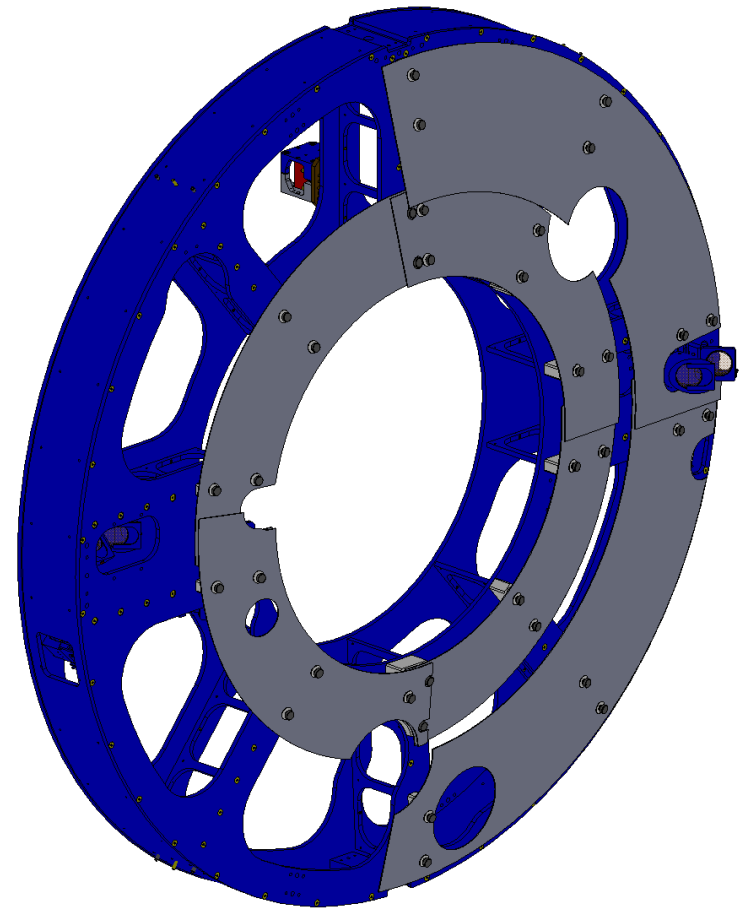
As built (Weight: 229.90 lbs)



REMOVED
PCAL MIRROR
MOUNTS
ASSY.
4 PL.

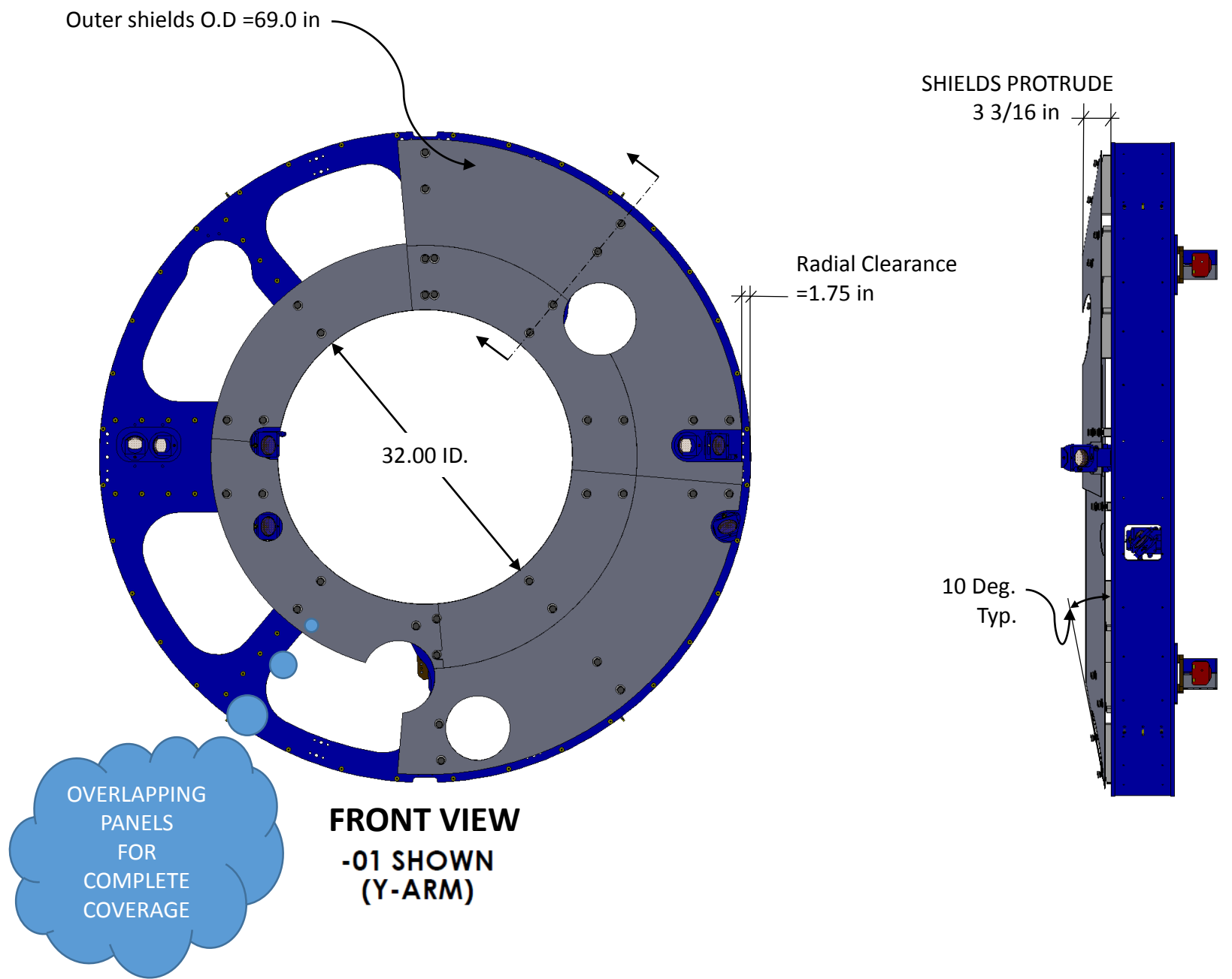
**-01 SHOWN
(Y-ARM)**

Modified with SLC Shields
(Weight: 245.00 lbs Approx.)



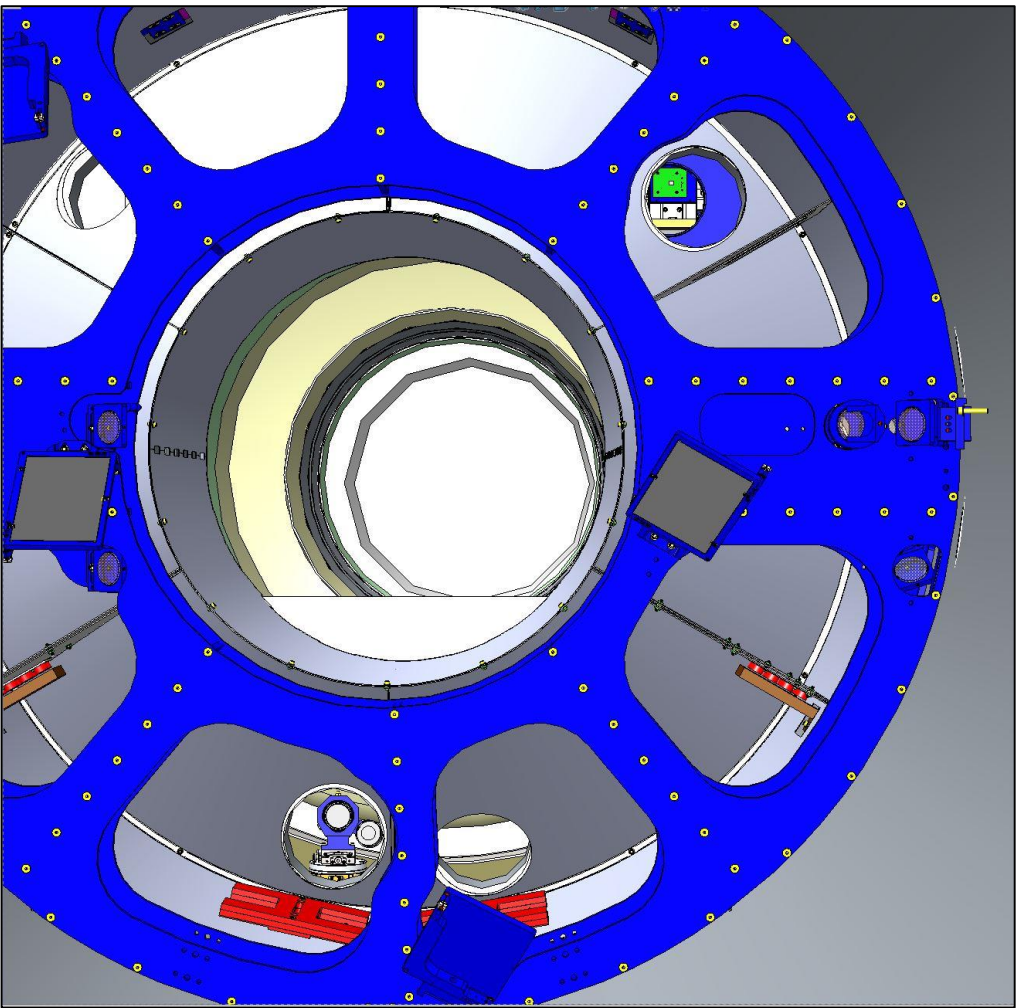
**-01 SHOWN
(Y-ARM)**

PROPOSED BAFFLES FOR PCAL AND PR /SR CAVITIES:

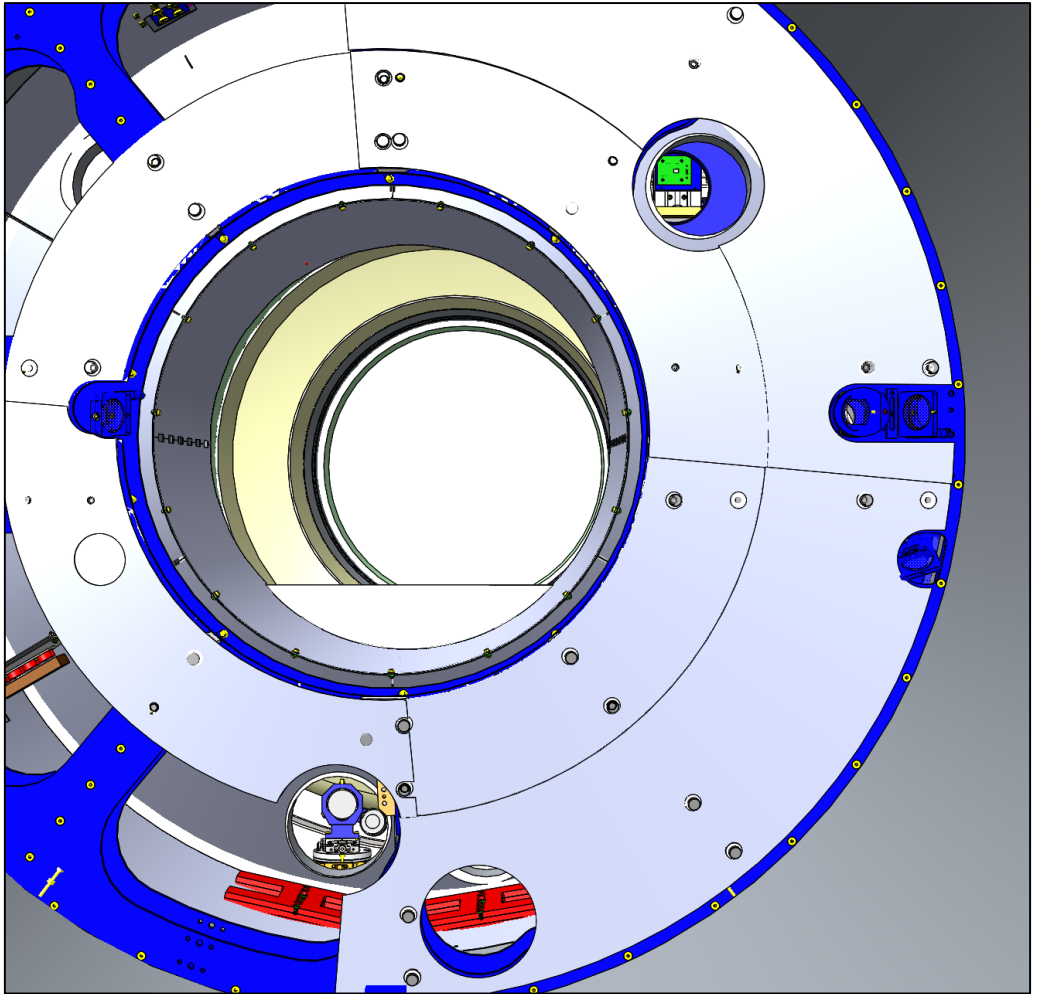


PROPOSED BAFFLES FOR PCAL AND PR /SR CAVITIES:

As built



With PCAL shields



CAD image extracted from Solidworks of PCAL Periscope as viewed from a camera centered and perpendicular to the HR of ETMy face for a ± 11 deg field of regard (22 full Angle)
Refer to LIGO G1602132