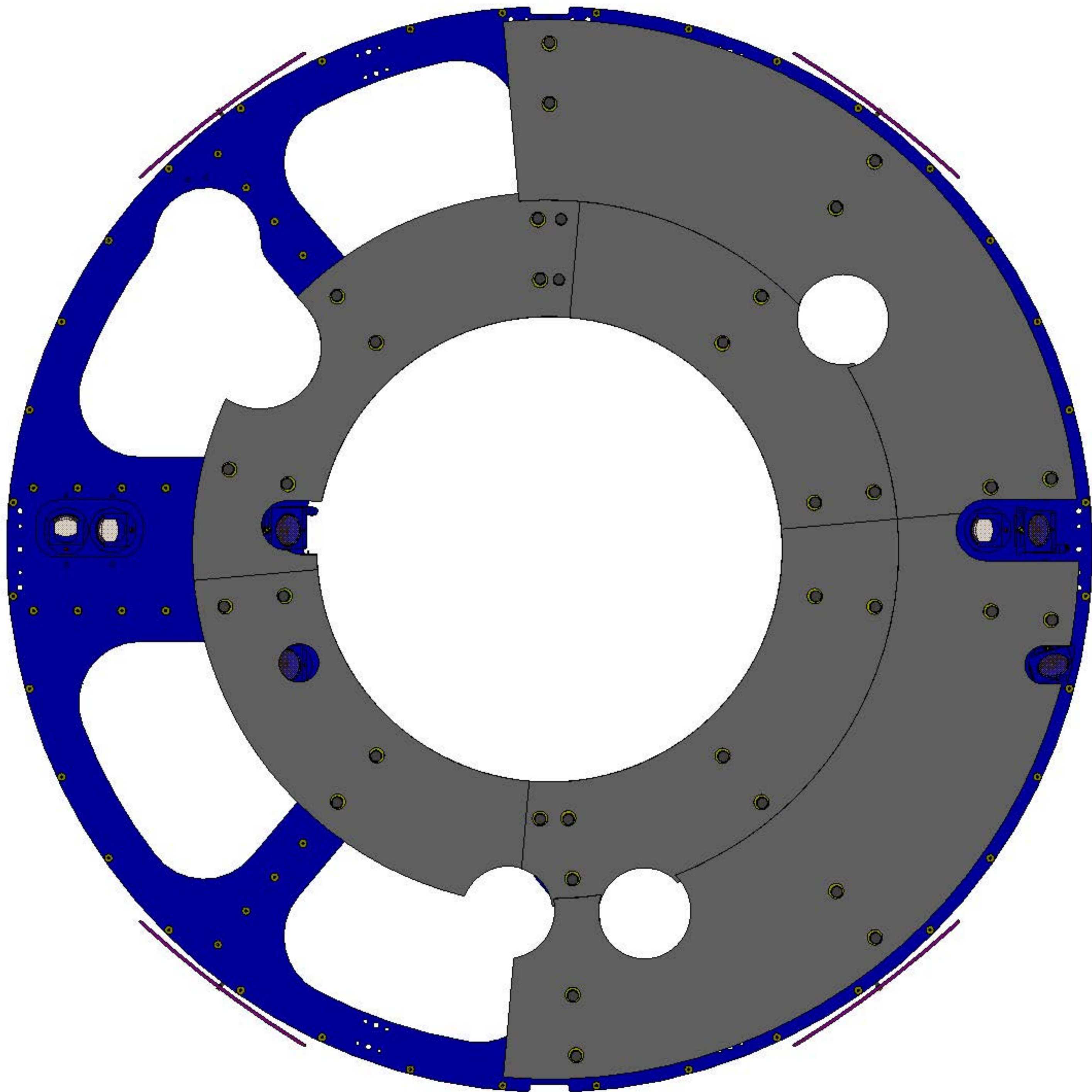
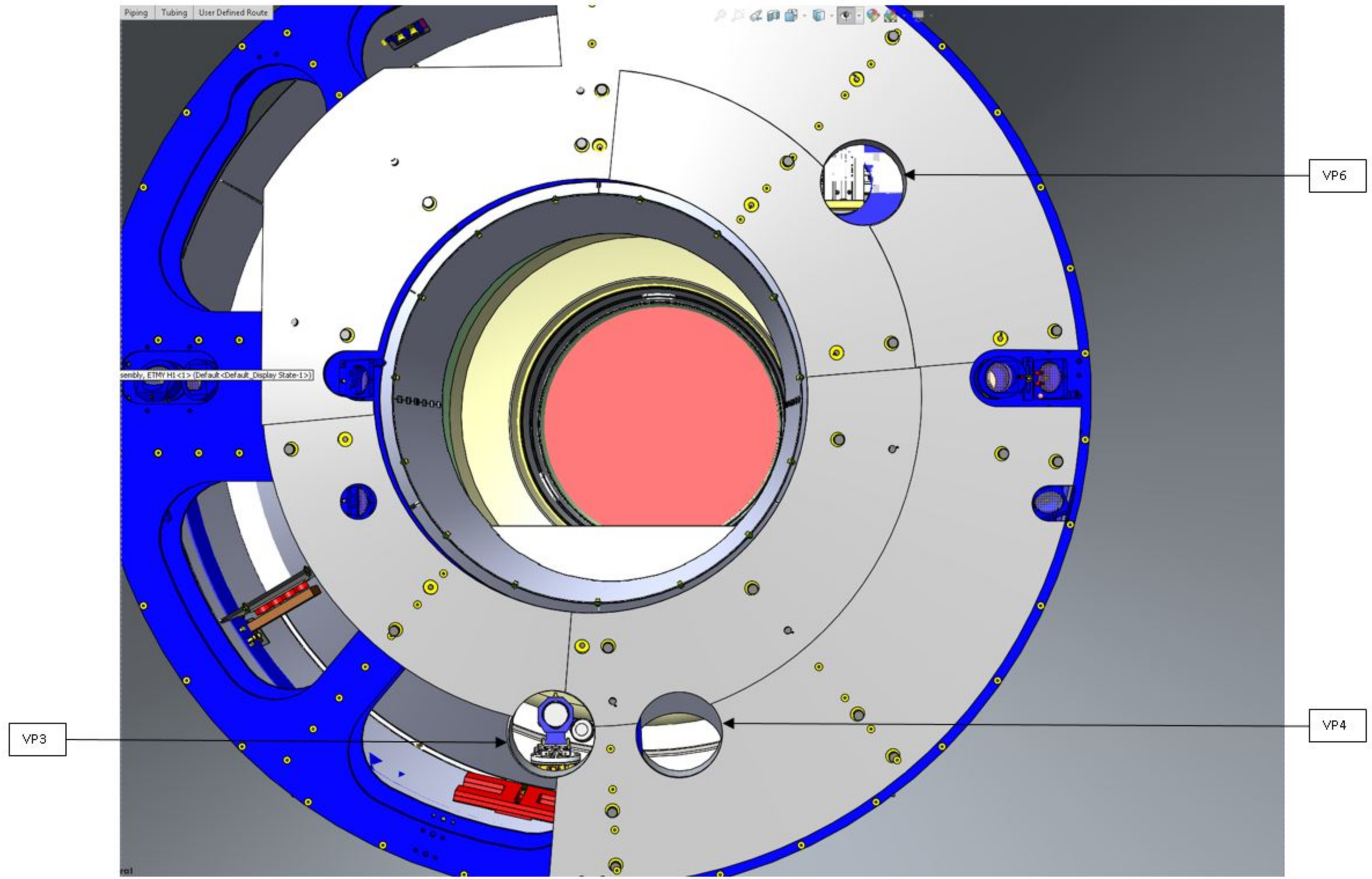


FRONT, PARTIAL VIEW



PROPOSED BAFFLES FOR PCAL Periscope: With shields



Yarm shown, Xarm SYMMETRICALLY OPPOSITE

CAD image extracted from Solidworks of PCAL Periscope as viewed from a camera centered and perpendicular to the HR of ETMy face for a ± 11 deg field of regard (22 full Angle)