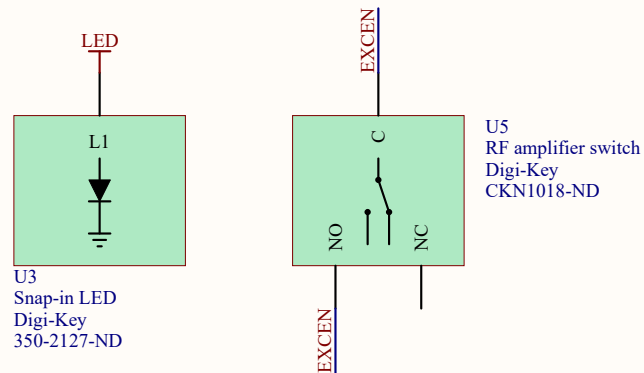


RF VCXO board needs to be mounted on chassis stand-offs.

Cables C1 to C4 are flexible semi-rigid RG405.  
Cables require SMA connectors on both ends.

J2-J4 are BNC bulkhead to SMA cables  
J1 is TNC bulkhead to SMA cable  
Use BNC insulating bushings to mount



- |                                              |                            |                         |                      |                      |
|----------------------------------------------|----------------------------|-------------------------|----------------------|----------------------|
| CA1 SMA cable 6"                             | E1 #4-40 3/16" flat        | H10 Handle, 1.25"       | E20 #4-40 3/16" flat | E42 #4-40 3/16" flat |
| EAM SMA cable 6"; RA/straight                | E2 #4-40 3/16" flat        | H11 Handle, 1.25"       | E21 #4-40 3/16" flat | E43 #4-40 3/16" flat |
| CA2 SMA cable 6"                             | McMaster-Carr 91771A111    | Mouser 534-9106         | E22 #4-40 3/16" flat | E44 #4-40 3/16" flat |
| EAM SMA cable 6"; RA/straight                | E3 #6-32 1/4" flat         | H12 Ferrule             | E23 #4-40 3/16" flat | E45 #4-40 3/16" flat |
| CA3 SMA cable 11"                            | E4 #6-32 1/4" flat         | H13 Ferrule             | E24 #4-40 3/16" flat | E46 #4-40 3/16" flat |
| EAM SMA cable 11"; RA/straight               | E5 #6-32 1/4" flat         | H14 Ferrule             | E25 #4-40 3/16" flat | E47 #4-40 3/16" flat |
| CA4 SMA cable 11"                            | E6 BNC lock washer         | H15 Ferrule             | E26 #4-40 3/16" flat | E48 #4-40 3/16" flat |
| EAM SMA cable 11"; RA/straight               | E7 BNC nut                 | Mouser 534-9121         | E27 #4-40 3/16" flat | E49 #4-40 3/16" flat |
| S1 flat ribbon cable Digi-Key M3DDA-3420K-ND | E8 BNC lock washer         | M1 #6-32 1/4" flat      | E28 #4-40 3/16" flat | E50 #4-40 3/16" flat |
| H1 #6-32 pan, lock washer, 5/16"             | E9 BNC nut                 | M2 #6-32 1/4" flat      | E29 #4-40 3/16" flat | E51 #4-40 3/16" flat |
| H2 #6-32 pan, lock washer, 5/16"             | E10 BNC lock washer        | M3 #6-32 1/4" flat      | E30 #4-40 3/16" flat | E52 #4-40 3/16" flat |
| H3 #6-32 pan, lock washer, 5/16"             | E11 BNC nut                | M4 #6-32 1/4" flat      | E31 #4-40 3/16" flat | E53 #4-40 3/16" flat |
| H4 #6-32 pan, lock washer, 5/16"             | E12 BNC insulating bushing | M5 #6-32 1/4" flat      | E32 #4-40 3/16" flat | E54 #4-40 3/16" flat |
| H5 #6-32 pan, lock washer, 5/16"             | E13 BNC insulating bushing | M6 #6-32 1/4" flat      | E33 #4-40 3/16" flat | E55 #4-40 3/16" flat |
| H6 #6-32 pan, lock washer, 5/16"             | E14 BNC insulating bushing | M7 #6-32 3/8" flat      | E34 #4-40 3/16" flat | E56 #4-40 3/16" flat |
| H7 #6-32 pan, lock washer, 5/16"             | E15 BNC insulating bushing | M8 #6-32 3/8" flat      | E35 #4-40 3/16" flat | E57 #4-40 3/16" flat |
| H8 #6-32 pan, lock washer, 5/16"             | E16 BNC insulating bushing | M9 #6-32 3/8" flat      | E36 #4-40 3/16" flat | E58 #4-40 3/16" flat |
| H9 #6-32 pan, lock washer, 5/16"             | E17 BNC insulating bushing | M10 #6-32 3/8" flat     | E37 #4-40 3/16" flat | E59 #4-40 3/16" flat |
| McMaster-Carr 93405A145                      | E18 BNC insulating bushing | McMaster-Carr 91099A215 | E38 #4-40 3/16" flat | E60 #4-40 3/16" flat |
|                                              | E19 BNC insulating bushing |                         | E39 #4-40 3/16" flat | E61 #4-40 3/16" flat |
|                                              | E20 BNC insulating bushing |                         | E40 #4-40 3/16" flat | E62 #4-40 3/16" flat |
|                                              | E21 BNC insulating bushing |                         | E41 #4-40 3/16" flat | E63 #4-40 3/16" flat |
|                                              | E22 BNC insulating bushing |                         |                      |                      |
|                                              | E23 BNC insulating bushing |                         |                      |                      |
|                                              | E24 BNC insulating bushing |                         |                      |                      |
|                                              | E25 BNC insulating bushing |                         |                      |                      |
|                                              | E26 BNC insulating bushing |                         |                      |                      |
|                                              | E27 BNC insulating bushing |                         |                      |                      |
|                                              | E28 BNC insulating bushing |                         |                      |                      |
|                                              | E29 BNC insulating bushing |                         |                      |                      |
|                                              | E30 BNC insulating bushing |                         |                      |                      |
|                                              | E31 BNC insulating bushing |                         |                      |                      |
|                                              | E32 BNC insulating bushing |                         |                      |                      |
|                                              | E33 BNC insulating bushing |                         |                      |                      |
|                                              | E34 BNC insulating bushing |                         |                      |                      |
|                                              | E35 BNC insulating bushing |                         |                      |                      |
|                                              | E36 BNC insulating bushing |                         |                      |                      |
|                                              | E37 BNC insulating bushing |                         |                      |                      |
|                                              | E38 BNC insulating bushing |                         |                      |                      |
|                                              | E39 BNC insulating bushing |                         |                      |                      |
|                                              | E40 BNC insulating bushing |                         |                      |                      |
|                                              | E41 BNC insulating bushing |                         |                      |                      |
|                                              | E42 BNC insulating bushing |                         |                      |                      |
|                                              | E43 BNC insulating bushing |                         |                      |                      |
|                                              | E44 BNC insulating bushing |                         |                      |                      |
|                                              | E45 BNC insulating bushing |                         |                      |                      |
|                                              | E46 BNC insulating bushing |                         |                      |                      |
|                                              | E47 BNC insulating bushing |                         |                      |                      |
|                                              | E48 BNC insulating bushing |                         |                      |                      |
|                                              | E49 BNC insulating bushing |                         |                      |                      |
|                                              | E50 BNC insulating bushing |                         |                      |                      |
|                                              | E51 BNC insulating bushing |                         |                      |                      |
|                                              | E52 BNC insulating bushing |                         |                      |                      |
|                                              | E53 BNC insulating bushing |                         |                      |                      |
|                                              | E54 BNC insulating bushing |                         |                      |                      |
|                                              | E55 BNC insulating bushing |                         |                      |                      |
|                                              | E56 BNC insulating bushing |                         |                      |                      |
|                                              | E57 BNC insulating bushing |                         |                      |                      |
|                                              | E58 BNC insulating bushing |                         |                      |                      |
|                                              | E59 BNC insulating bushing |                         |                      |                      |
|                                              | E60 BNC insulating bushing |                         |                      |                      |
|                                              | E61 BNC insulating bushing |                         |                      |                      |
|                                              | E62 BNC insulating bushing |                         |                      |                      |
|                                              | E63 BNC insulating bushing |                         |                      |                      |

PN1 Cable, 1 pair, shielded Mouser 566-9501-100  
EXCEN cable

PN2 1U chassis LIGO D1001098-v1  
PN3 Front Panel LIGO D1700012-v1  
PN4 Rear Panel LIGO D1700013-v1

Title <b>Voltage Controlled Crystal Oscillator</b>		
Size B	Number <b>D1600500</b>	Revision <b>3</b>
Date: 9/17/2021	Sheet 1 of 1	Drawn By: Daniel Sigg
File: C:\Users\...\VCXO1.SchDoc		