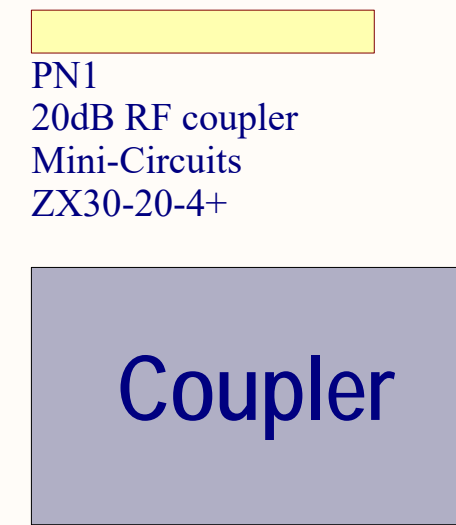
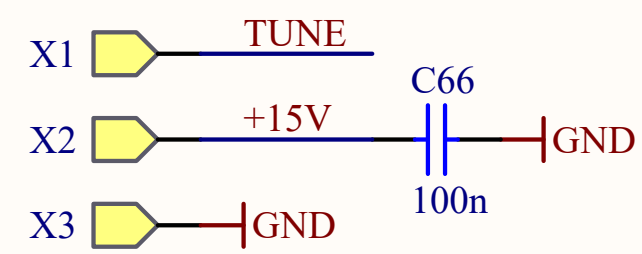
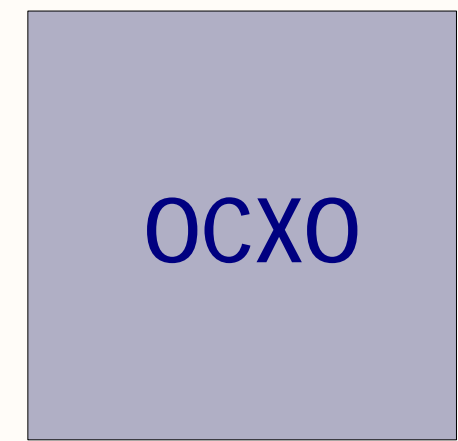


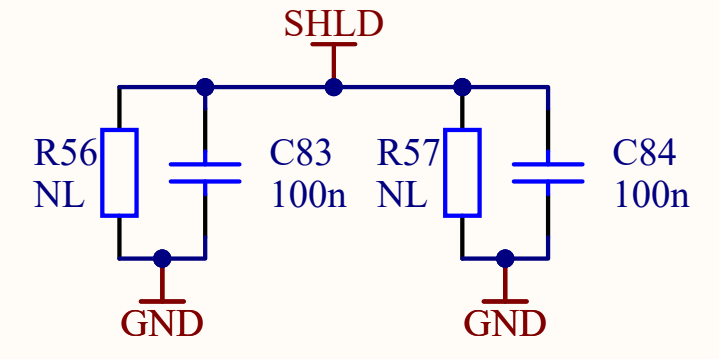
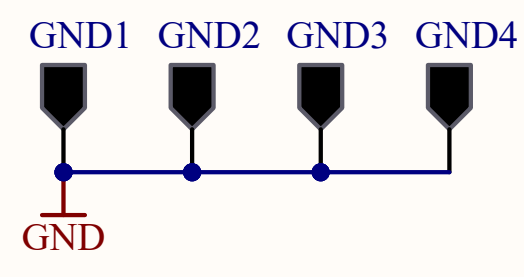
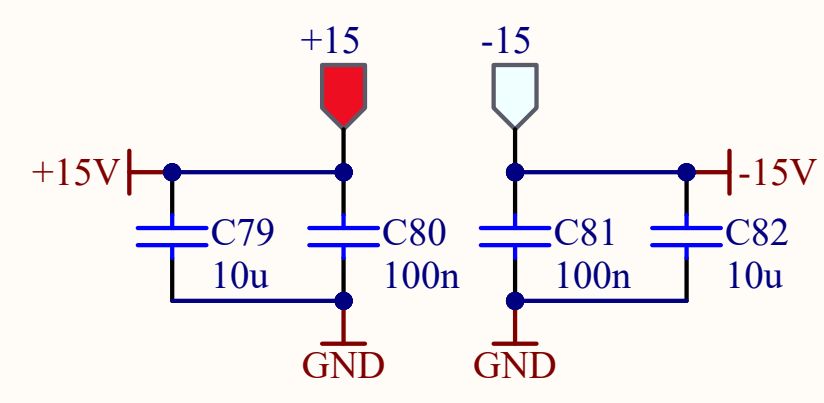
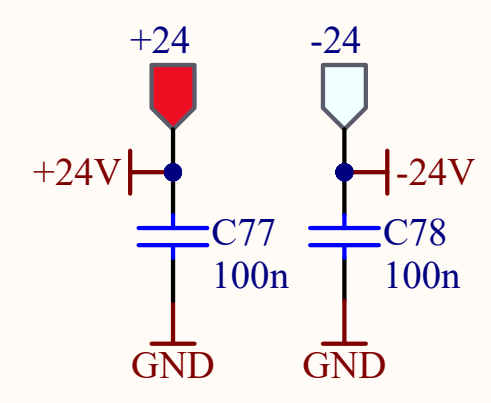
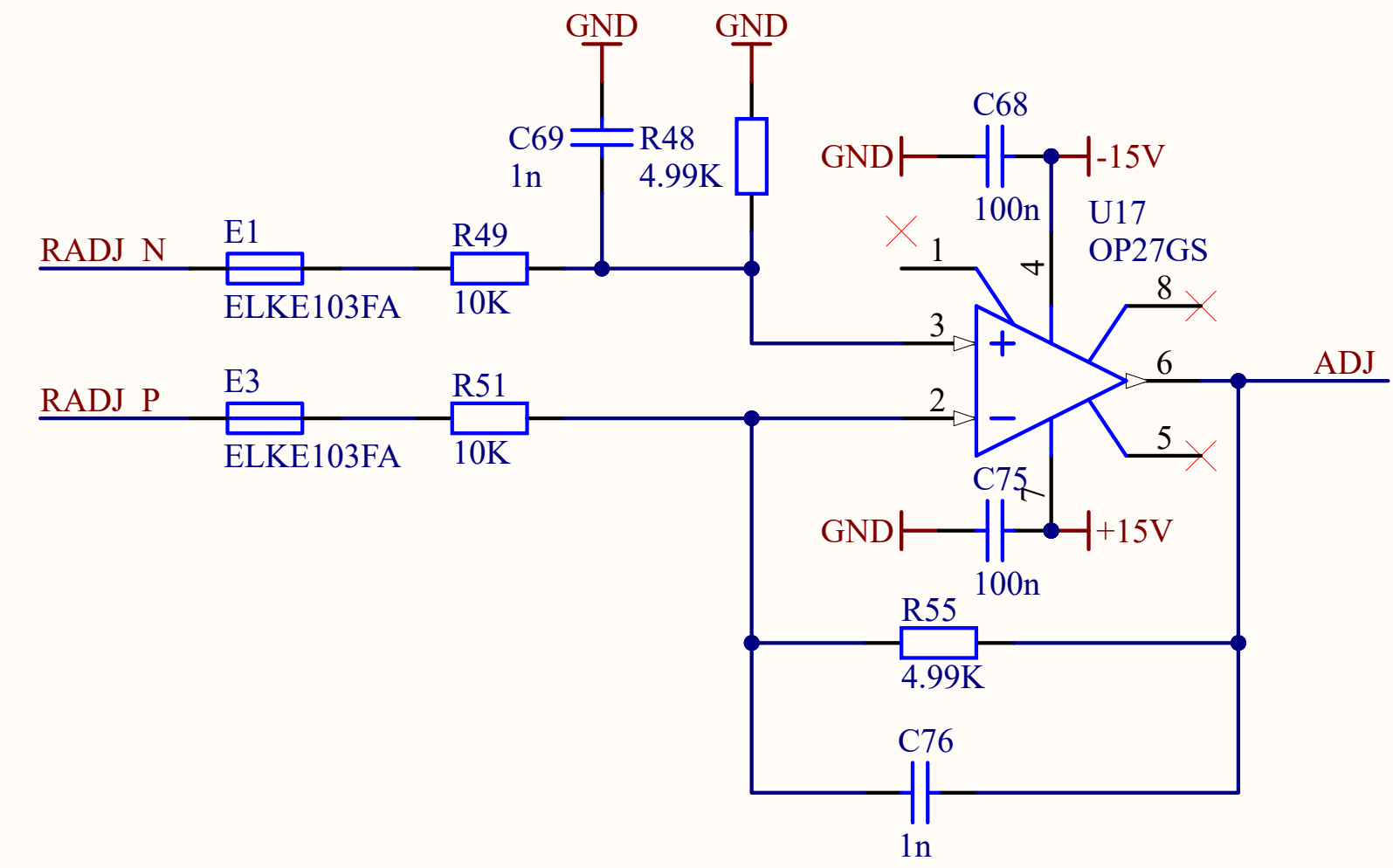
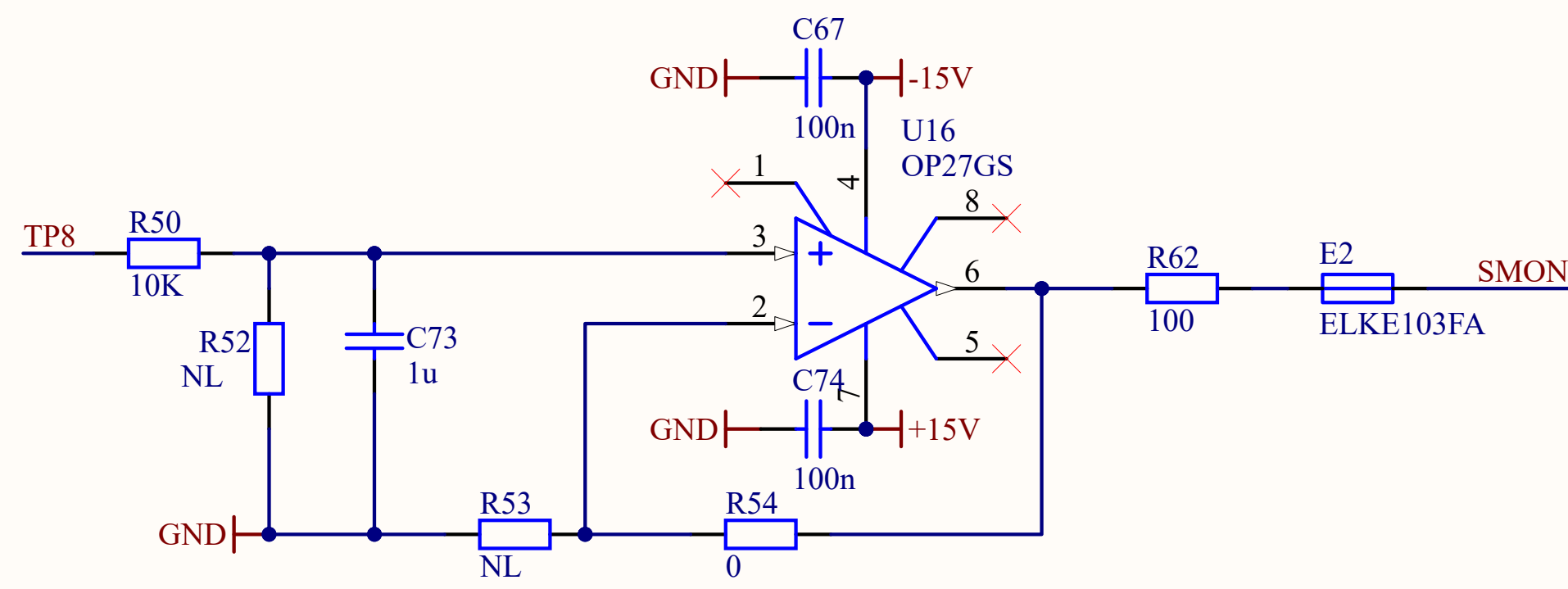
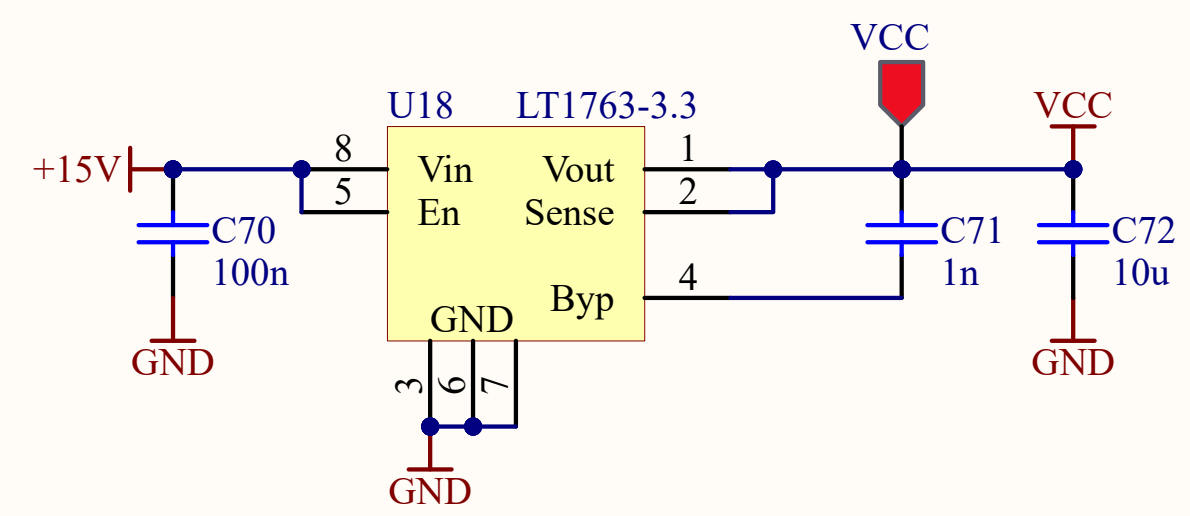
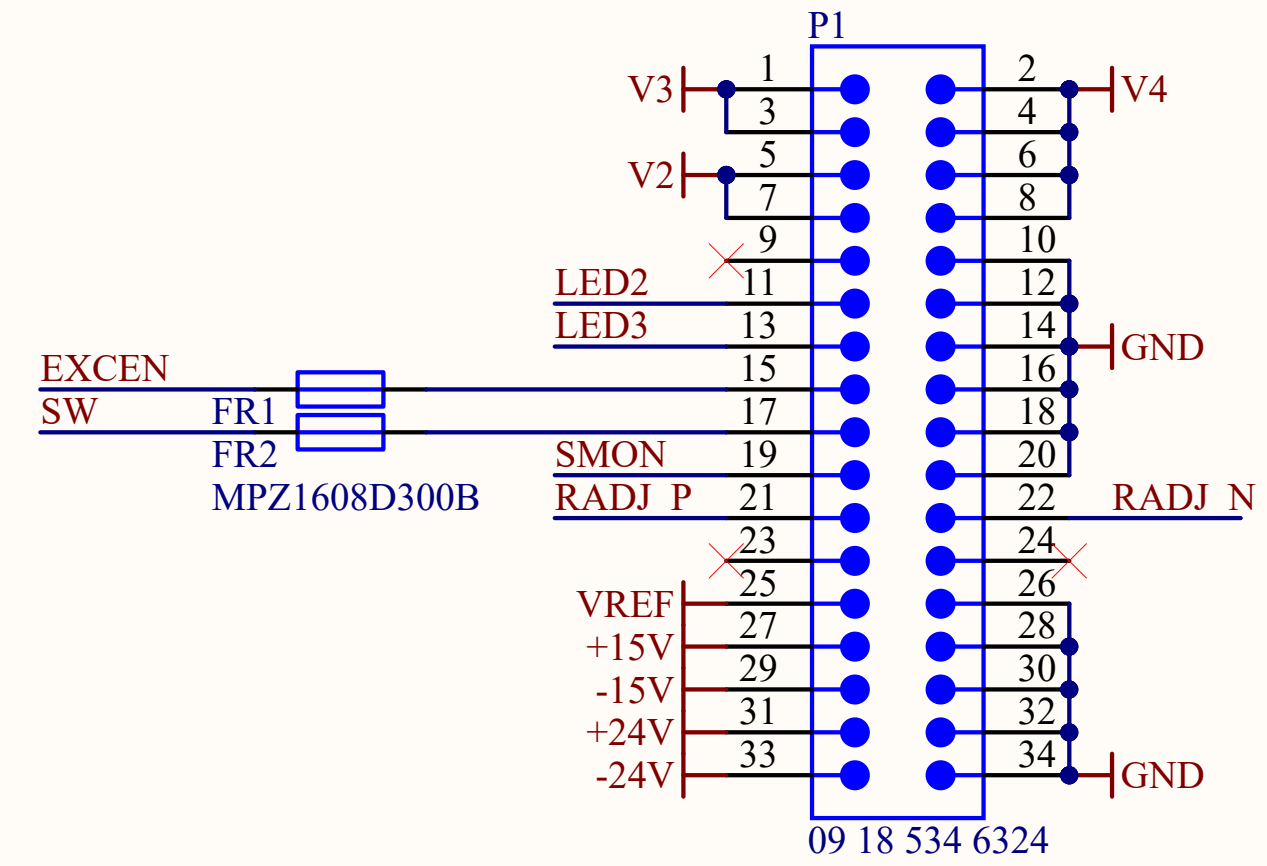
Title VCXO: Oscillator Source		
Size B	Number D1700017	Revision 1
Date: 6/7/2017	Sheet 1 of 2	
File: D:\Users\...\VCXOSource1.SchDoc	Drawn By: Daniel Sigg	



- U15 OCXO
- H1 #4 screw, 1/4"
- H4 #4 screw, 1/4"
- H7 #4 screw, 1/4"
- H10 #4 screw, 1/4"

- PN2 SMA adapter M-M Pasternack PE9069

- H2 M2.5 nut
- H3 M2.5 nut
- H5 M2.5 lock washer
- H6 M2.5 lock washer
- H8 large #4 washer
- H9 large #4 washer
- H11 M2.5 screw, 8mm
- H12 M2.5 screw, 8mm



Title VCXO: Oscillator Source		
Size B	Number D1700017	Revision 1
Date: 6/7/2017	Sheet 2 of 2	
File: D:\Users\...\VCXOSource2.SchDoc	Drawn By: Daniel Sigg	