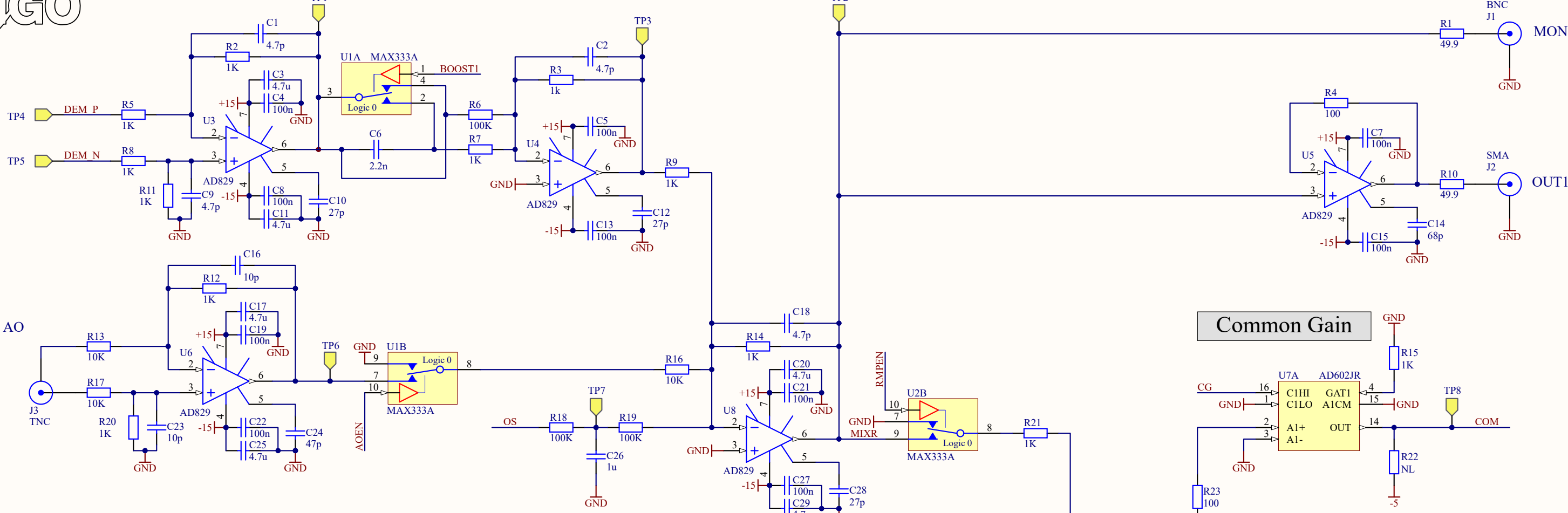


Anti-Boost
750Hz/75kHz zero/pole

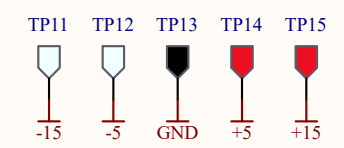
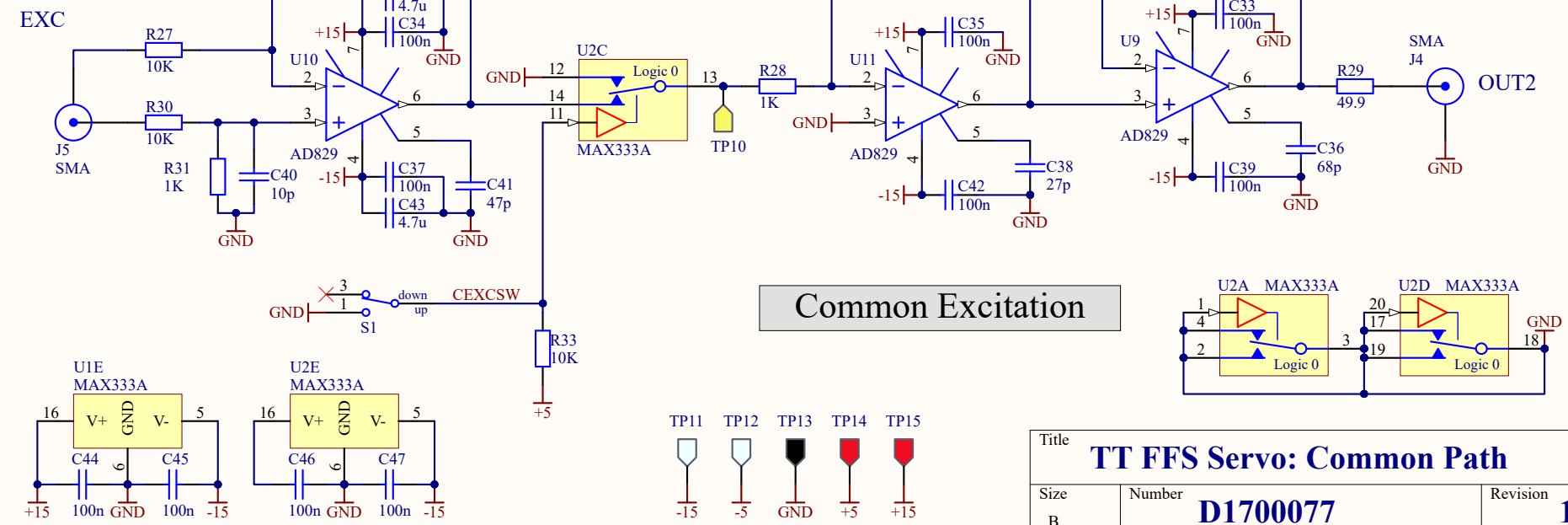
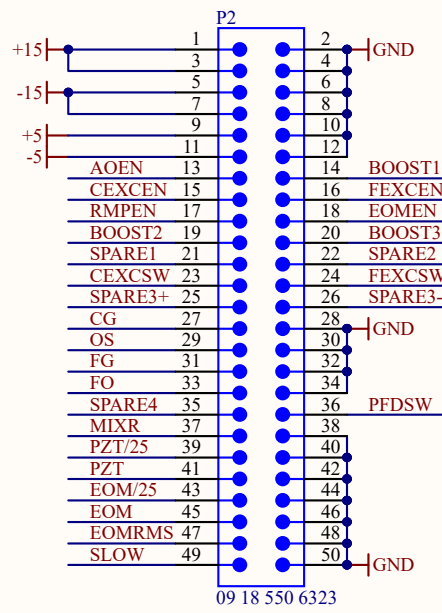
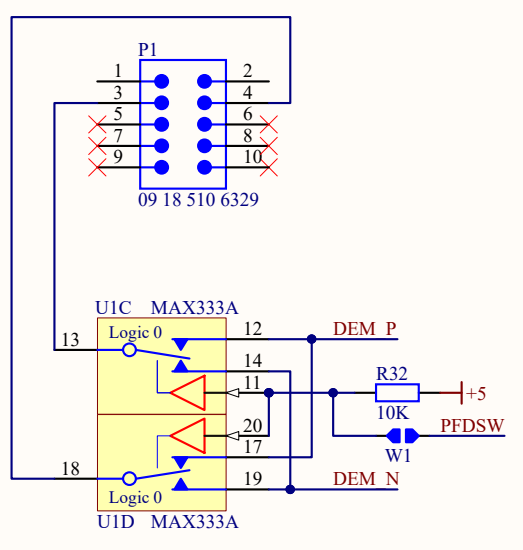
Common Gain



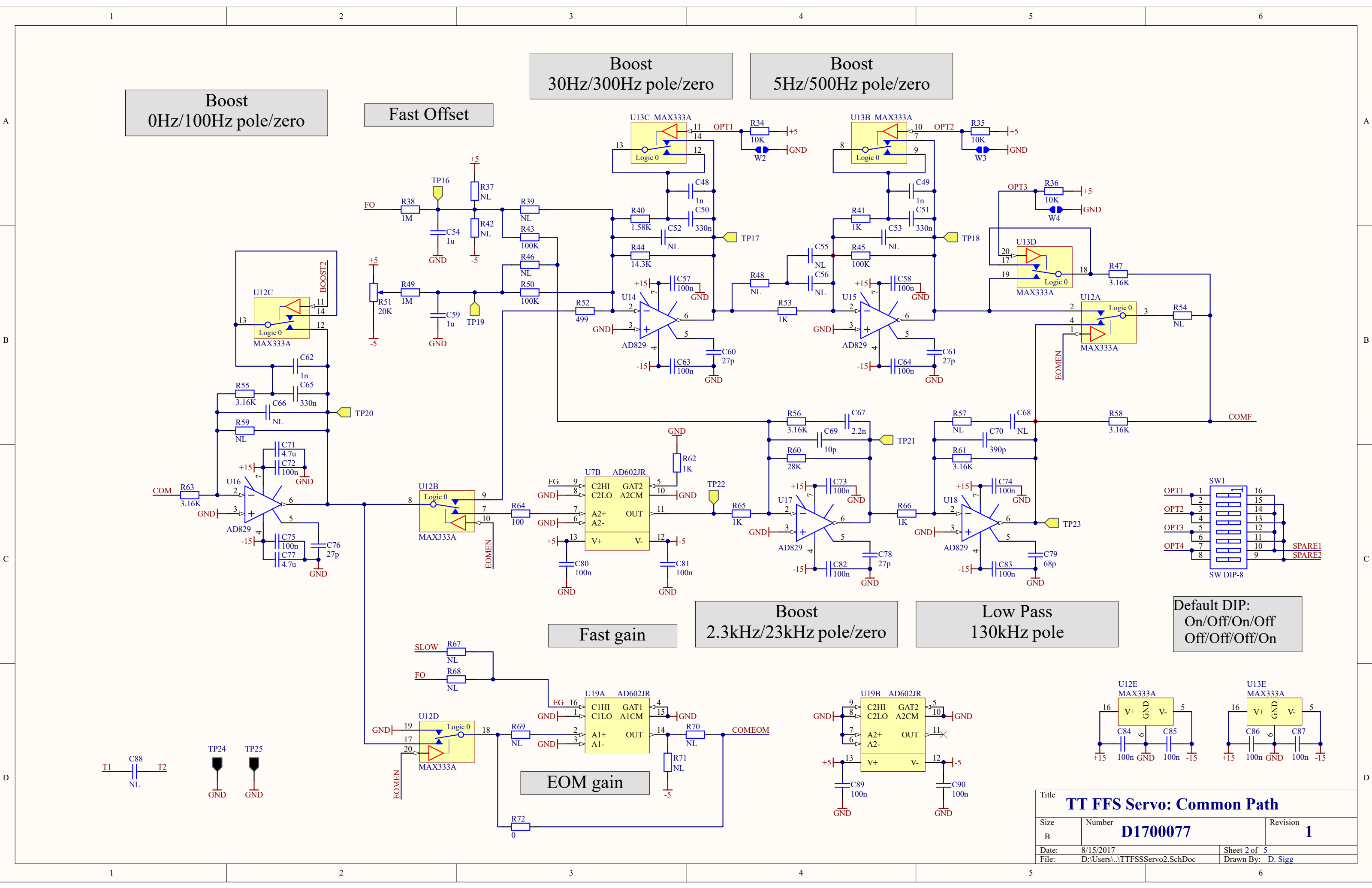
Additive Offset Path

Common Offset

Common Excitation



Title		
TT FFS Servo: Common Path		
Size	Number	Revision
B	D1700077	1
Date:	8/15/2017	Sheet 1 of 5
File:	D:\Users\...TTFFSServo1.SchDoc	Drawn By: D. Sigg



Title TT FFS Servo: Common Path		
Size B	Number D1700077	Revision 1
Date: 8/15/2017	Sheet 2 of 5	
File: D:\Users\...\TTFFSServo2.SchDoc	Drawn By: D. Sigg	

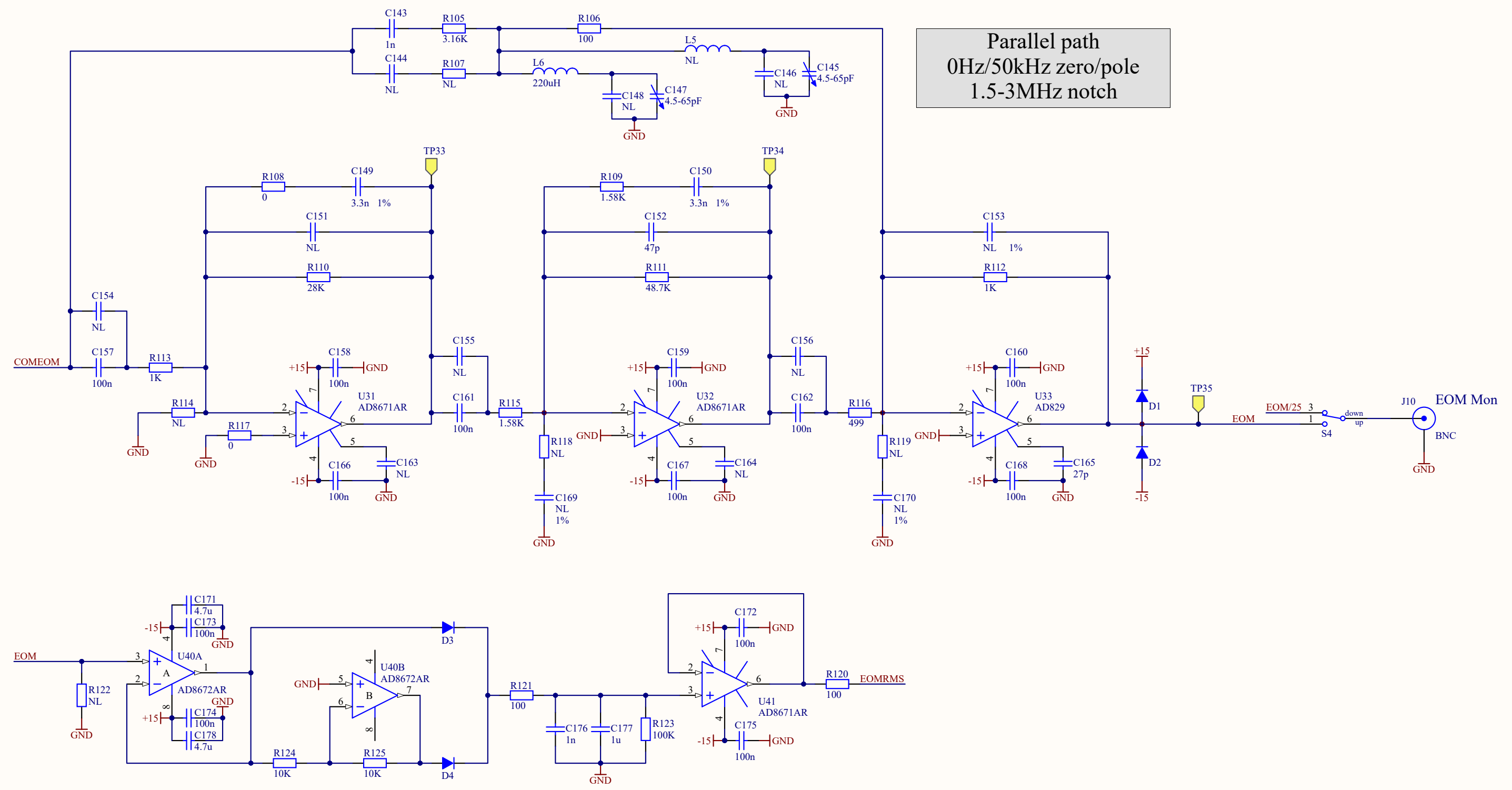
Boost
 0Hz/1.6kHz zero/pole
 1.7kHz pole

Boost
 0Hz/1.2kHz zero/pole
 1kHz/32kHz pole/zero

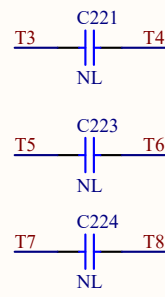
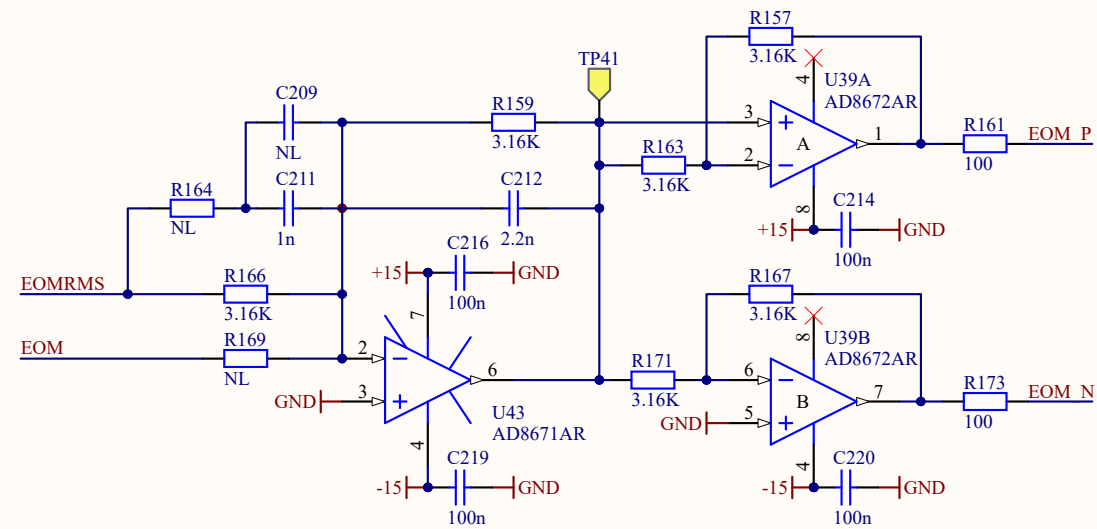
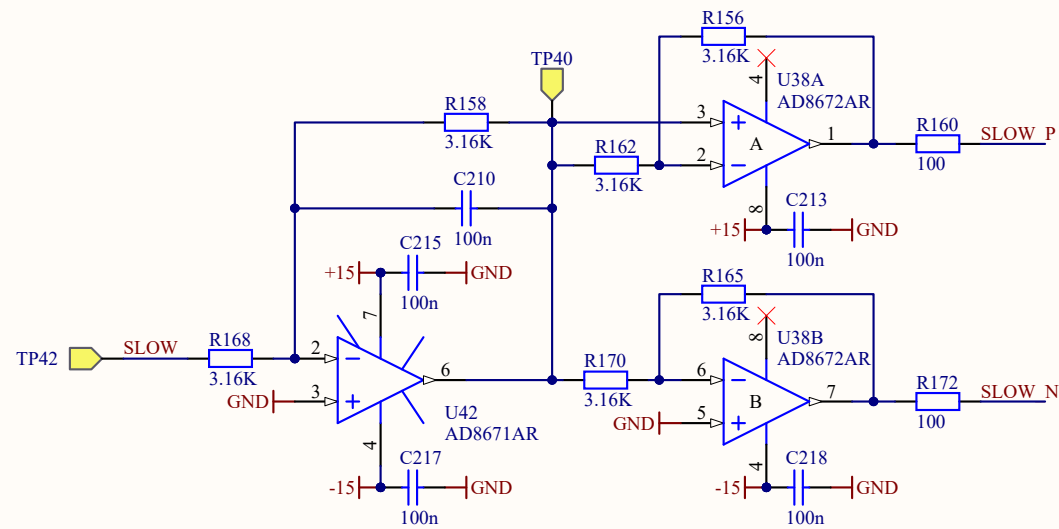
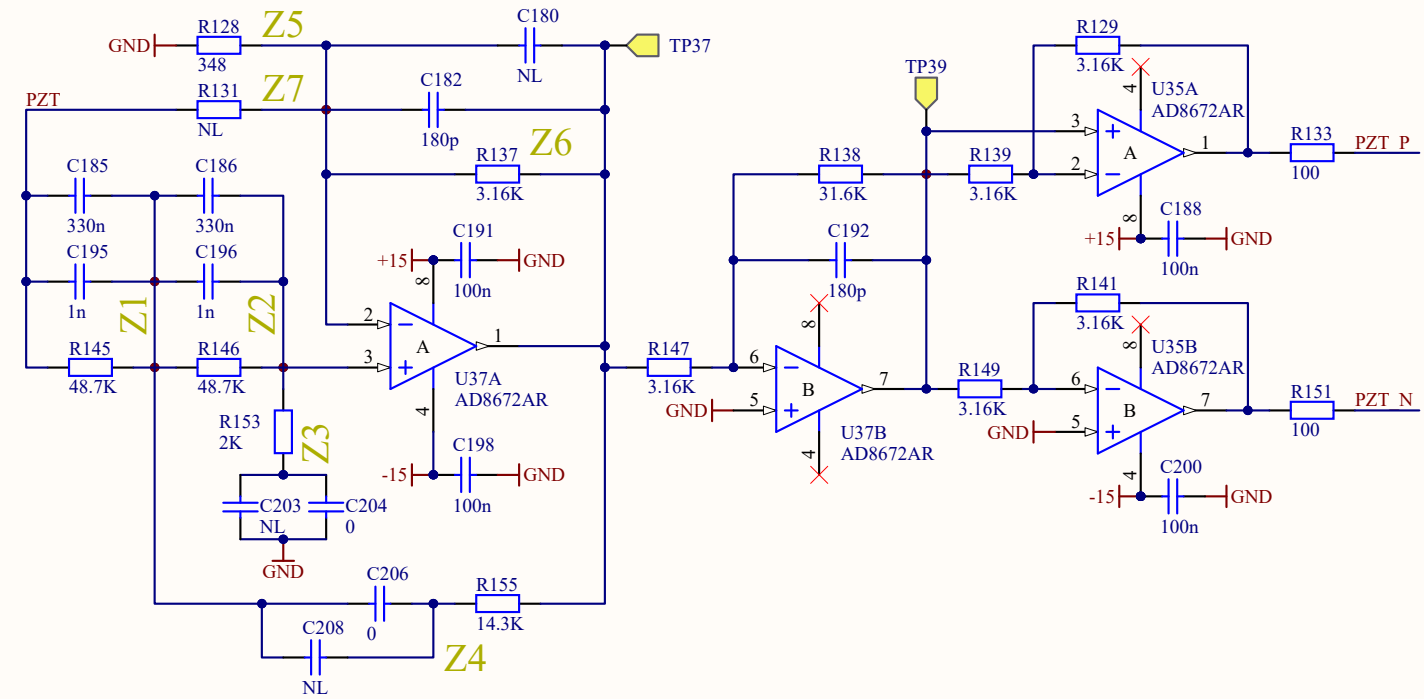
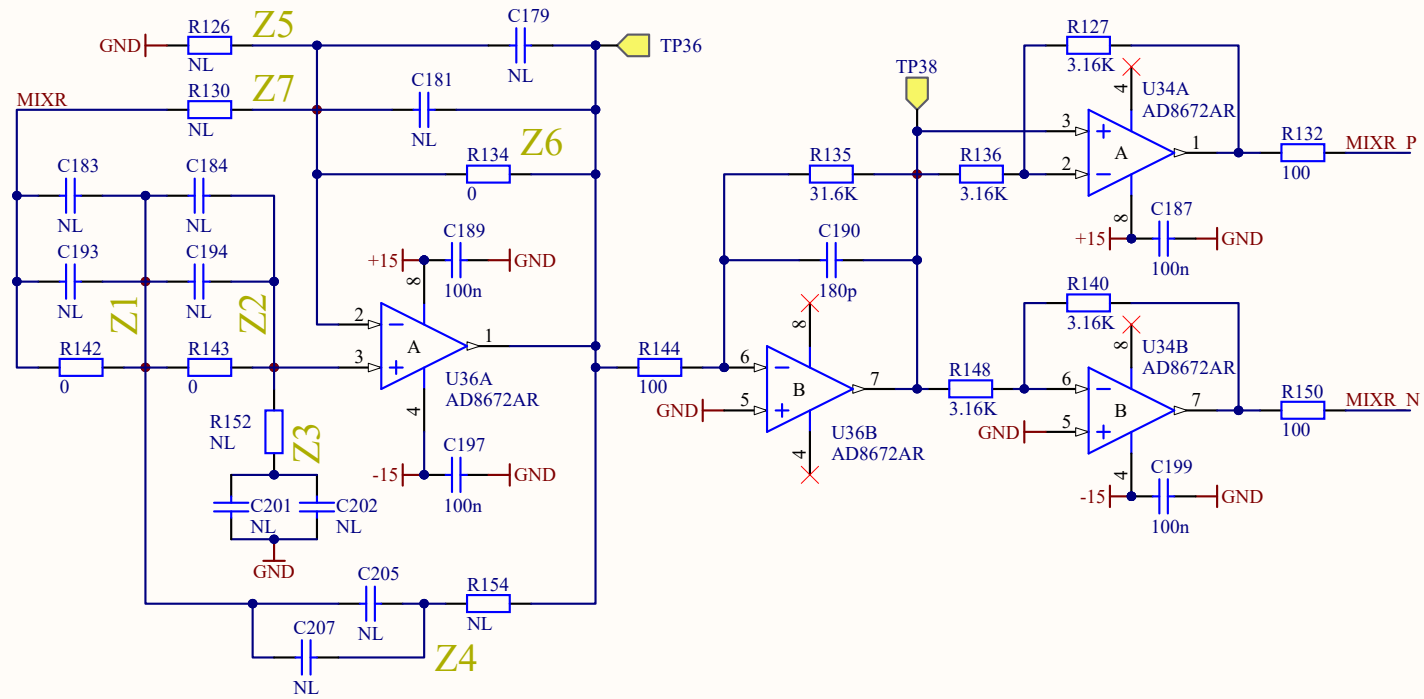
Boost
 0Hz/3.2kHz pole/zero

Parallel path
 0Hz/50kHz zero/pole
 1.5-3MHz notch

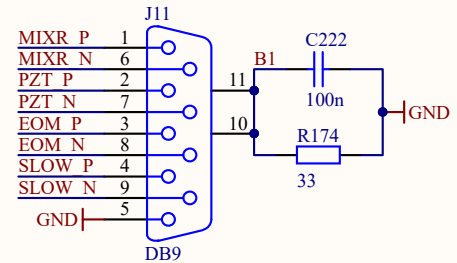
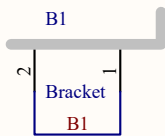
RMS Detector



Title		
TT FFS Servo: EOM Path		
Size	Number	Revision
B	D1700077	1
Date:	8/15/2017	Sheet 4 of 5
File:	D:\Users\...\TTFSSServo4.SchDoc	Drawn By: D. Sigg



- H1 #4 screw, 3/8"
- H2 #4 screw, 3/8"
- McMaster-Carr 90272A108
- H3 #4 lock washer
- H4 #4 lock washer
- McMaster-Carr 91113A005
- H5 #4 nut
- H6 #4 nut
- McMaster-Carr 90480A005



Title		
TT FFS: DAQ Path		
Size	Number	Revision
B	D1700077	1
Date:	8/15/2017	Sheet 5 of 5
File:	D:\Users\...\TTFFSServo5.SchDoc	Drawn By: D. Sigg