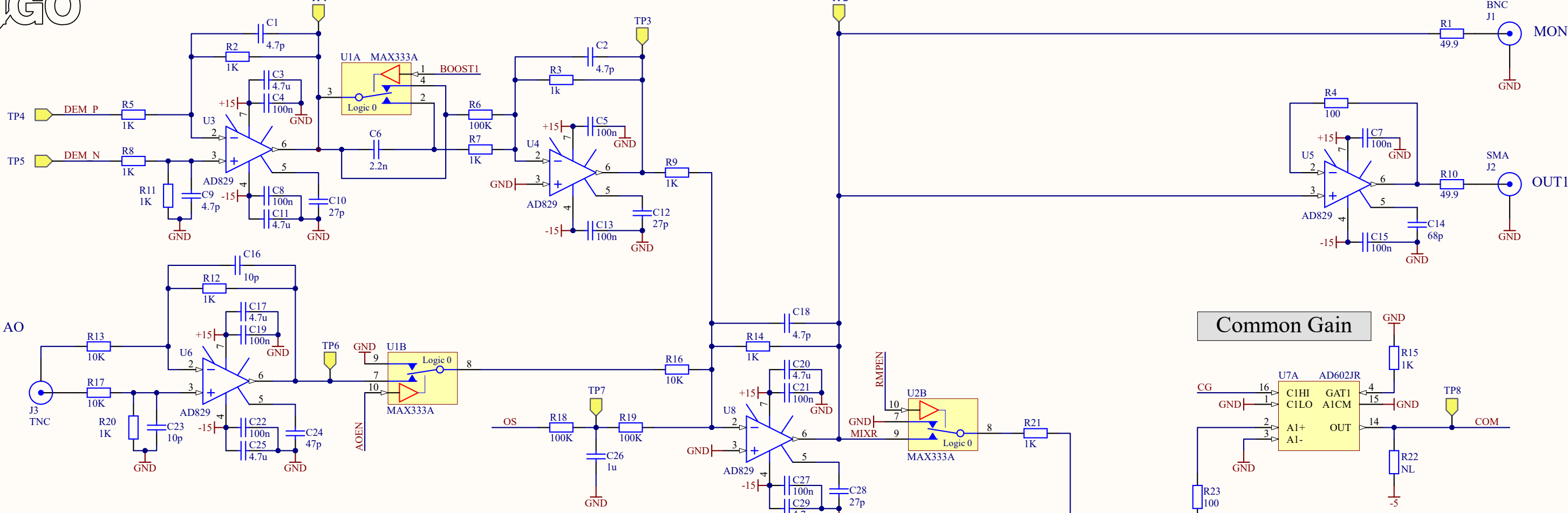


Anti-Boost
750Hz/75kHz zero/pole

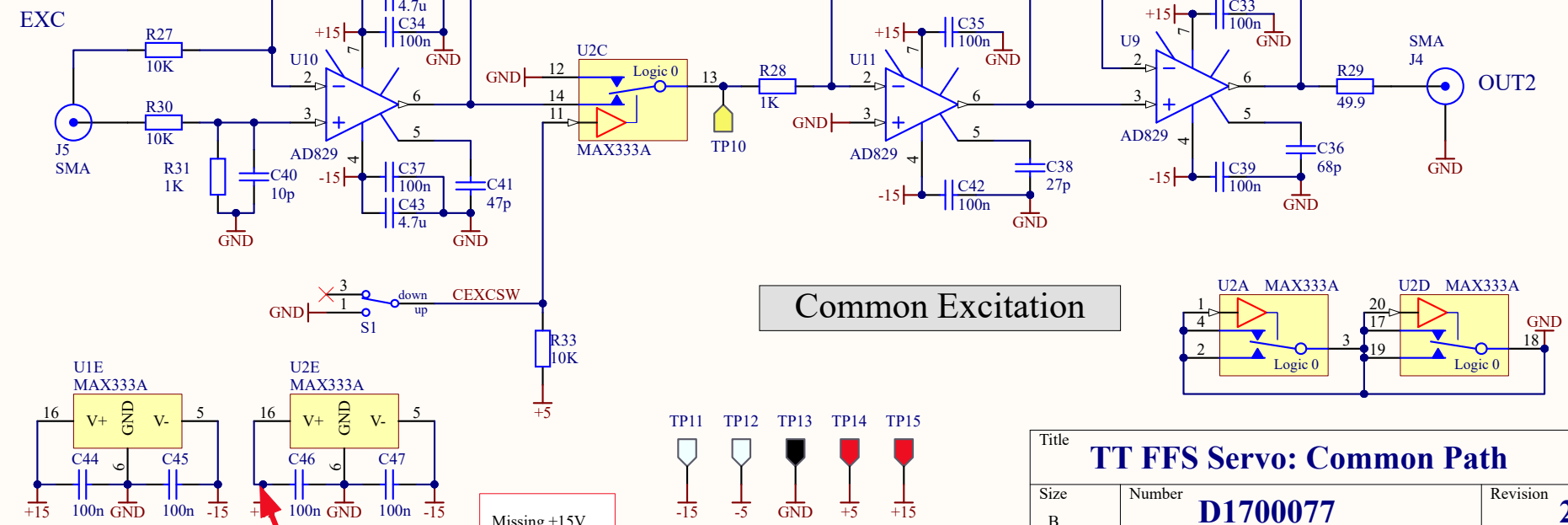
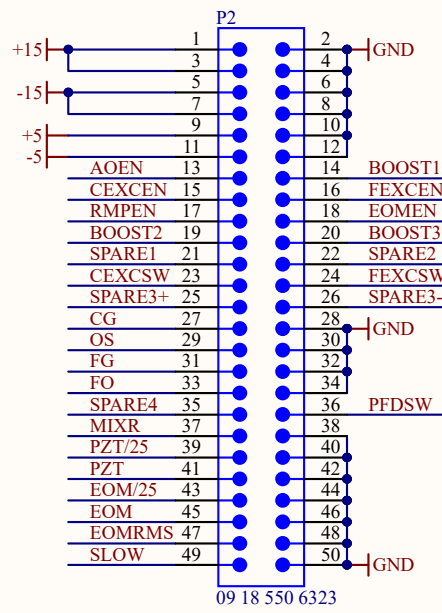
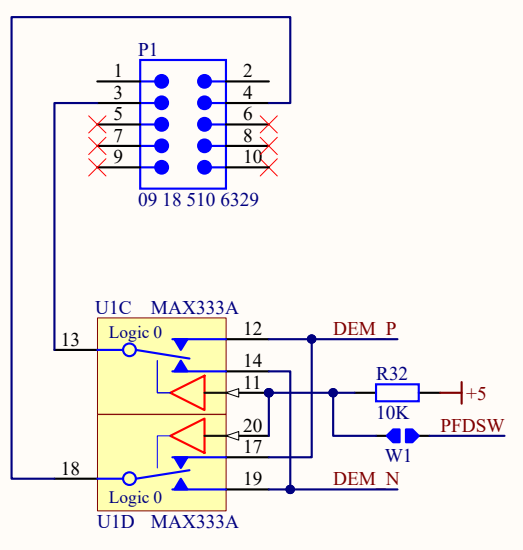
Common Gain



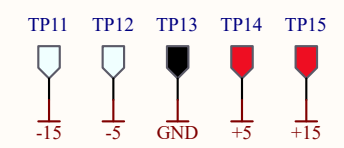
Additive Offset Path

Common Offset

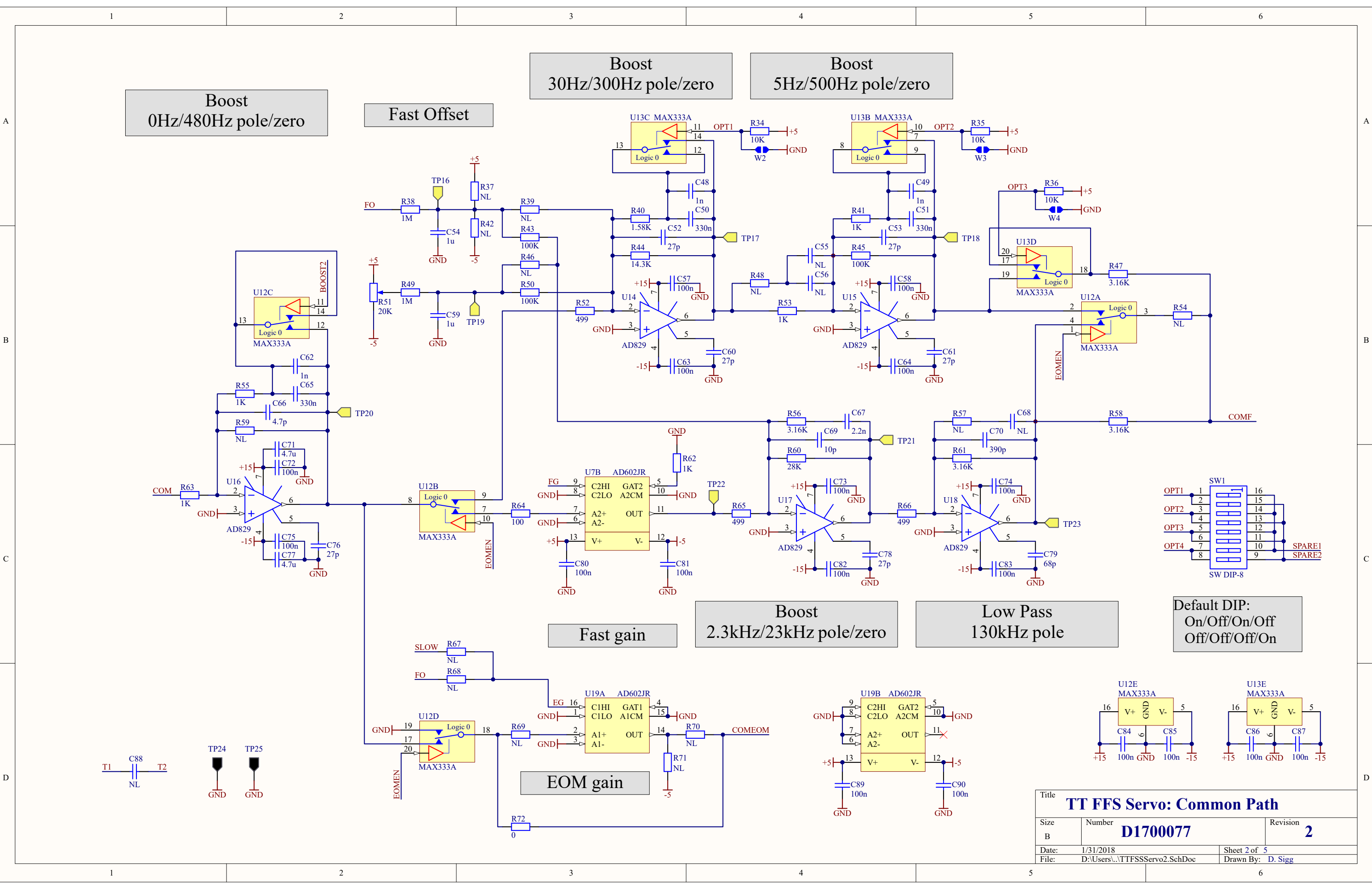
Common Excitation



Missing +15V see E1700364

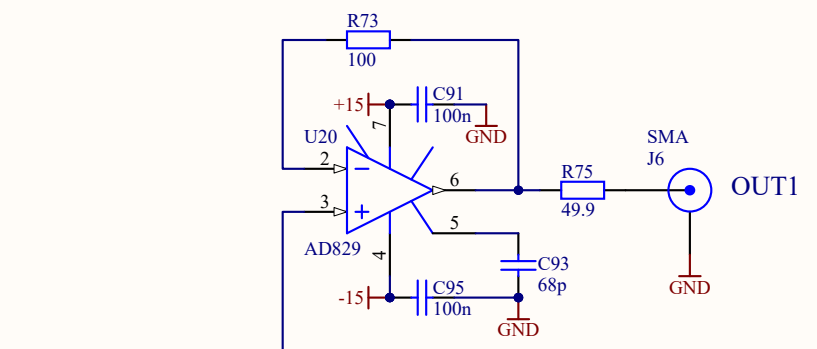
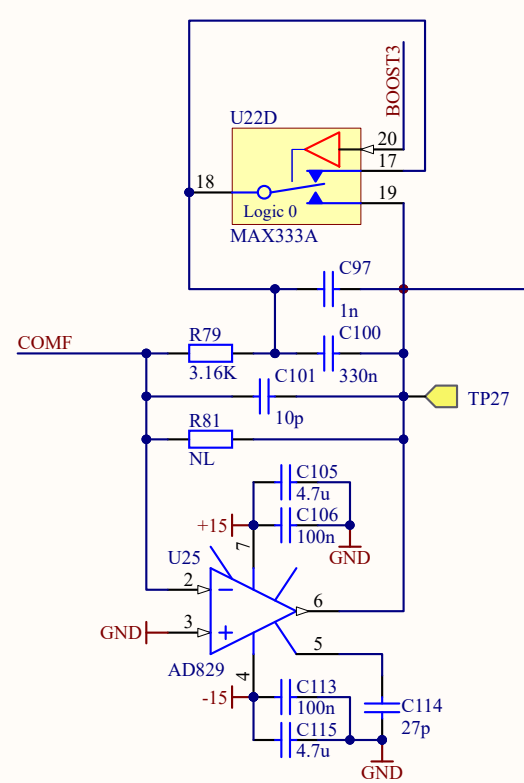


Title		
TT FFS Servo: Common Path		
Size	Number	Revision
B	D1700077	2
Date:	1/31/2018	Sheet 1 of 5
File:	D:\Users\...TTFFSServo1.SchDoc	Drawn By: D. Sigg

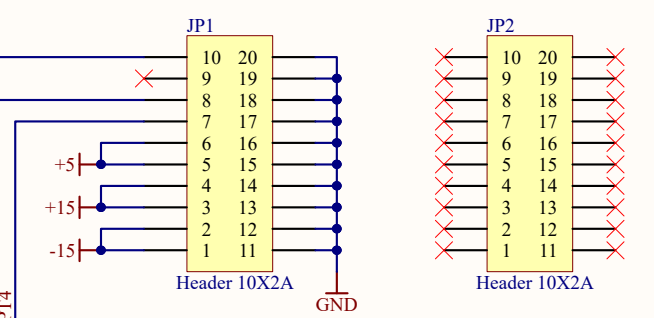


Title TT FFS Servo: Common Path		
Size B	Number D1700077	Revision 2
Date: 1/31/2018	Sheet 2 of 5	
File: D:\Users\...\TTFFSServo2.SchDoc	Drawn By: D. Sigg	

**Boost
0Hz/150Hz pole/zero**

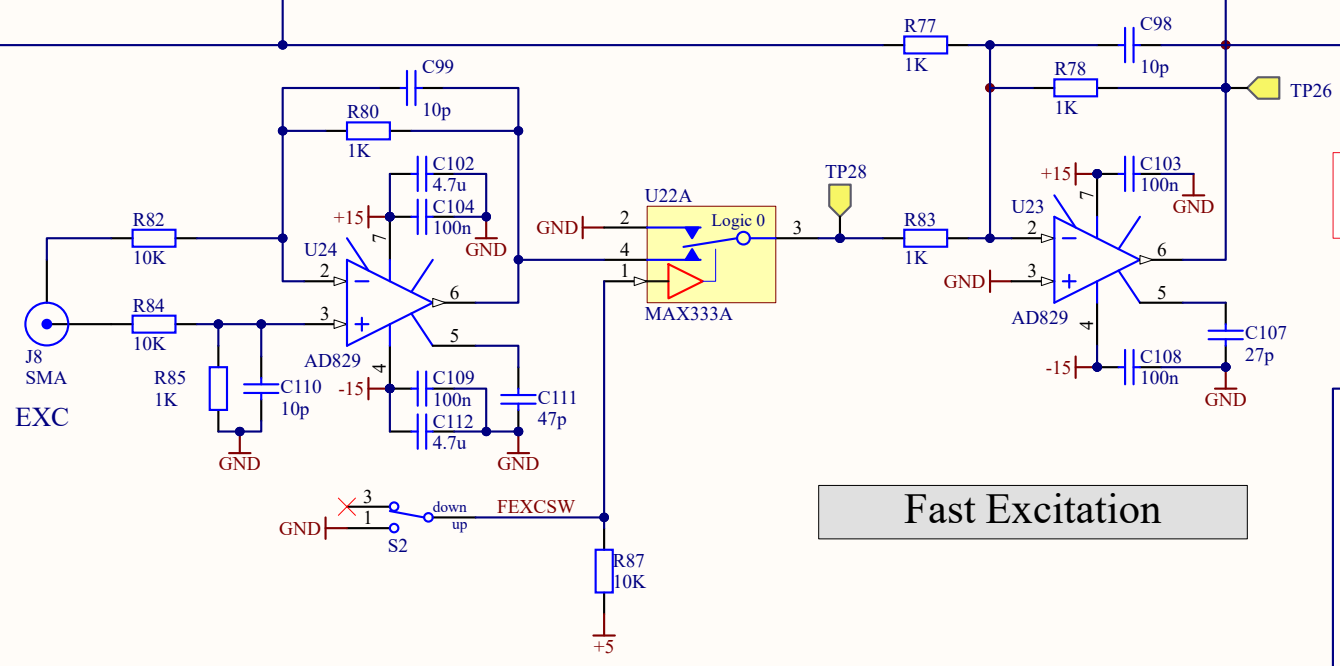


optional daughter board



- M1 M3 standoff, 12mm
- M2 M3 pan, 8mm
- M3 M3 standoff, 12mm
- M4 M3 pan, 8mm
- M5 M3 standoff, 12mm
- M6 M3 pan, 8mm
- M7 M3 standoff, 12mm
- M8 M3 pan, 8mm
- M9 M3 standoff, 12mm
- M10 M3 pan, 8mm
- M11 M3 standoff, 12mm
- M12 M3 pan, 8mm
- Mouser 761-M1259-3005-SS
- M13 M3 pan, 8mm
- M14 M3 pan, 8mm
- M15 M3 pan, 8mm
- M16 M3 pan, 8mm
- M17 M3 pan, 8mm
- M18 M3 pan, 8mm
- McMaster-Carr 90317A115

Fast Excitation

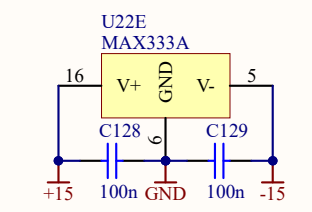
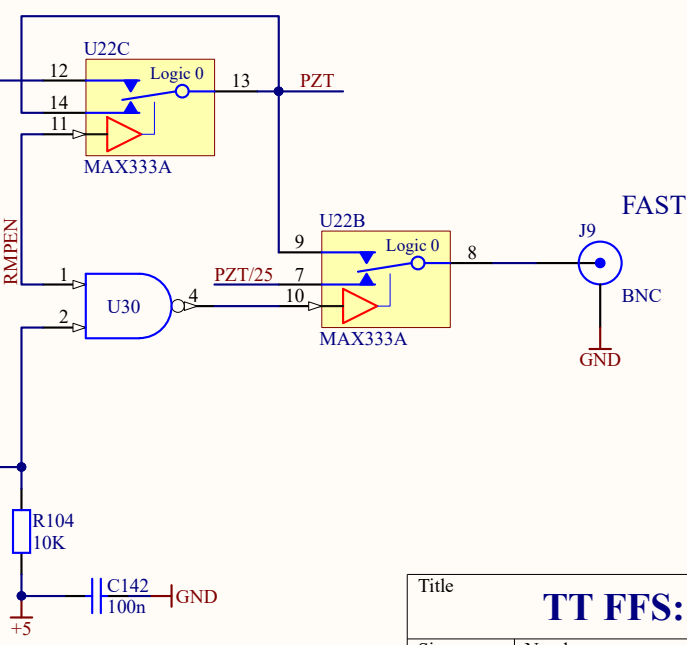
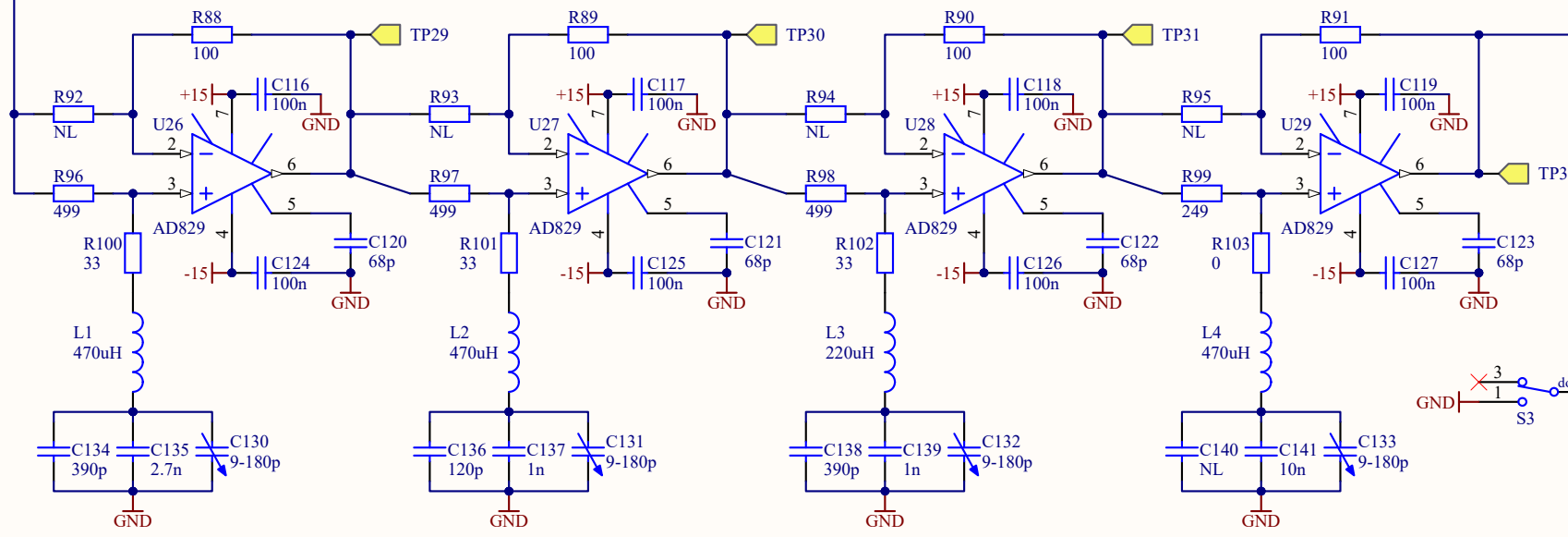


Notch 130kHz

Notch 210kHz

Notch 280kHz

Notch 73 kHz



Title TT FFS: PZT Path		
Size B	Number D1700077	Revision 2
Date: 1/31/2018	Sheet 3 of 5	
File: D:\Users\...TTFFSServo3.SchDoc	Drawn By: D. Sigg	

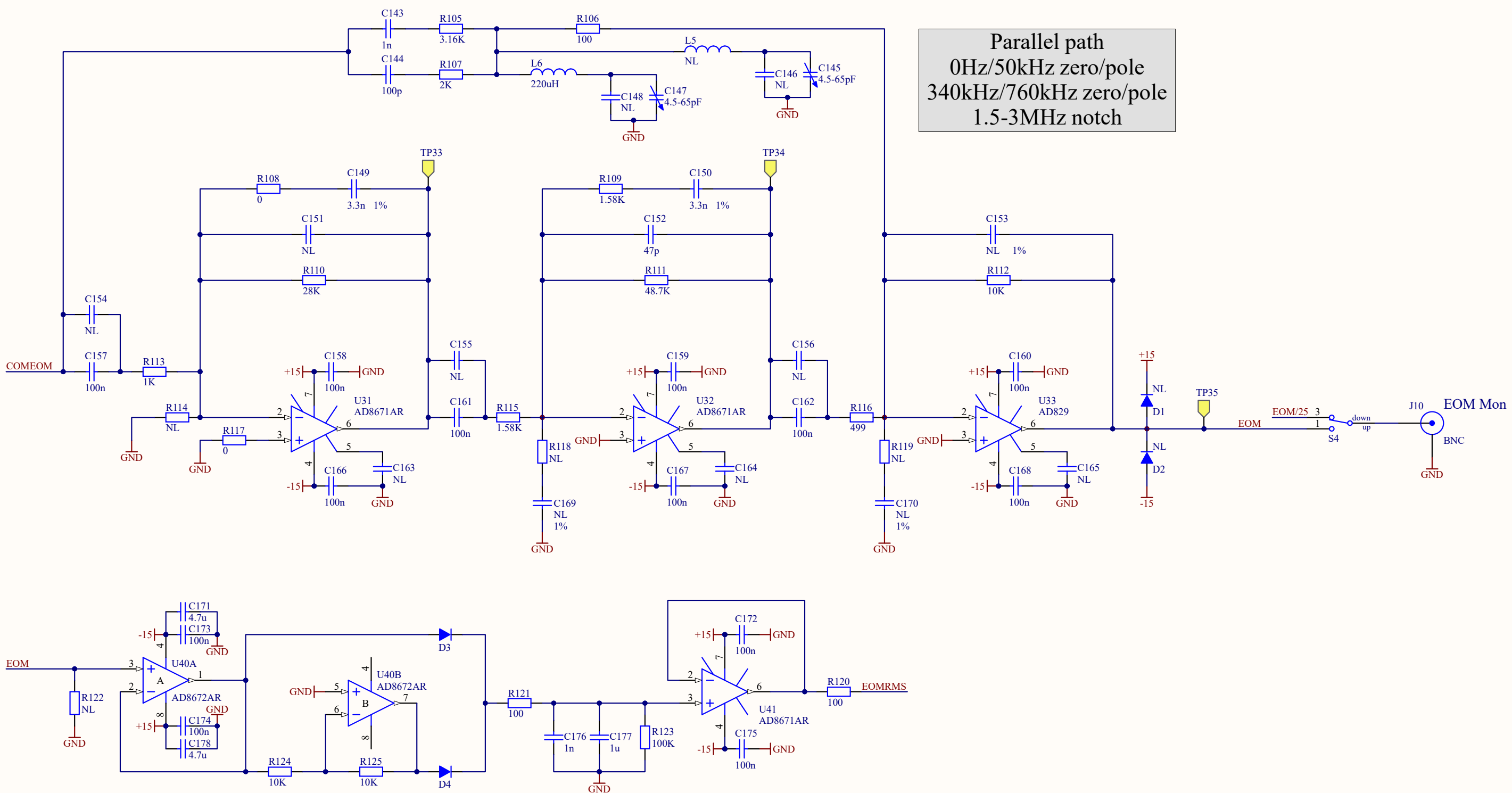
Boost
 0Hz/1.6kHz zero/pole
 1.7kHz pole

Boost
 0Hz/1.2kHz zero/pole
 1kHz/32kHz pole/zero

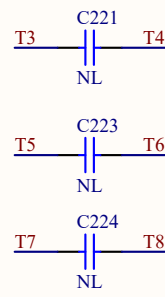
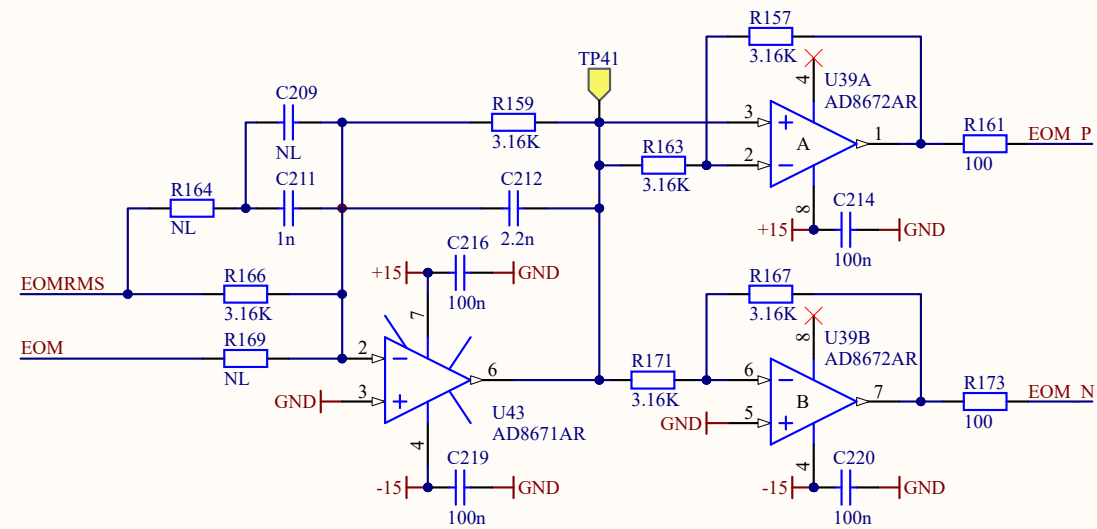
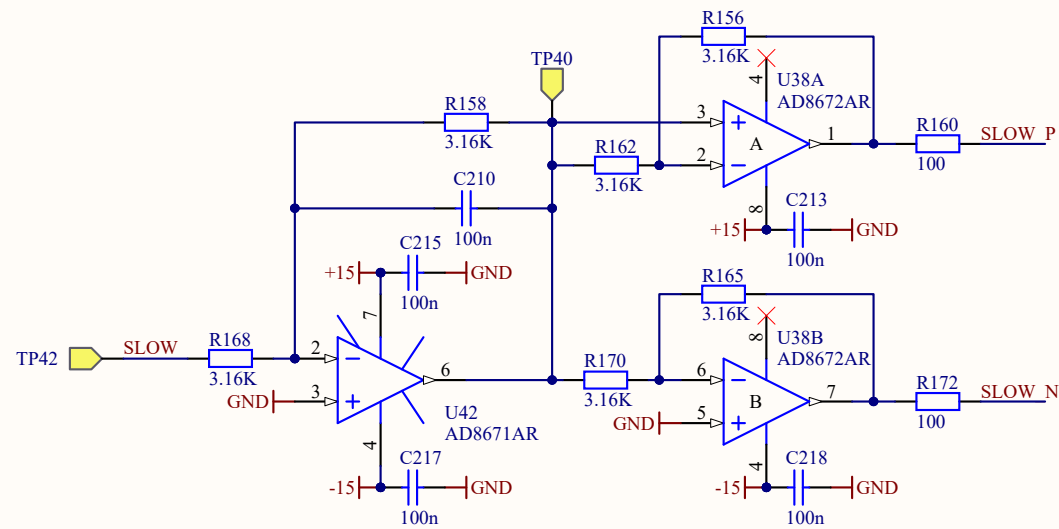
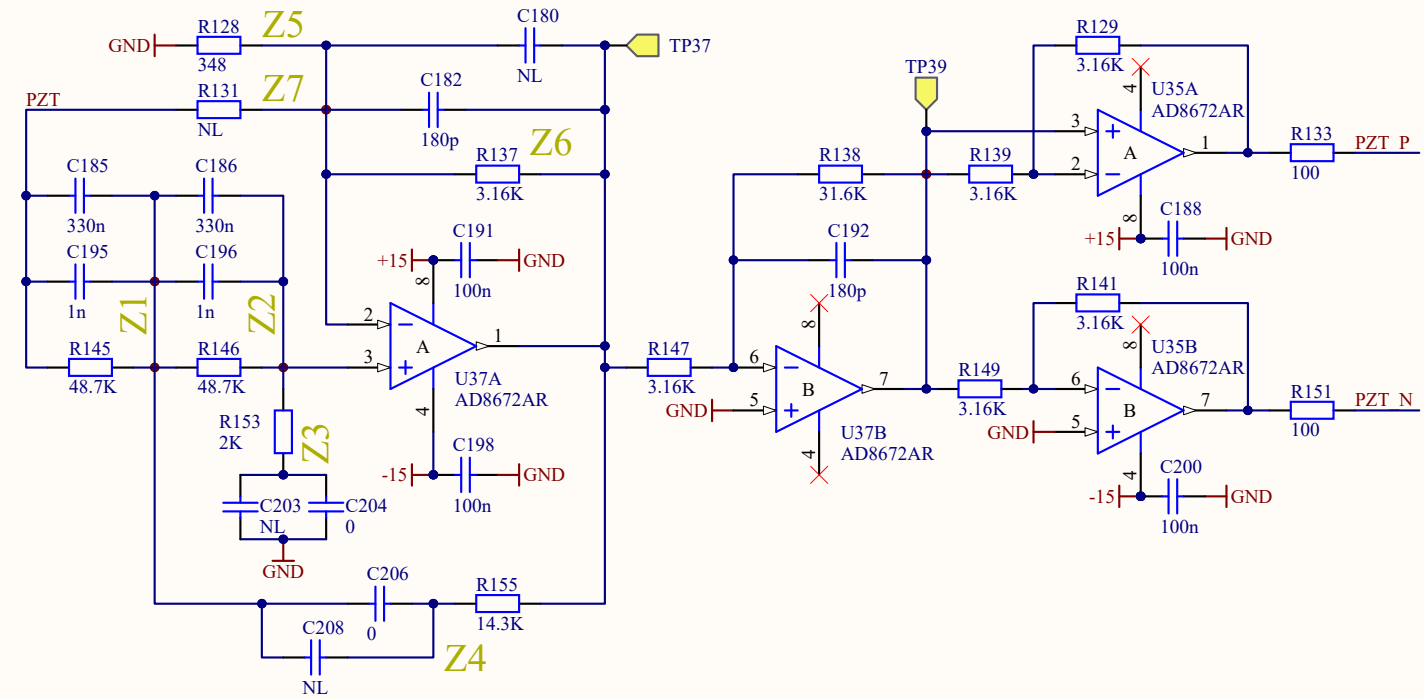
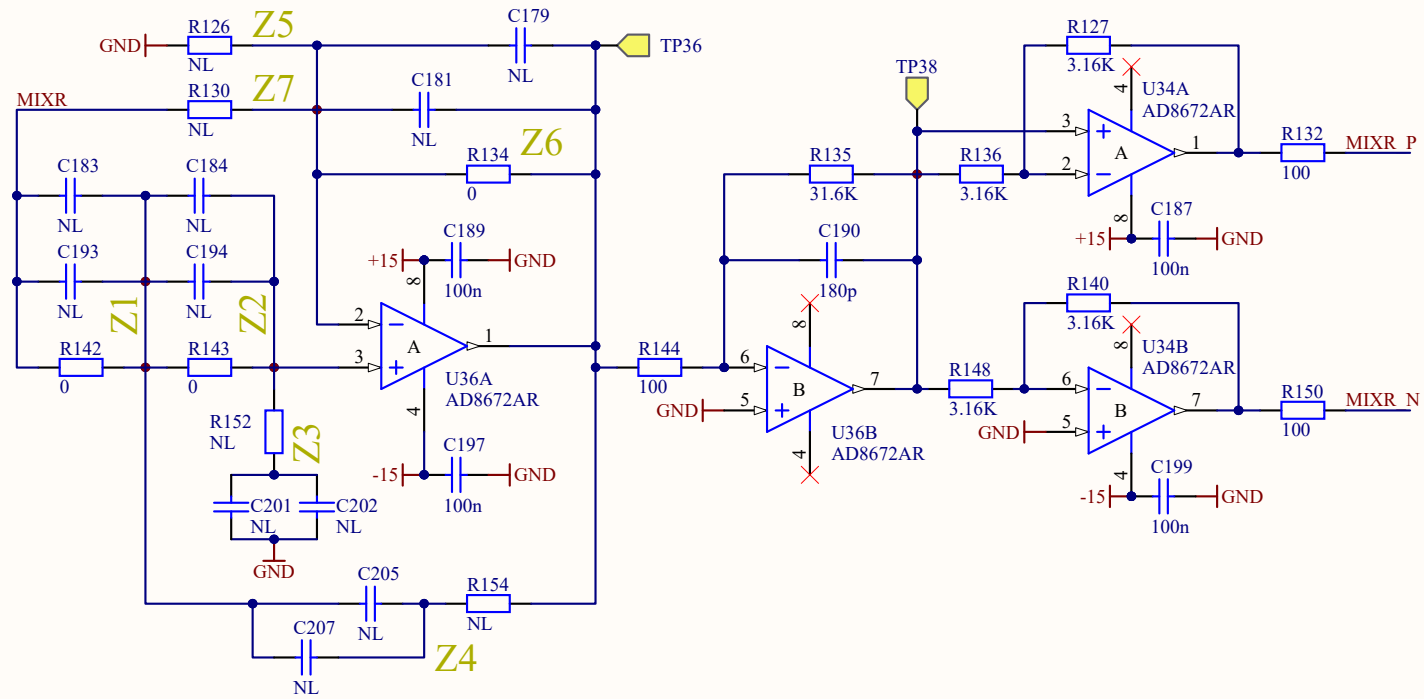
Boost
 0Hz/3.2kHz pole/zero

Parallel path
 0Hz/50kHz zero/pole
 340kHz/760kHz zero/pole
 1.5-3MHz notch

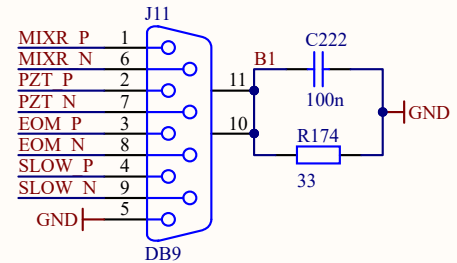
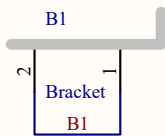
RMS Detector



Title		
TT FFS Servo: EOM Path		
Size	Number	Revision
B	D1700077	2
Date:	1/31/2018	Sheet 4 of 5
File:	D:\Users\...\TTFSSServo4.SchDoc	Drawn By: D. Sigg



- H1 #4 screw, 3/8"
- H2 #4 screw, 3/8"
- McMaster-Carr 90272A108
- H3 #4 lock washer
- H4 #4 lock washer
- McMaster-Carr 91113A005
- H5 #4 nut
- H6 #4 nut
- McMaster-Carr 90480A005



Title		
TT FFS: DAQ Path		
Size	Number	Revision
B	D1700077	2
Date:	1/31/2018	Sheet 5 of 5
File:	D:\Users\...\TTFFSServo5.SchDoc	Drawn By: D. Sigg