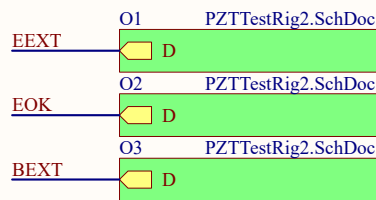
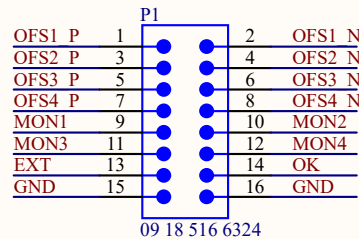
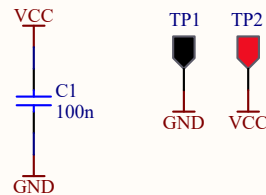
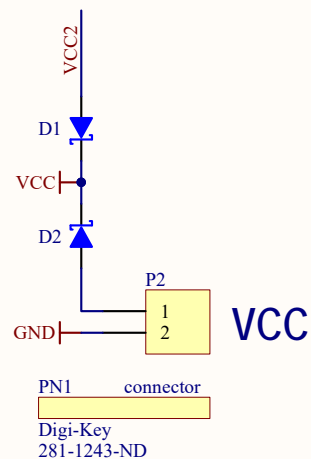
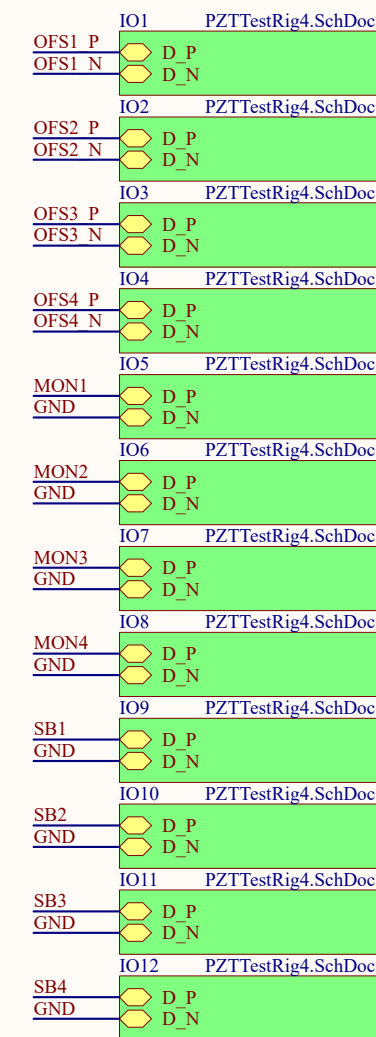
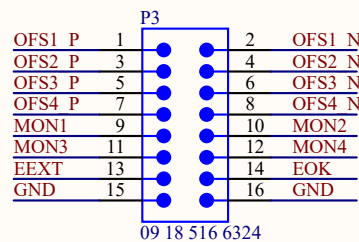


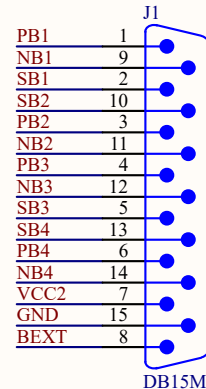
PZT Driver



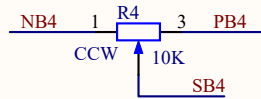
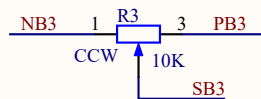
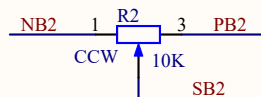
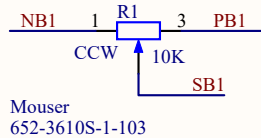
PZT Driver EtherCAT



Bias



Bias Adjust



- PN2 Front Panel
- LIGO
- D1700373-v2
- PN3 Rear Panel
- LIGO
- D1700374-v1
- H1 Handle, 3"
- H2 Handle, 3"
- Mouser
- 534-9109
- H3 Ferrule
- H4 Ferrule
- H5 Ferrule
- H6 Ferrule
- Mouser
- 534-9121
- M1 #6-32 3/8" flat
- M2 #6-32 3/8" flat
- M3 #6-32 3/8" flat
- M4 #6-32 3/8" flat
- McMaster-Carr
- 91099A215

- E1 BNC nut
- E2 BNC nut
- E3 BNC nut
- E4 BNC nut
- E5 BNC nut
- E6 BNC nut
- E7 BNC nut
- E8 BNC nut
- E9 BNC nut
- E10 BNC nut
- E11 BNC nut
- E12 BNC nut
- Newark
- 78M7214

- PN4 flat ribbon
- Digi-Key
- M7PSK-1506J-ND
- PN5 IDC header
- PN6 IDC header
- Digi-Key
- MKC16A-ND
- PN7 Jack screw
- PN8 Jack screw
- PN9 Jack screw
- Newark
- 80K5431
- PN10 Banana jack
- Newark
- 39F1575
- PN11 Banana jack
- Newark
- 39F1574

- H7 Standoff M-F
- H8 Standoff M-F
- H9 Standoff M-F
- H10 Standoff M-F
- H11 Standoff M-F
- H12 Standoff M-F
- H13 Standoff M-F
- H14 Standoff M-F
- H15 Standoff M-F
- H16 Standoff M-F
- H17 Standoff M-F
- H18 Standoff M-F
- Mouser
- 855-R40-3001402
- H19 Standoff F-F
- H20 Standoff F-F
- H21 Standoff F-F
- H22 Standoff F-F
- H23 Standoff F-F
- H24 Standoff F-F
- Mouser
- 855-R40-1002002
- M5 M4-8mm, flat
- M6 M4-8mm, flat
- M7 M4-8mm, flat
- M8 M4-8mm, flat
- M9 M4-8mm, flat
- M10 M4-8mm, flat
- M11 M4-8mm, flat
- M12 M4-8mm, flat
- M13 M4-8mm, flat
- M14 M4-8mm, flat
- M15 M4-8mm, flat
- M16 M4-8mm, flat

Title PZT Driver Tester		
Size B	Number D1700372	Revision 1
Date: 9/1/2017	Sheet 1 of 4	
File: D:\Users\...\PZTTestRig1.SchDoc	Drawn By: Daniel Sigg	

1

2

3

4

A

A

B

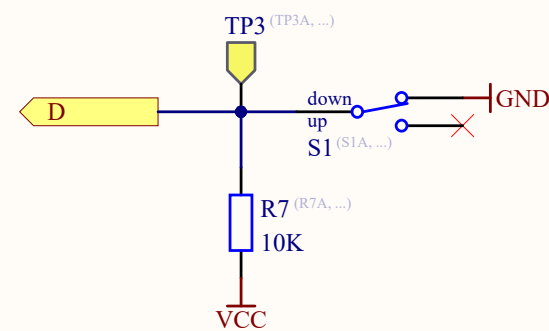
B

C

C

D

D



Title			PZT Driver Tester		
Size	Number	Revision			
A	D1700372	1			
Date:	9/1/2017	Sheet 2 of 4			
File:	D:\Users\...\PZTTestRig2.SchDoc	Drawn By:		Daniel Sigg	

1

2

3

4

1

2

3

4

A

A

B

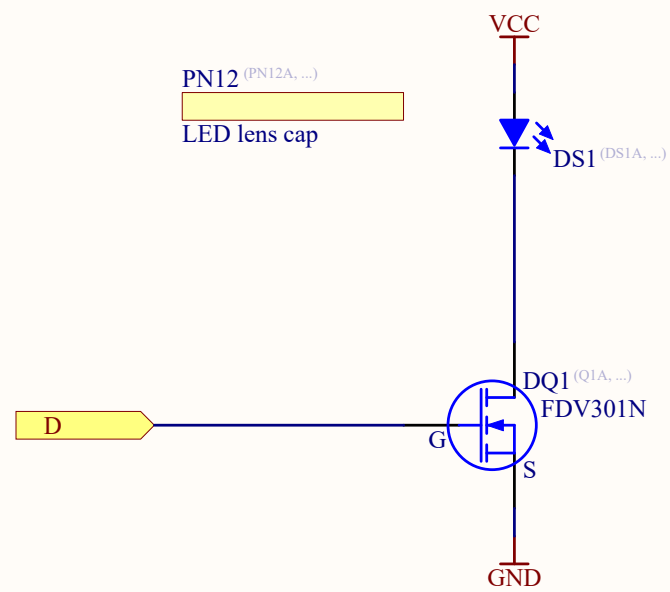
B

C

C

D

D



Title		
PZT Driver Tester		
Size	Number	Revision
A	D1700372	1
Date:	9/1/2017	Sheet 3 of 4
File:	D:\Users\...\PZTTestRig3.SchDoc	Drawn By: Daniel Sigg

1

2

3

4

1

2

3

4

A

A

B

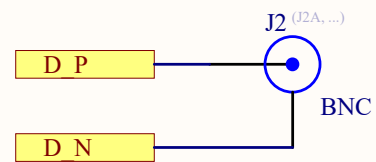
B

C

C

D

D



Title		PZT Driver Tester	
Size	Number	Revision	
A	D1700372	1	
Date:	9/1/2017	Sheet 4 of	4
File:	D:\Users\...\PZTTestRig4.SchDoc	Drawn By:	Daniel Sigg

1

2

3

4