

## Squeezer In-Vac. Cable Serving OPO TEC and Thermistors

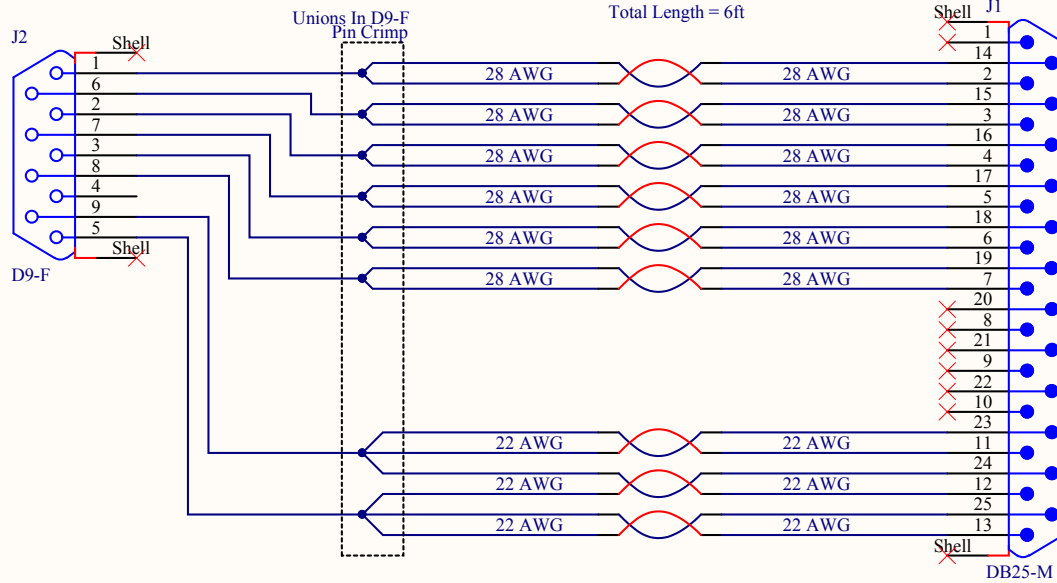
Strain Relief Accu-Glass  
Part Number 100445



D9F Accu-Glass  
Part Number 100440



PEEK Overbraid, No Shield  
Twisted Pair Wires  
Total Length = 6ft



Strain Relief Accu-Glass  
Part Number 100465



Accu-Glass  
Part Number 100421



Last Edited: 9/13/2017

Title  
**Squeezer OPO TEC and Thermistor Cable**

LIGO Laboratory  
California Institute of Technology  
Massachusetts Institute of Technology

**LIGO**

Size: A    DCC Number: D1700439

Revision: V1

Engineer: R. Abbott

Date: 9/13/2017

Time: 5:03:55 PM

File: C:\Rich's Files\Mycadfiles\ISC\Tec Thermistors.SchDoc

Sheet 1 of 1