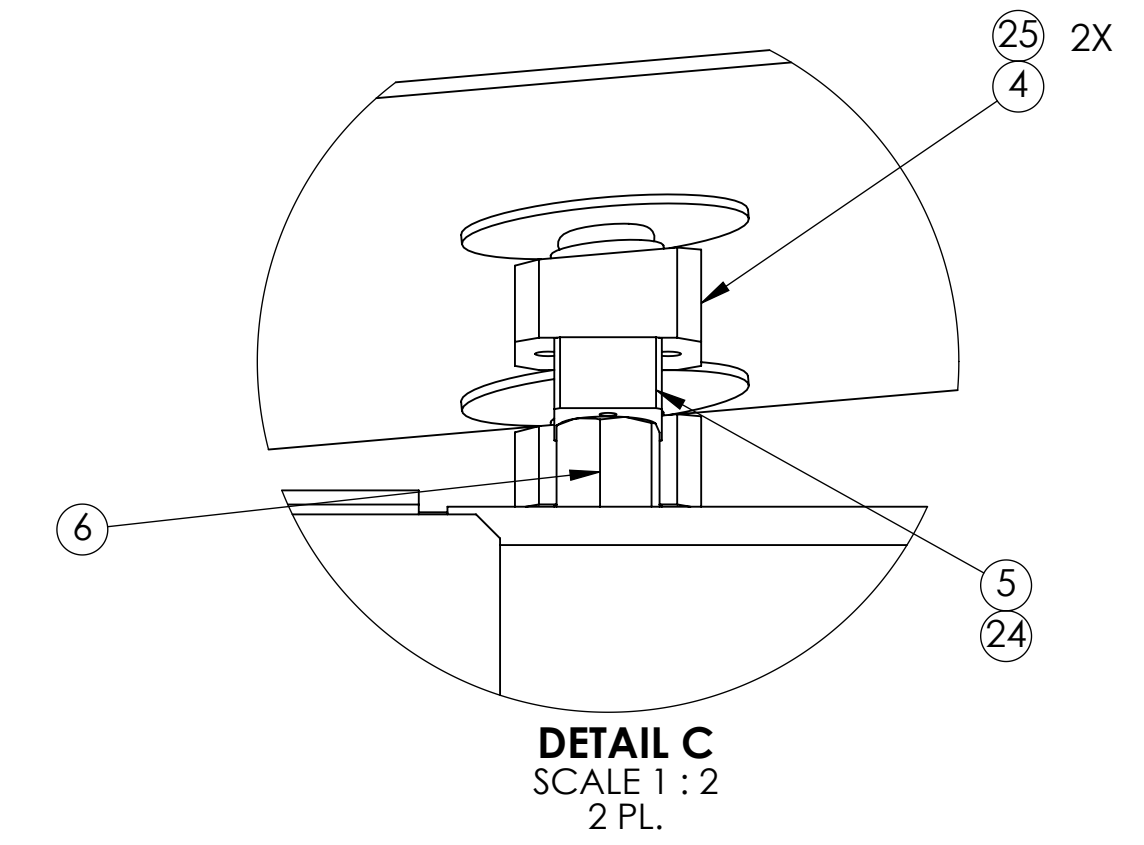
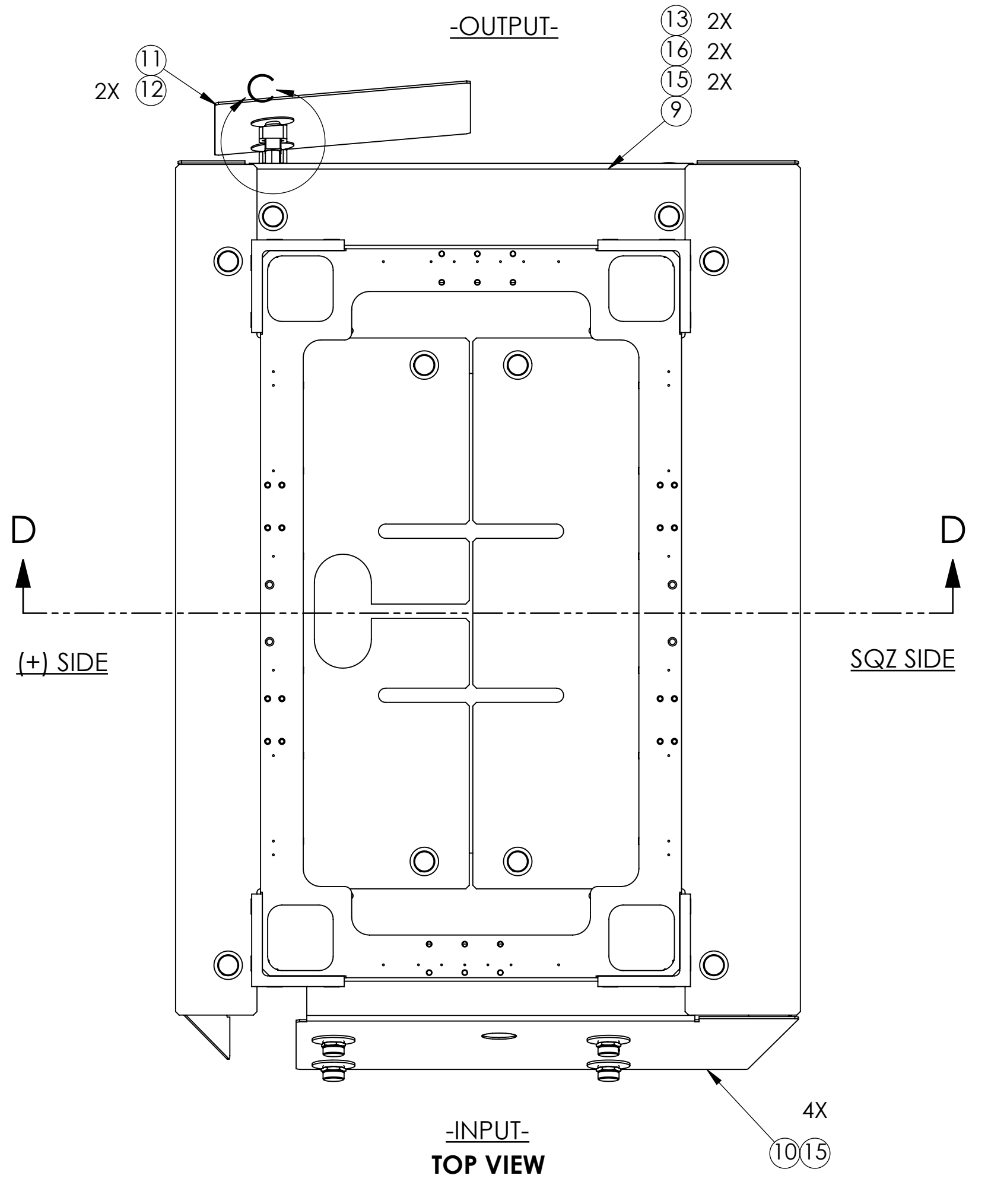
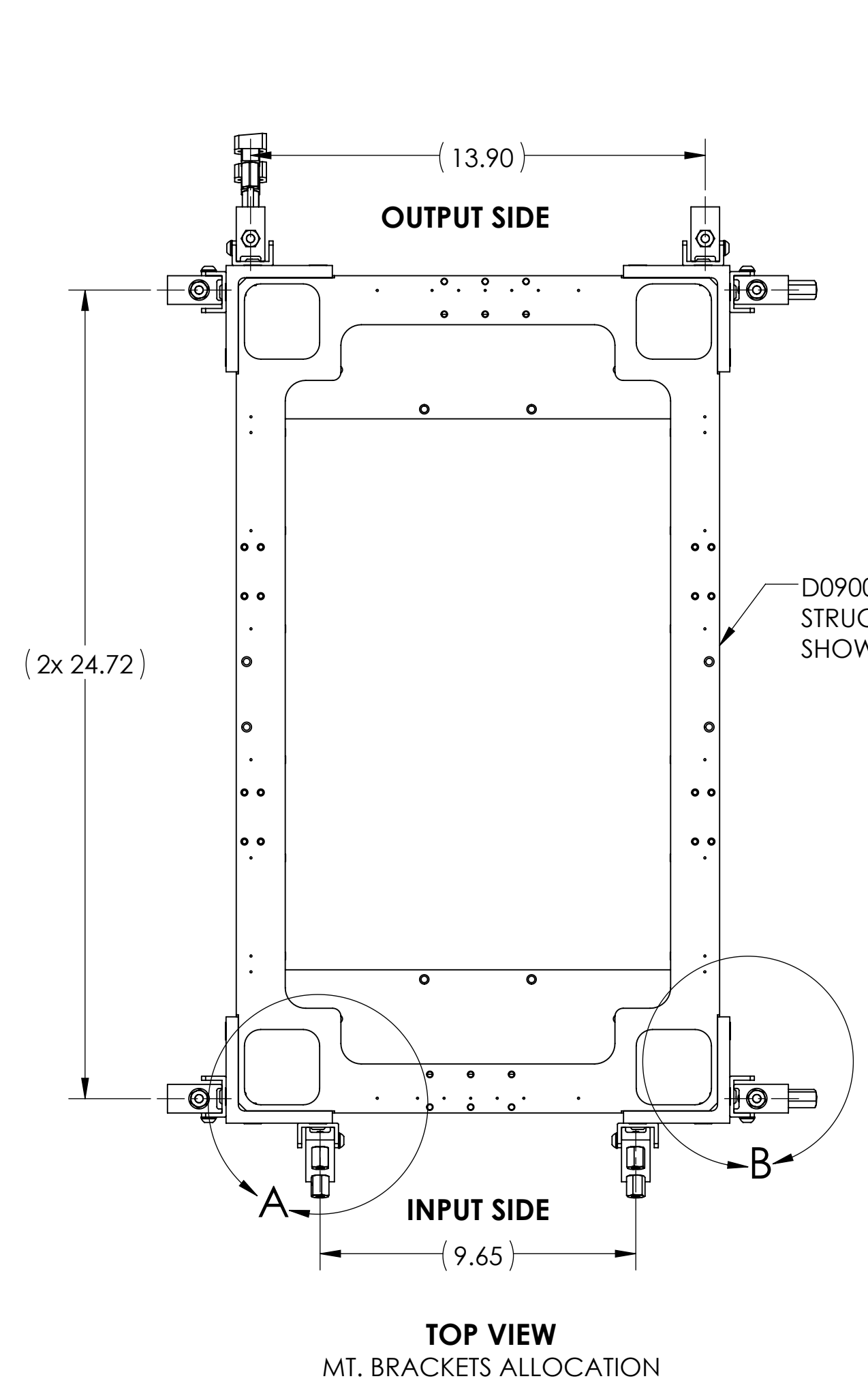
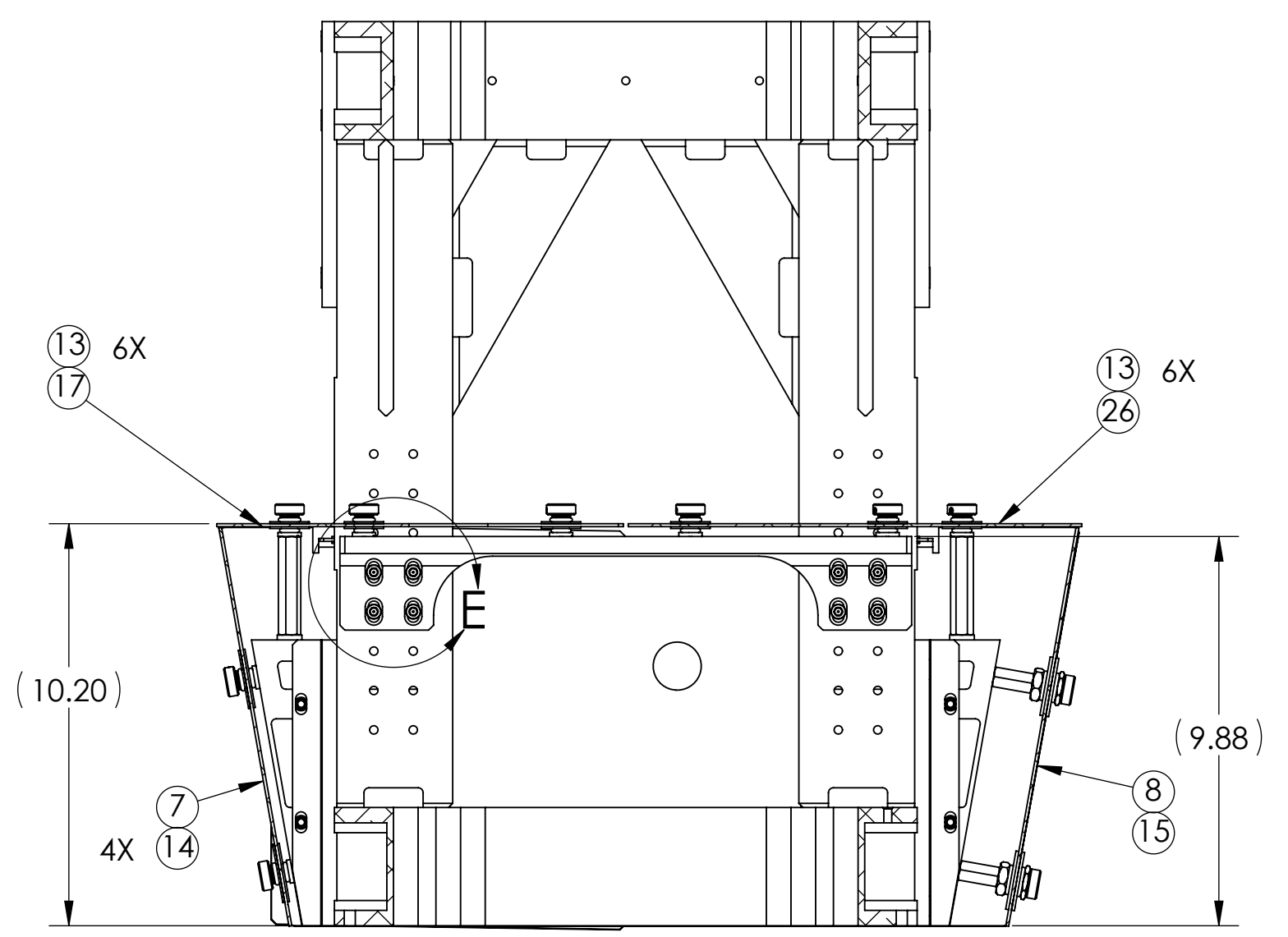
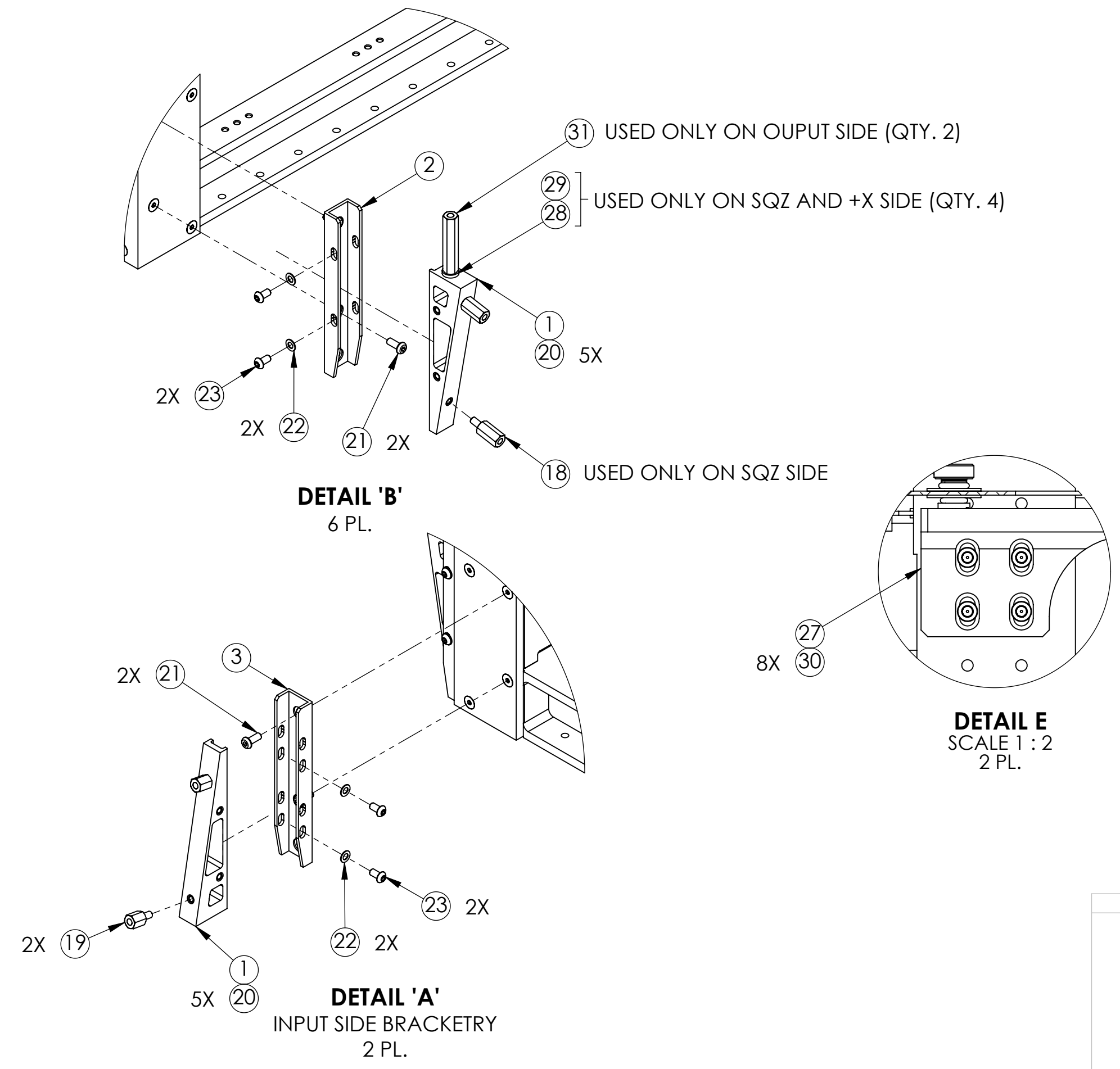


REV.	DATE	DCN #	DRAWING TREE #
v4	07 MAY 2018	E1800136-x0	-
v5	10 MAY 2018	E1800142-x0	-
-	-	-	-



ITEM NO.	PART NUMBER	DESCRIPTION	MATERIAL	VERSION 5, WITH FLAT ROOF/OFI FLAT ROOF TYPE II/QTY.
31	91075A259 McMASTER-CARR OR EQ.	Male-Female Standoff 1/2" Hex, 2-1/4" Long, 1/4"-20 to 1/4"-20 Thread (VENTED)	18-8 SS TL	2
30	MS16995-47 OR EQ.	SCREW, SHC, 1/4-20 X .38 LG.	300 SS TL	16
29	91075A031 McMASTER-CARR OR EQ.	Male-Female Threaded Standoff 1/2" Hex, 2-1/2" Long, 1/4"-20 to 1/4"-20 (VENTED)	18-8 SS TL	4
28	92320A377 McMASTER-CARR	Spacer 5/8" OD, 1/8" Long, for 1/4" Screw Size		4
27	D1800130	aLIGO, SLIC, OFI SHROUD, ROOF SUPPORT BRACKET	6061-T6 Al	2
26	D1800131	aLIGO, SLIC, OFI SHROUD, ROOF	304 SS TL	1
25	MS16995-11 OR EQ.	SCREW, SHC, 4-40 X .50 LG.	300 SS TL	4
24	MS16995-48 OR EQ.	SCREW, SHC, 1/4-20 X .50 LG.	300 SS TL	2
23	BU-2008-NA UC COMPONENTS OR EQ.	SCREW, BHC, 1/4-20 X .50 LG. (Ag PLATED)	Ag-PLATED 300 SS TL	16
22	WF-25 UC COMPONENTS OR EQ.	FLAT WASHER 1/4 SCREW SIZE	18-8 SS TL	16
21	BU-2010-NA UC COMPONENTS OR EQ.	SCREW, BHS, 1/4-20 X .63 LG., Ag PLATED	Ag-PLATED 300 SS TL	16
20	1185-4EN375 EMHART OR EQ.	HELICOIL, 1/4-20 X .375 LG.	NITRONIC 60	40
19	91075A923 McMASTER-CARR OR EQ.	MALE/FEMALE THREADED HEX STANDOFF (VENTED)	18-8 SS TL	4
18	91075A196 McMASTER-CARR OR EQ.	MALE/FEMALE STANDOFF, 1/4-20 X 1.0 Lg. (VENTED)	18-8 SS TL	4
17	D1800131	aLIGO, SLIC, OFI SHROUD, ROOF	304 SS TL	1
16	D1700236-01	aLIGO, SLIC, Captured Shoulder Nut Assy.	N/A	2
15	D1700236	aLIGO, SLIC, Captured Shoulder Nut Assy.	N/A	10
14	D1700232-12	aLIGO, SLIC, BOLT ASSY.	N/A	4
13	D1700232-11	aLIGO, SLIC, BOLT ASSY.	N/A	14
12	D1700232-02	aLIGO, SLIC, BOLT ASSY., BN	N/A	2
11	D1800120	aLIGO, SLIC, OFI SHROUD, SEPTUM VP GHOST BEAM BAFFLE	304 SS TL	1
10	D1800115	aLIGO, SLIC, OFI SHROUD, OUTER PANEL, INPUT SIDE	304 SS TL	1
9	D1800114	aLIGO, SLIC, OFI SHROUD, OUTER PANEL, OUTPUT SIDE	304 SS TL	1
8	D1800113	aLIGO, SLIC, OFI SHROUD, OUTER PANEL, LONG (SQZ SIDE)	304 SS TL	1
7	D1800112	aLIGO, SLIC, OFI SHROUD, OUTER PANEL, LONG (+X SIDE)	304 SS TL	1
6	D1800111	aLIGO, SLIC, OFI SHROUD, MALE/FEMALE STANDOFF, 1/4-20 THREAD (CAPTIVE)	6061-T6 Al	2
5	D1800110	aLIGO, SLIC, OFI SHROUD, WEDGE BASE PLATE	6061-T6 Al	2
4	D1800109	aLIGO, SLIC, OFI SHROUD, 5 DEG. WEDGE	6061-T6 Al	2
3	D1800104-01	aLIGO, SLIC, OFI SHROUD, MT. RAIL	6063-T5	2
2	D1800104	aLIGO, SLIC, OFI SHROUD, MT. RAIL	6063-T5	6
1	D1800096	aLIGO, SLIC, OFI SHROUD, MT. BRACKET	6061-T6 Al	8



NOTES AND TOLERANCES: (UNLESS OTHERWISE SPECIFIED)

DIMENSIONS ARE IN INCHES

MATERIAL: -- FINISH: -- μinch

LIGO CALIFORNIA INSTITUTE OF TECHNOLOGY MASSACHUSETTS INSTITUTE OF TECHNOLOGY

SYSTEM: ADVANCED LIGO SUB-SYSTEM: AOS

PART NAME: aLIGO, AOS, SLIC, OFI SHROUD

DESIGNER: E.SANCHEZ 20 APR 2018 SIZE: D DWG. NO.: D1800103 REV.: v5

DRAFTER: E.SANCHEZ 07 MAY 2018

CHECKER: SEE DCC

APPROVAL: SEE DCC

SCALE: 1:4 PROJECTION: SHEET 1 OF 1

D1800103 aLIGO, AOS, SLIC OFI SHROUD, PART PDM REV: X-003, DRAWING PDM REV: X-002