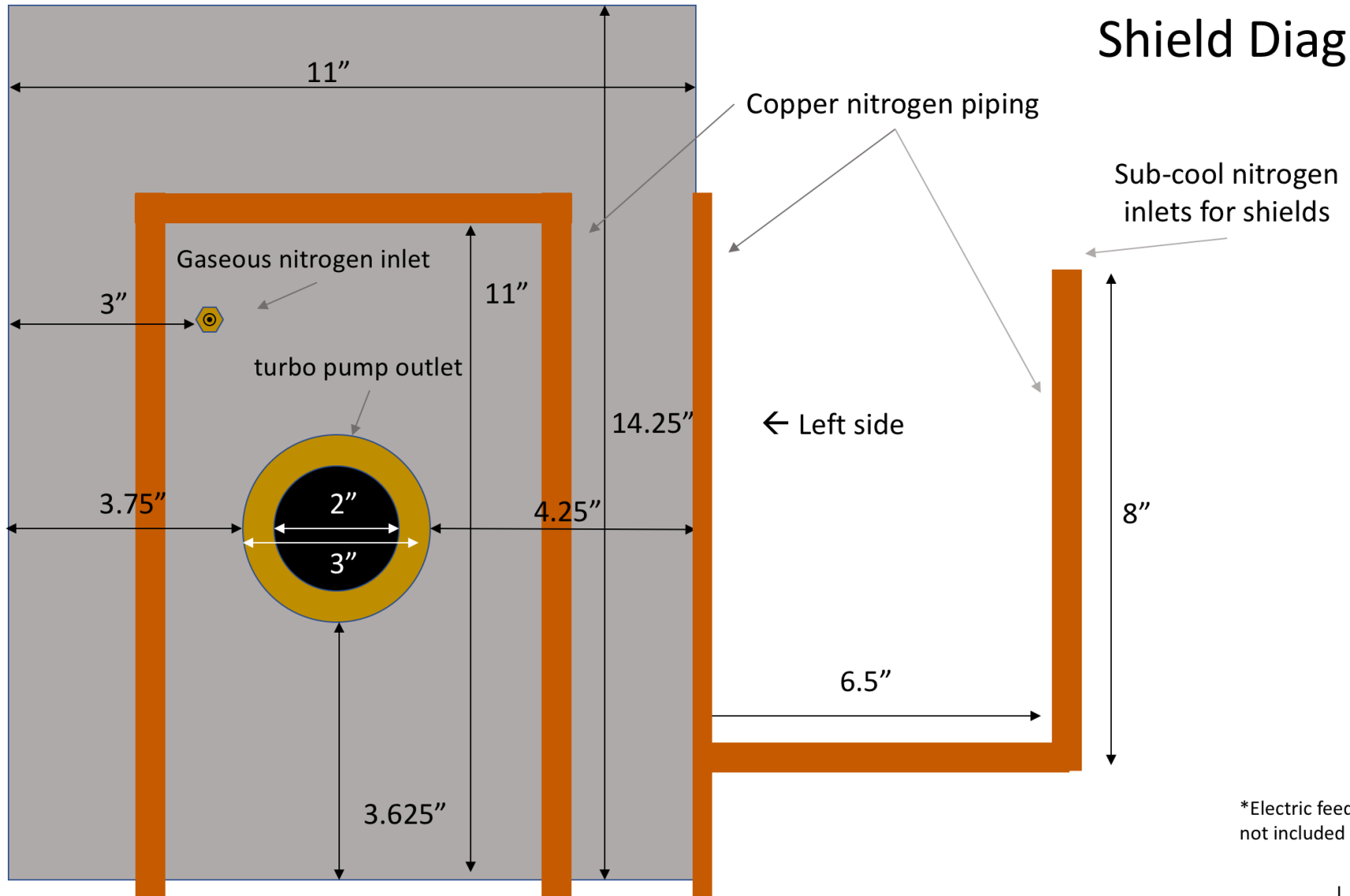
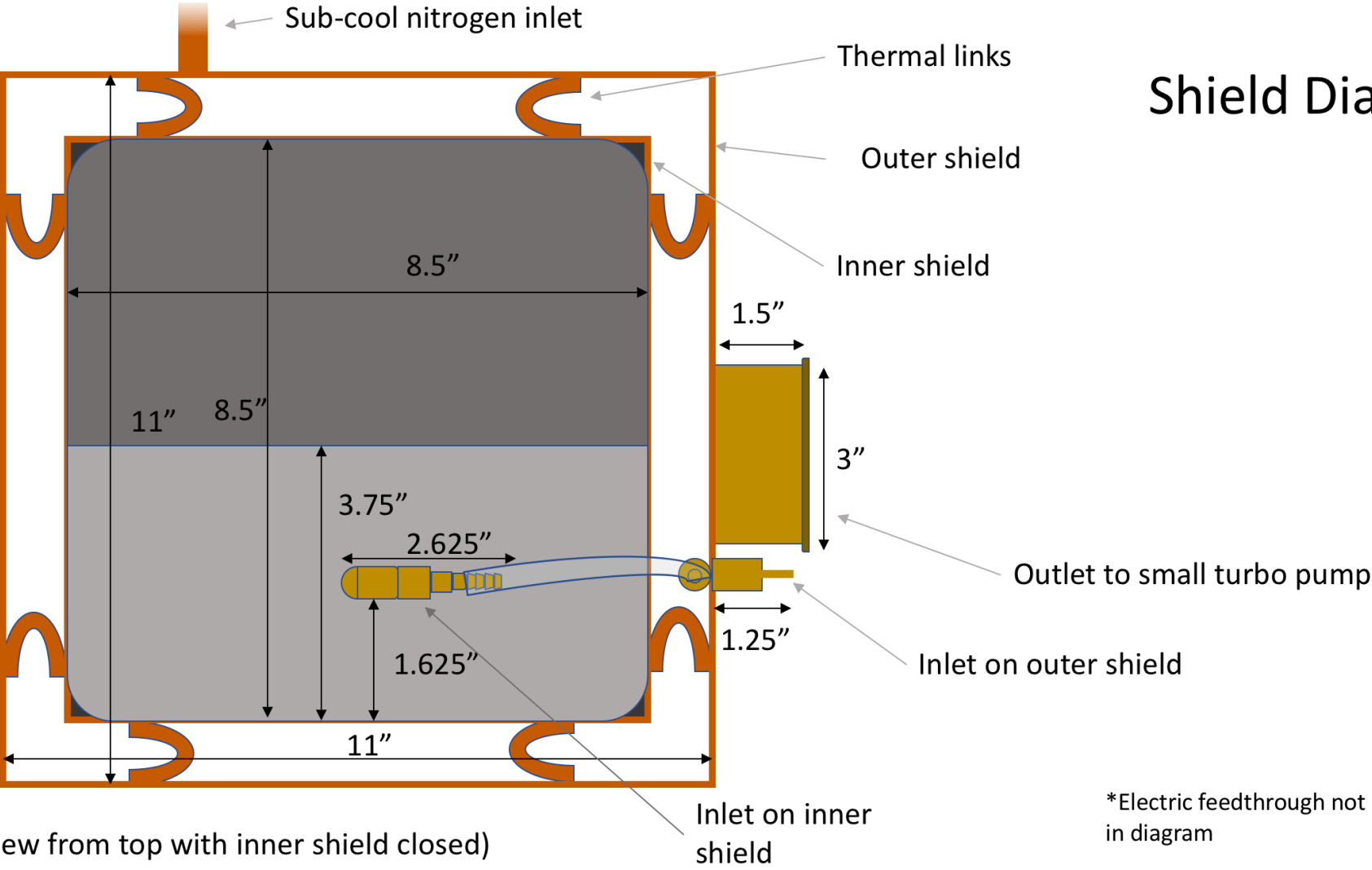


Shield Diagram



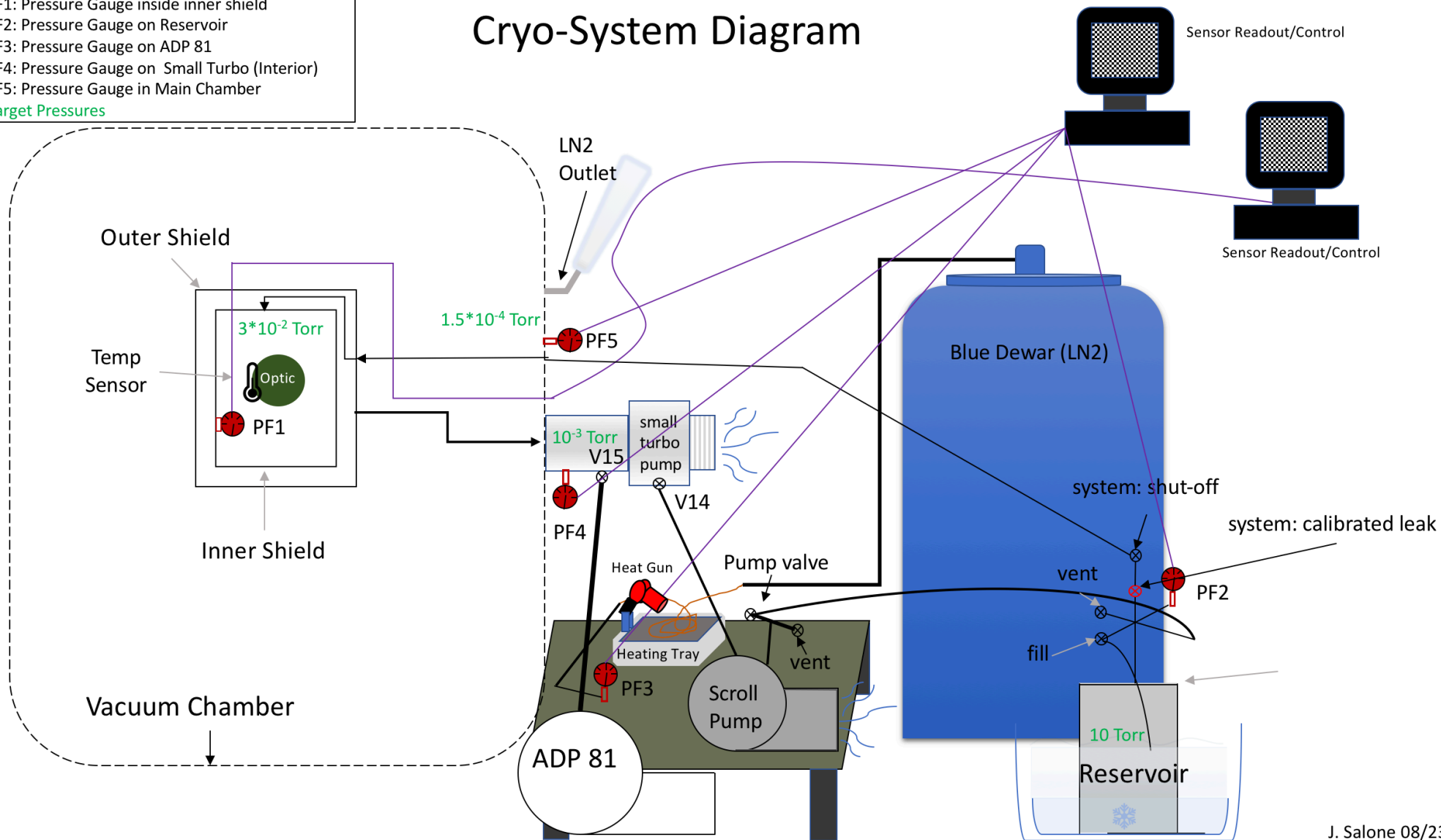
*Electric feed-through not included in diagram.

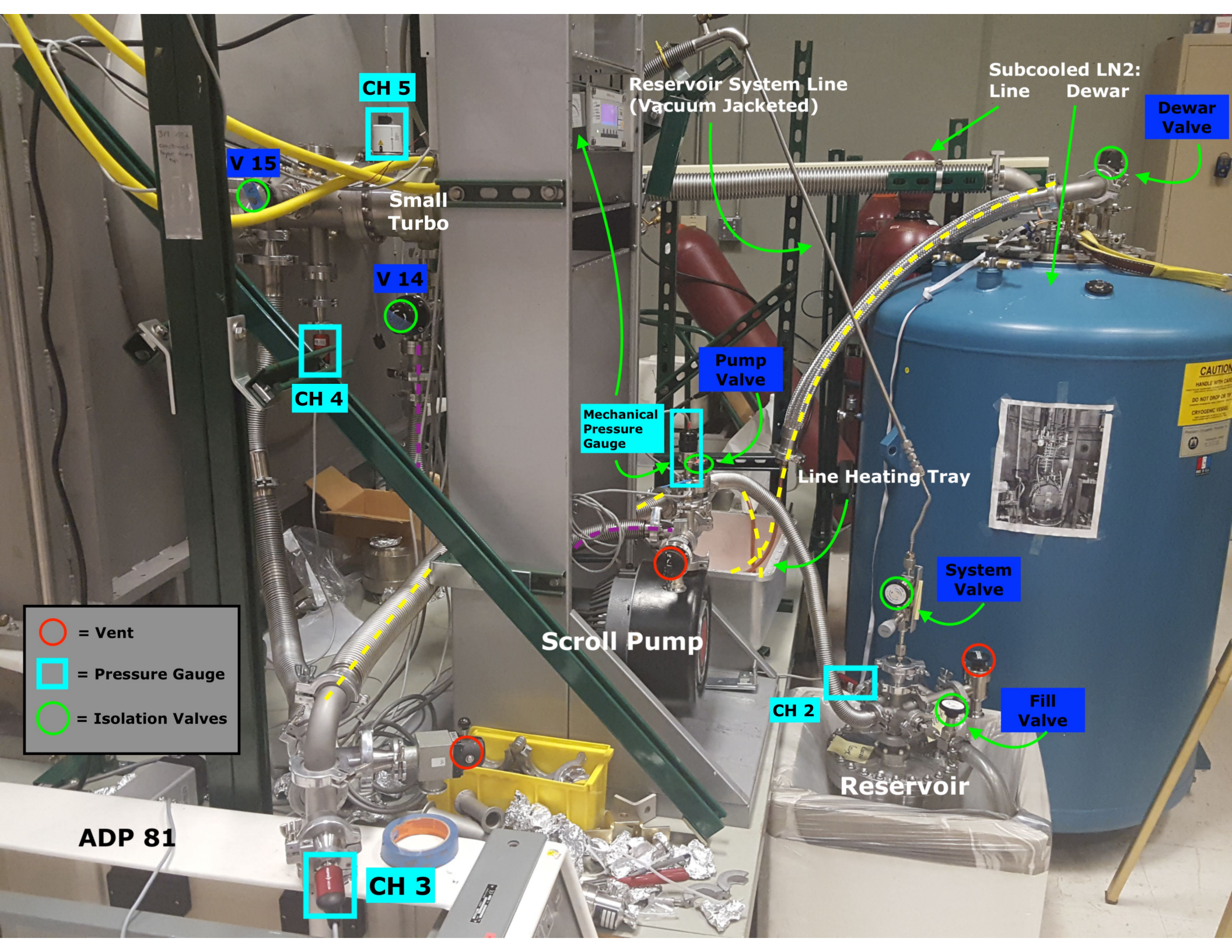
Shield Diagram



- PF1: Pressure Gauge inside inner shield
 - PF2: Pressure Gauge on Reservoir
 - PF3: Pressure Gauge on ADP 81
 - PF4: Pressure Gauge on Small Turbo (Interior)
 - PF5: Pressure Gauge in Main Chamber
- Target Pressures

Cryo-System Diagram





CH 5



V 15



Small Turbo

V 14



CH 4



Mechanical Pressure Gauge



Pump Valve

Reservoir System Line (Vacuum Jacketed)

Subcooled LN2: Line Dewar

Dewar Valve

Line Heating Tray

System Valve



Scroll Pump

CH 2



Reservoir

Fill Valve



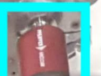
○ = Vent

□ = Pressure Gauge

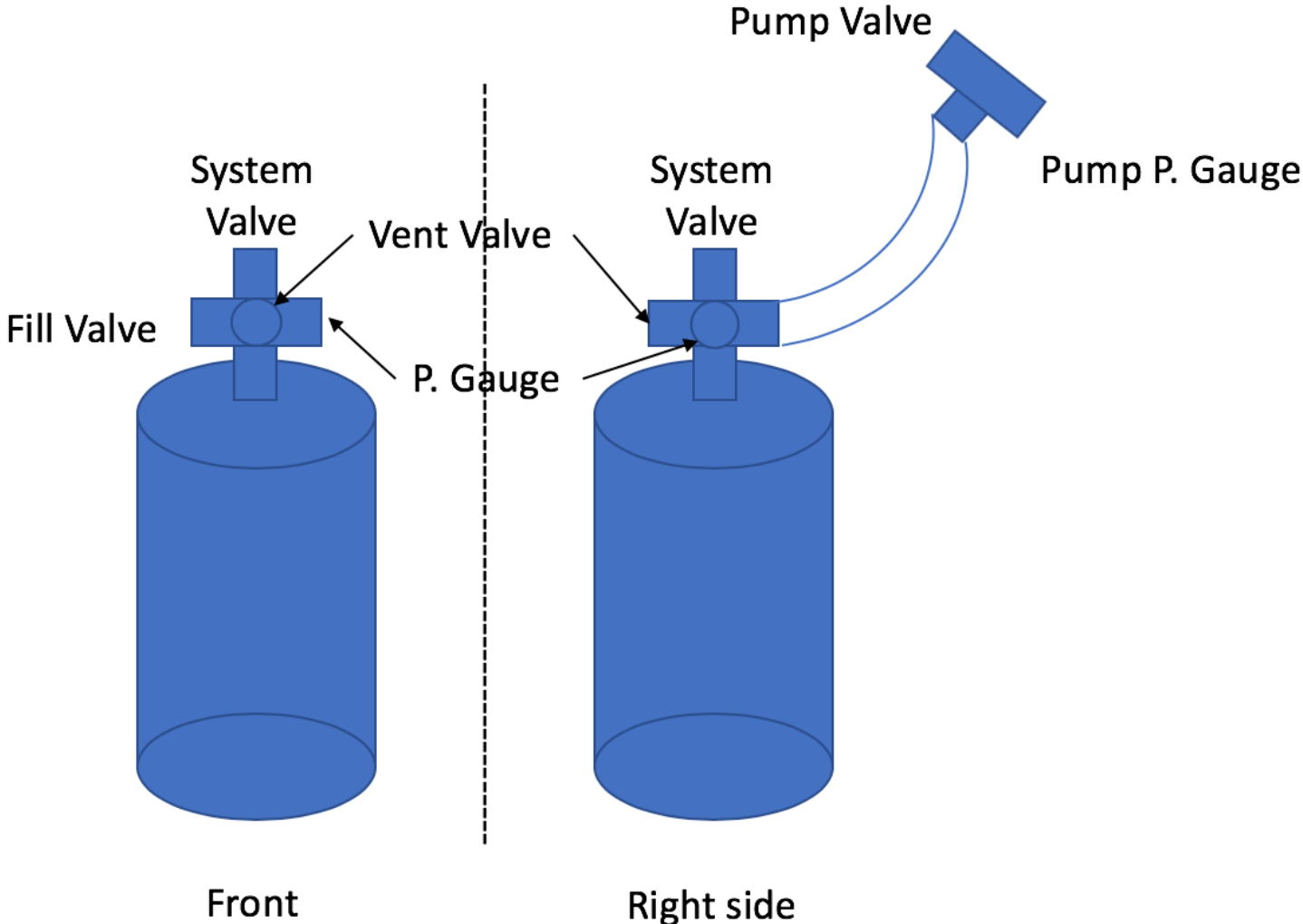
○ = Isolation Valves

ADP 81

CH 3



Reservoir System Diagram

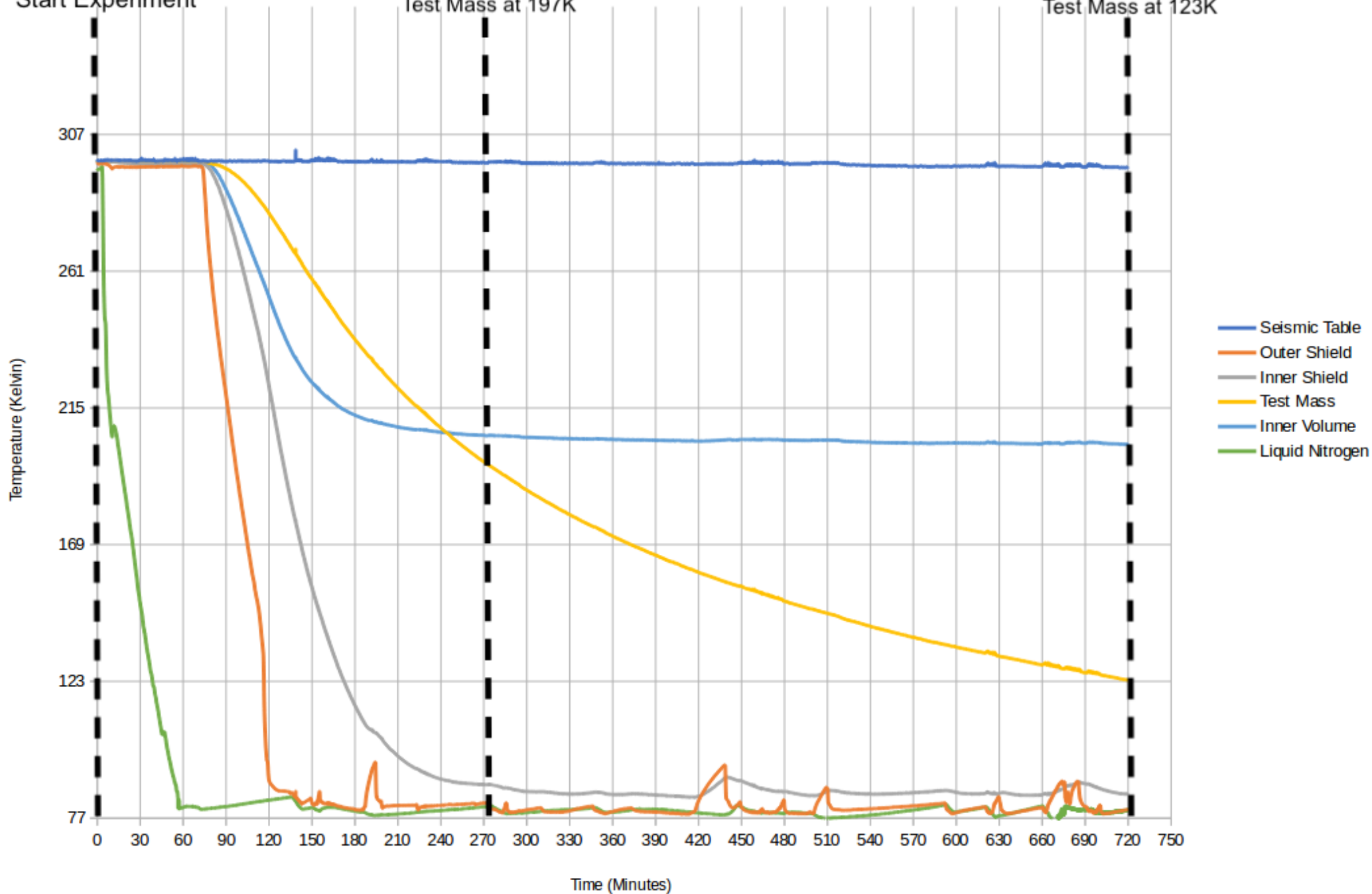


Cool Down Temp Data: August 27, 2018
(No Gas)

10:05AM
Start Experiment

2:35PM
4.5 hours after start.
Test Mass at 197K

10:07PM
12 hours after start.
Test Mass at 123K



Cool Down Temp Data: August 24, 2018

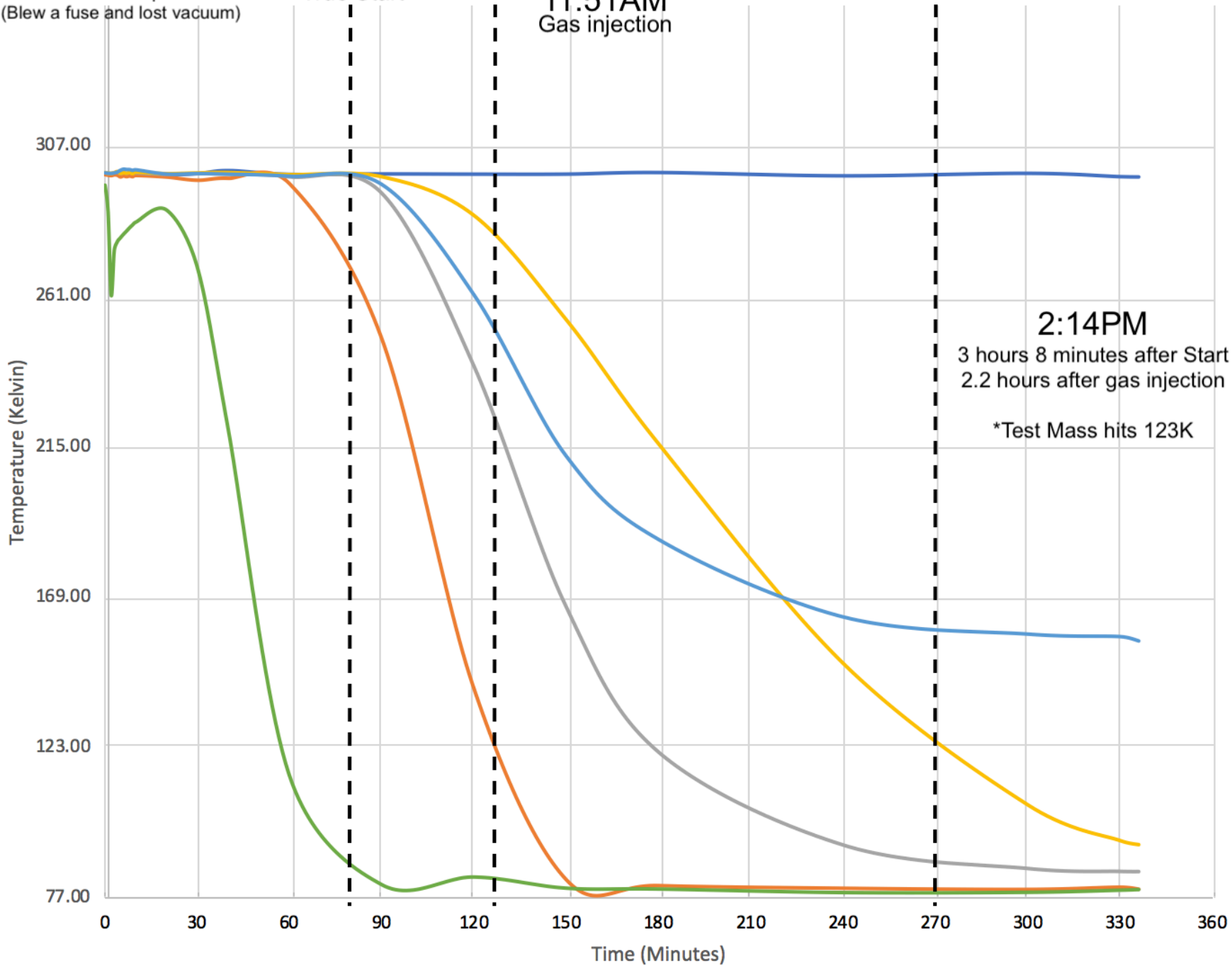
9:44:40AM
False Start of Experiment
(Blew a fuse and lost vacuum)

11:06AM
True Start

11:51AM
Gas injection

2:14PM
3 hours 8 minutes after Start
2.2 hours after gas injection

*Test Mass hits 123K



- Seismic Table
- Outer Shield
- Inner Shield
- Test Mass
- Inner Volume
- Liquid Nitrogen