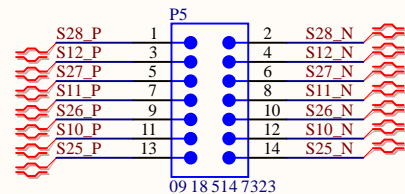
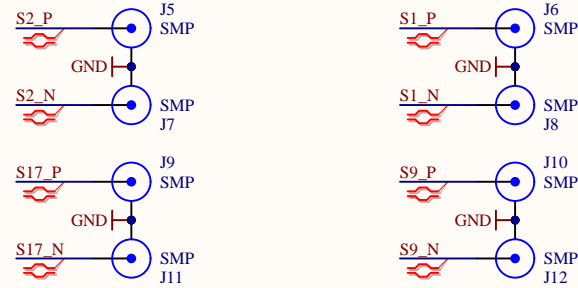
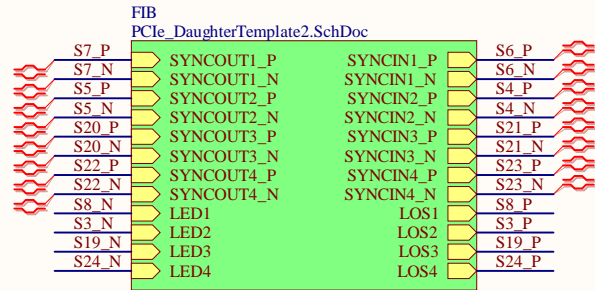
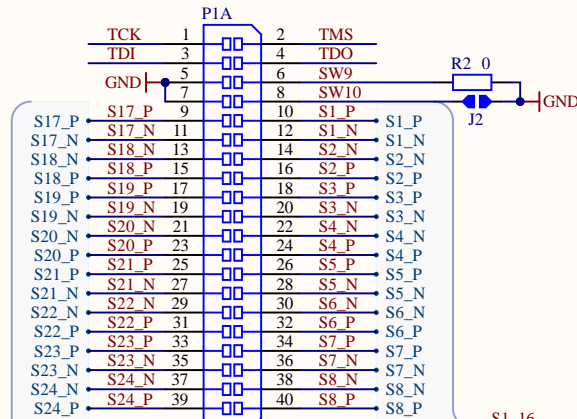
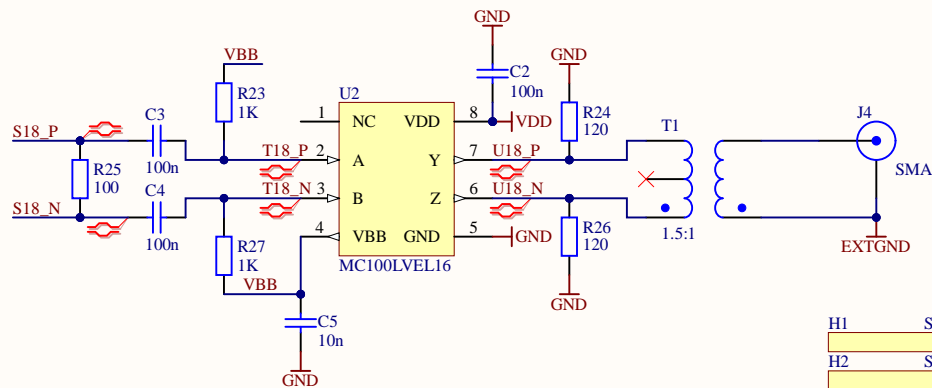


P3
P50E-080P1-SR1

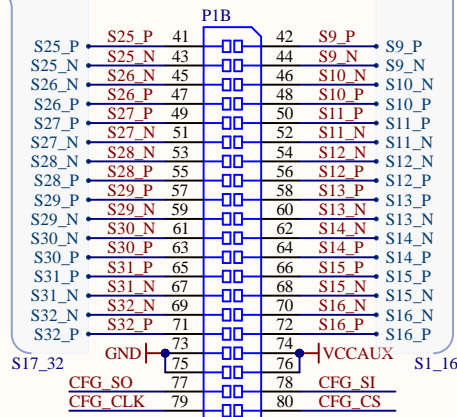


- | | | | |
|-----|----------|-----|----------------|
| H5 | M3 screw | H13 | #6 lock washer |
| H6 | M3 screw | H14 | #6 lock washer |
| H7 | M3 screw | H15 | #6 lock washer |
| H8 | M3 screw | H16 | #6 lock washer |
| H9 | M3 screw | H17 | #6 lock washer |
| H10 | M3 screw | H18 | #6 lock washer |
| H11 | M3 screw | H19 | #6 lock washer |
| H12 | M3 screw | H20 | #6 lock washer |

- | | |
|----|----------|
| H1 | Standoff |
| H2 | Standoff |
| H3 | Standoff |
| H4 | Standoff |

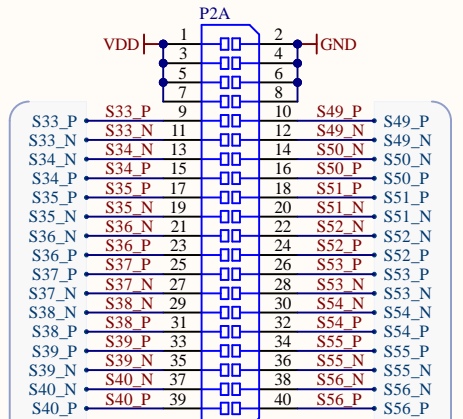


S17_32

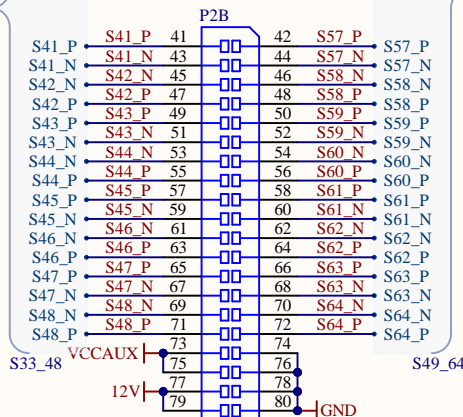


S17_32

S1_16



S33_48

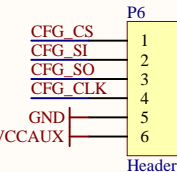
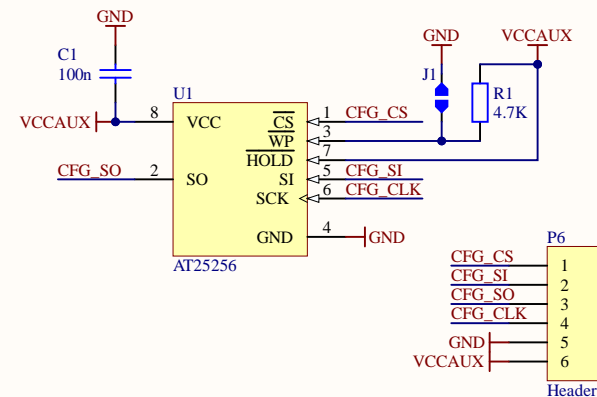
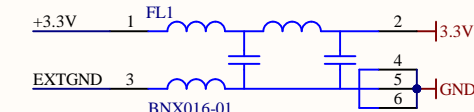
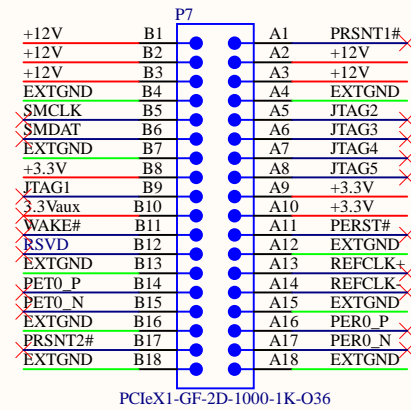


S33_48

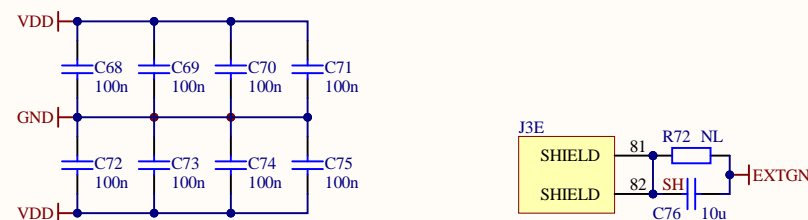
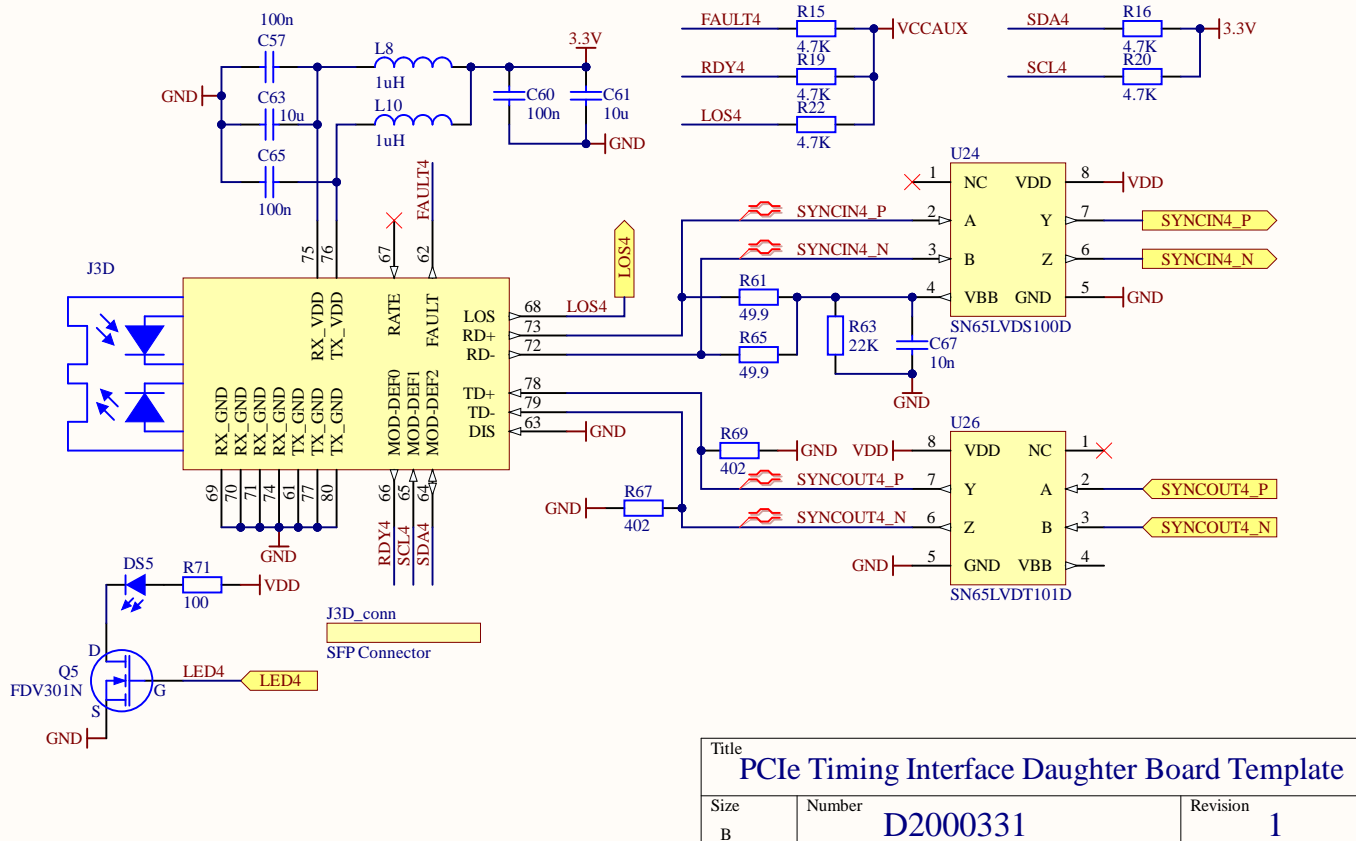
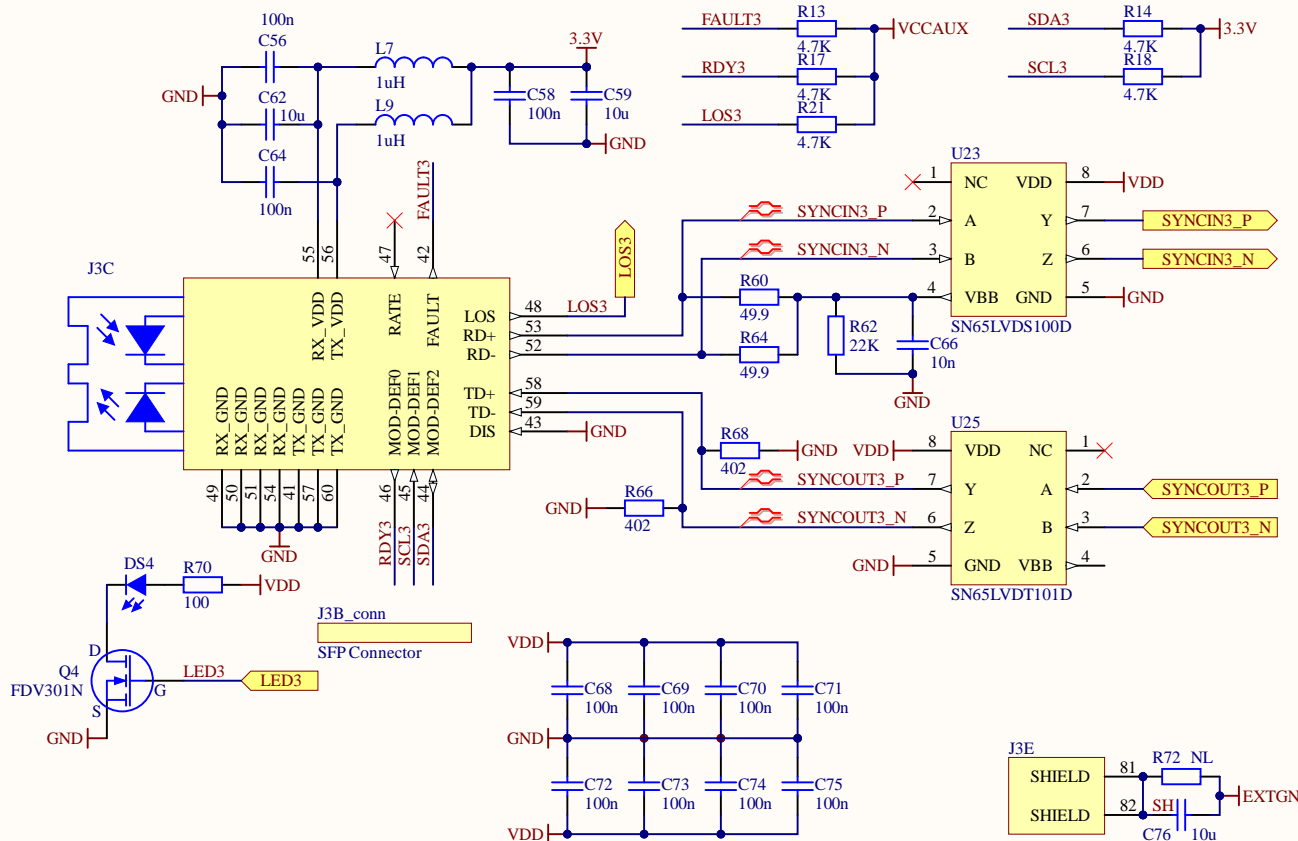
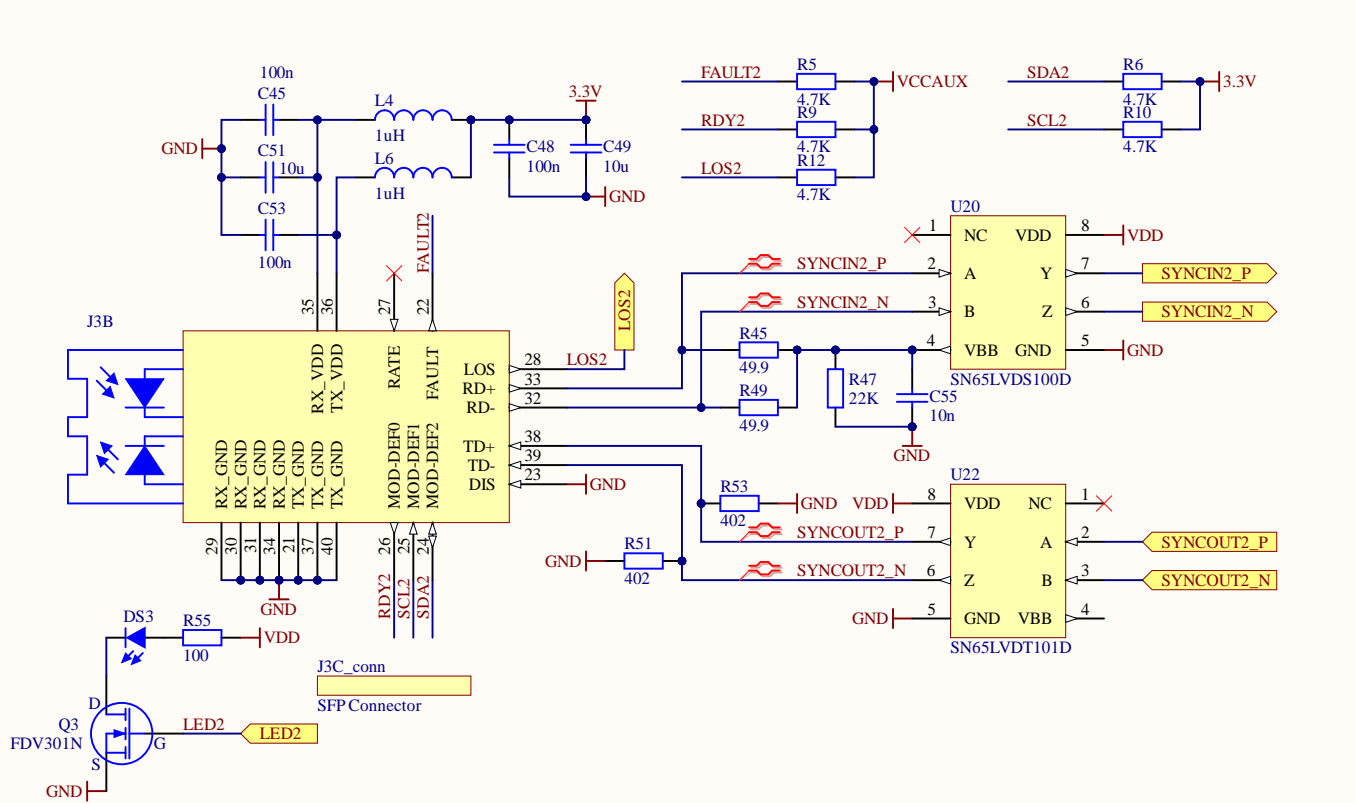
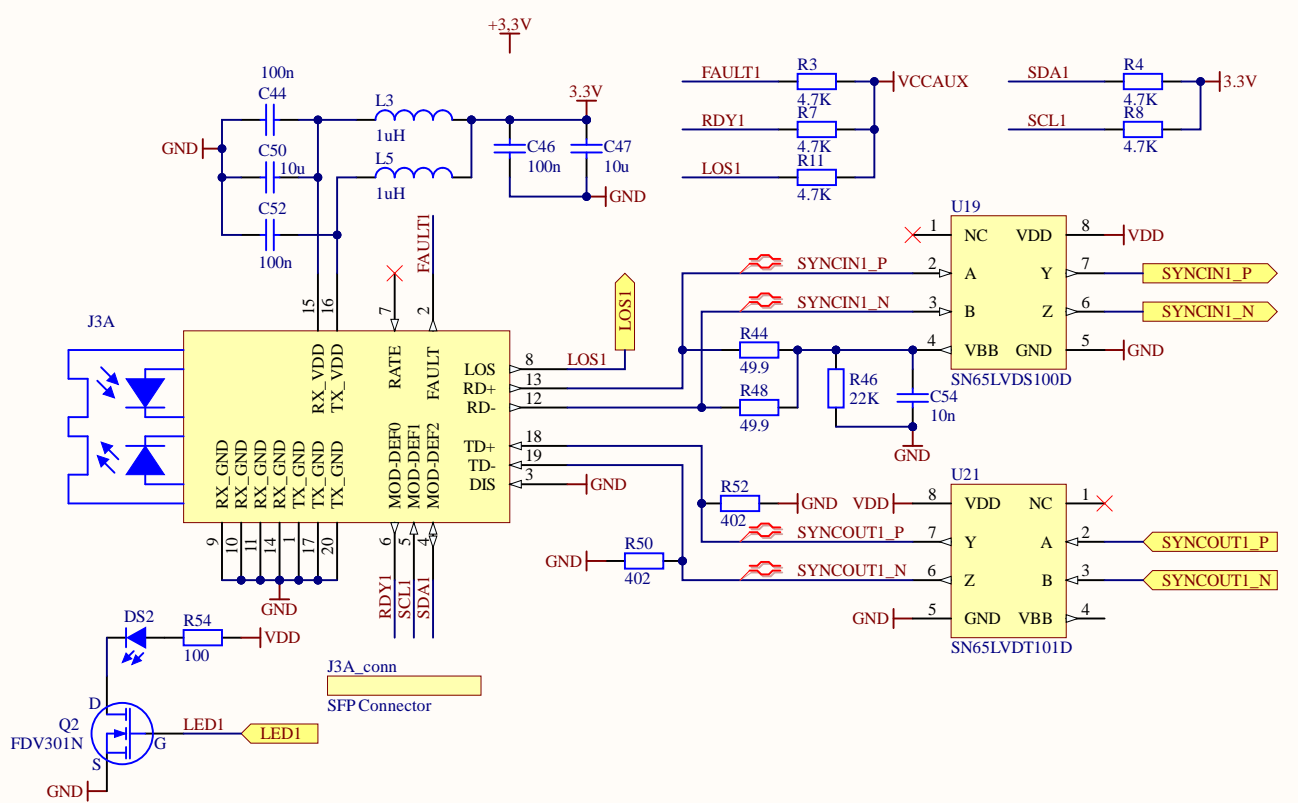
S49_64

Board-to-board spacing is 19 mm with -5

VDD is 3.3V
VCCAUX is 2.5V



Title PCIe Timing Interface Daughter Board Template		
Size B	Number D2000331	Revision 1
Date: 7/20/2020	Sheet 1 of 2	
File: C:\Users\...\PCIe_DaughterTemplate1.SchDoc Drawn By: Daniel Sigg		



Title PCIe Timing Interface Daughter Board Template		
Size B	Number D2000331	Revision 1
Date: 7/20/2020	Sheet 2 of 2	
File: C:\Users\...\PCIe_DaughterTemplate2.SchDoc Drawn By: Daniel Sigg		