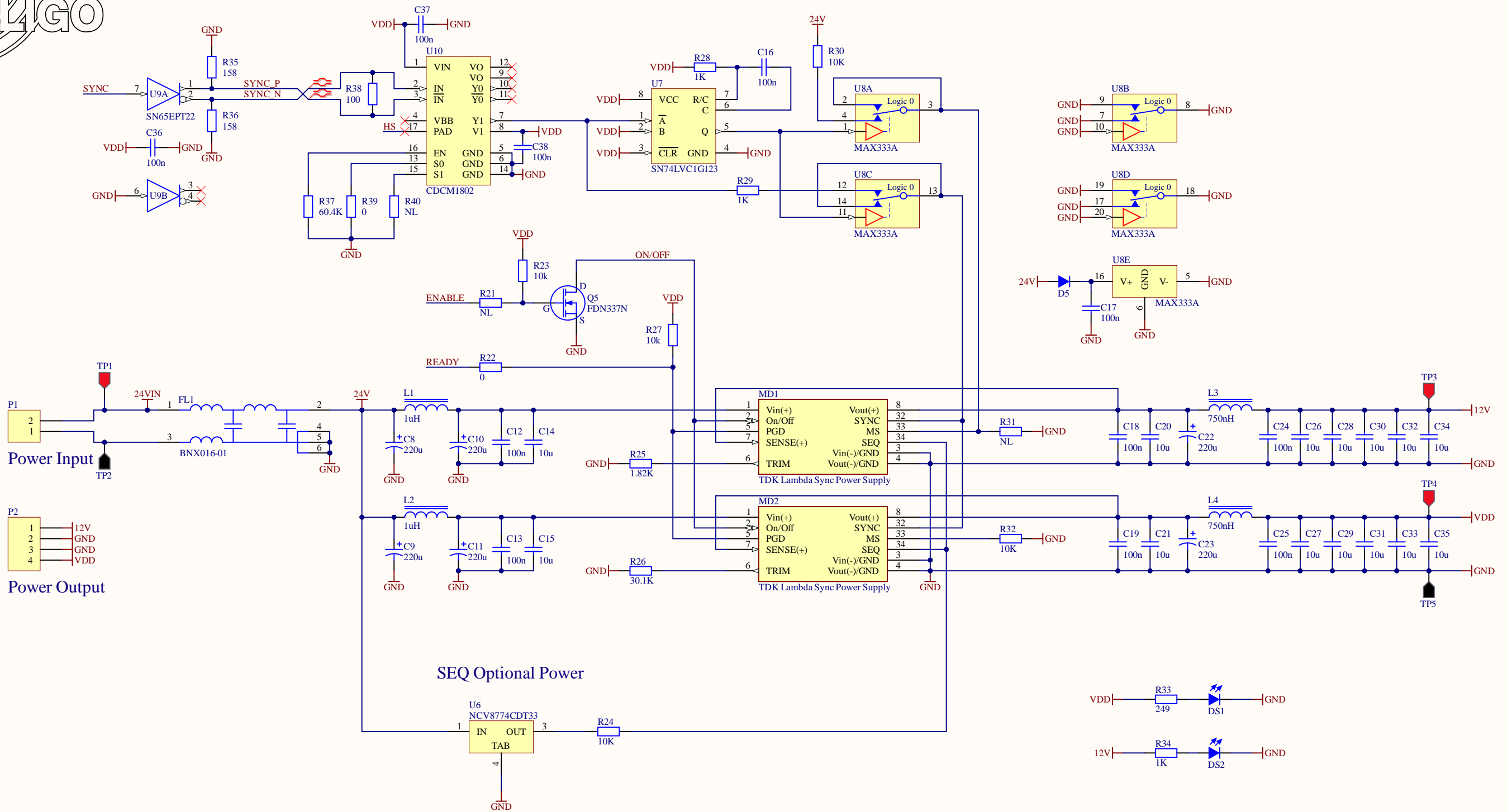
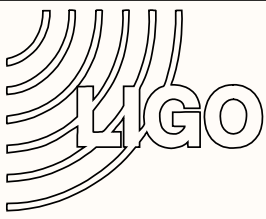
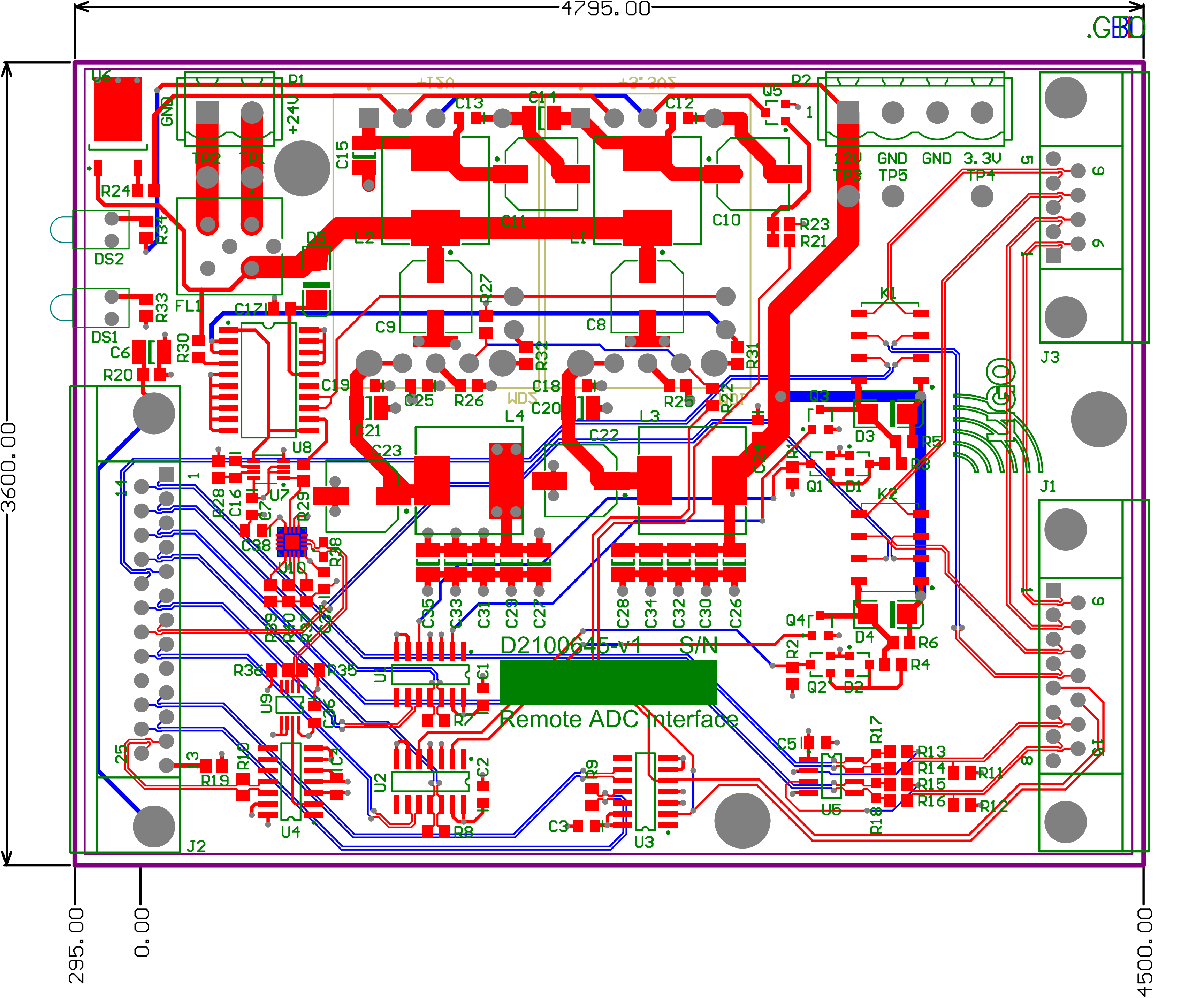


Title Remote Interface for standard ADC			LIGO Project California Institute of Technology Massachusetts Institute of Technology		LIGO
Size: B	DCC Number: D2100645	SCH / PCB Revision: v1	Engineer: D. Sigg	Date: 9/29/2021	
File: C:\Users\Daniel\Documents\Protel\marc.pirello\Solutions\ISC - PCIe Duotone\New Backplane\RemoteInterface\RemoteInterface1.SchDoc					



Title		Remote Interface for standard ADC		LIGO Project California Institute of Technology Massachusetts Institute of Technology		LIGO	
Size: B	DCC Number: D2100645	SCH / PCB Revision: v1	Engineer: D. Sigg	Date: 9/29/2021			
File: C:\Users\Daniel\Documents\Protel\marc.pirello\Solutions\ISC - PCIe Duotone\New Backplane\RemoteInterface\RemoteInterface22SchDoc							



D2100645-v1 S/N
Remote ADC Interface

.GBO

4795.00

3600.00

295.00

0.00

4500.00