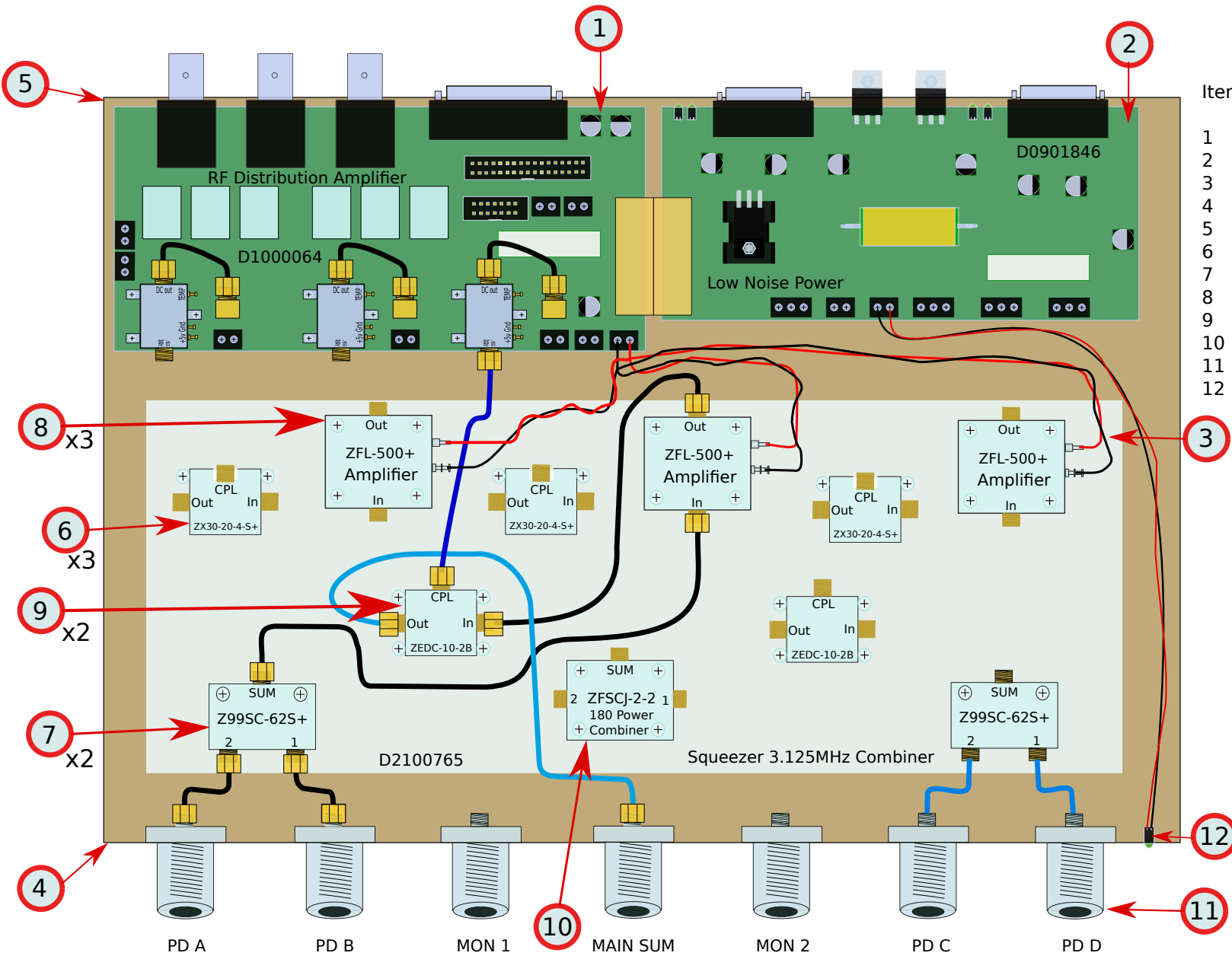


D2100759-v3 Squeezer Combiner 3.125MHz Assembly Drawing for O4



Item	Qty	Part Number	Name
1	1	D1000064-v1	RF Dist. Amp.
2	1	D0901846-v5	Low Noise Module
3	1	D2100765-v1	Combiner Plate
4	1	D2100760-v1	Front Panel
5	1	D2100761-v1	Rear Panel
6	3	ZX30-20-4-S+	Directional Coupler
7	2	Z99SC-62-S+	Power Combiner
8	3	ZFL-500+	Amplifier
9	2	ZEDC-10-2B	Directional Coupler
10	1	ZFSCJ-2-2	180 Power Combiner
11	7	ACX1345-ND	Fem. SMA to Fem. N Jack
12	1	PM3GDW12.0	LED Panel 20mA 2.1v 12"

2	0406MPF188	Phil Flat Ft MS18-8 4-40 3/8"
3	91771A144	Phil Flat 18-8 6-32 x 1/4"
9	M46PPM1	Phil Pan 4-40 3/8"
8	91771A939	Phil Flat 6-32 3/16"
5	095-902-451-008	SMA PLUG TFLEX-405 8"
2	095-902-451-009	SMA PLUG TFLEX-405 9"
1	095-902-451-010	SMA PLUG TFLEX-405 10"
1	095-902-451-012	SMA PLUG TFLEX-405 12"