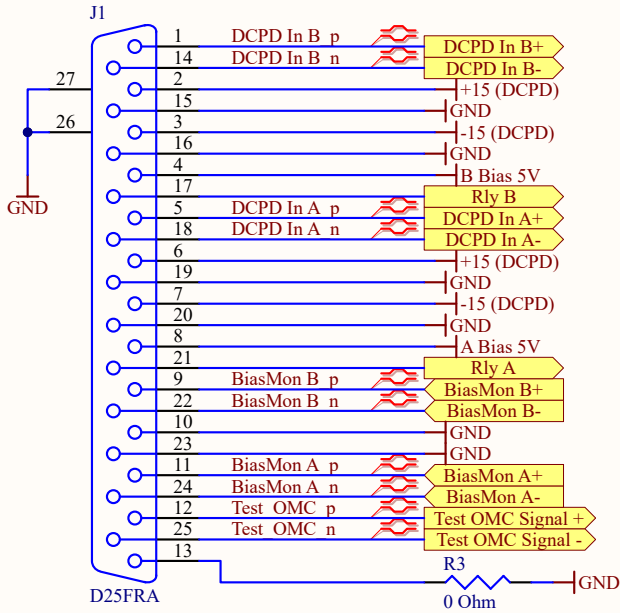


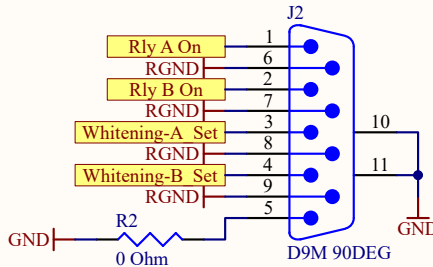
Preamp Chamber Interface

Front Panel



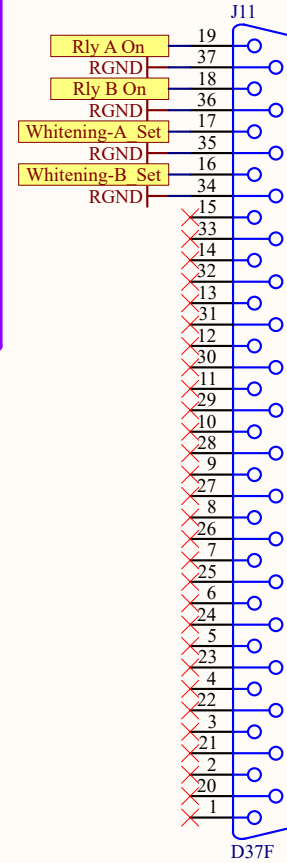
From Binary Output Module
Test/Whitening Enable

PCB



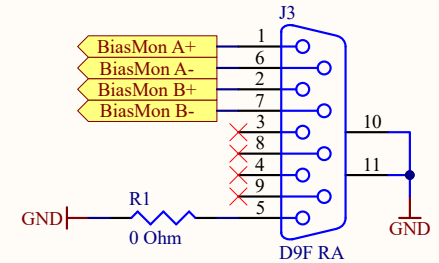
From Binary Output Module
Test/Whitening Enable

Rear Panel



To AA/ADC
BIAS Monitors

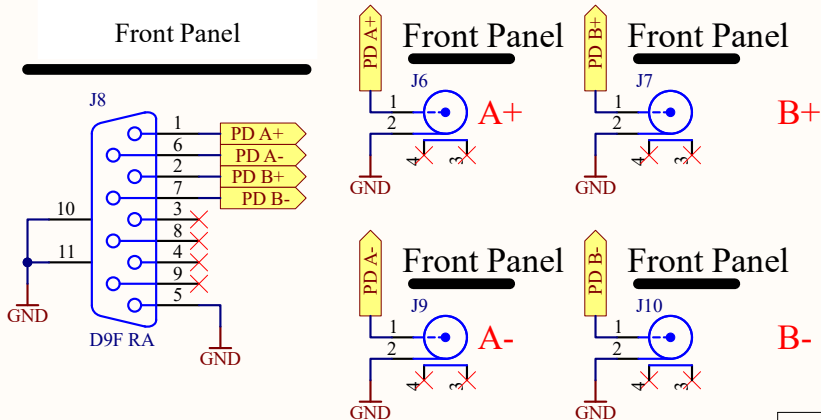
Rear Panel



Preamp Output Monitors

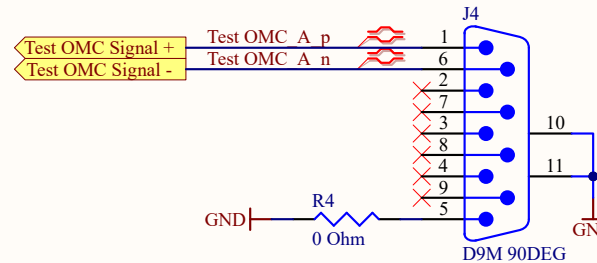
A+ pin 1, A- pin 6
B+ pin 2, B- pin 7

Front Panel



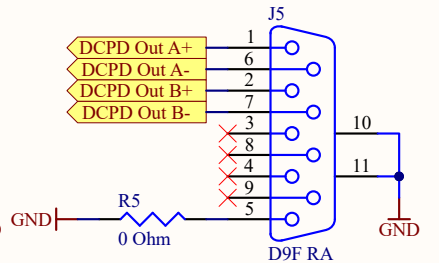
From AI/DCA
Test Inputs

Rear Panel



To AA/ADC
Whitened Output

To: Rear Panel



Last Edited: 12/6/2022

Title **D2200215 OMC DCPD Chassis Pinout**

LIGO Laboratory
California Institute of Technology
Massachusetts Institute of Technology

LIGO

Size: A DCC Number: D2200215 Revision: v2

Engineer: D Schaeztl

Date: 12/6/2022
Time: 11:37:59 AM