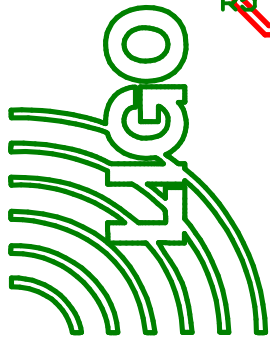
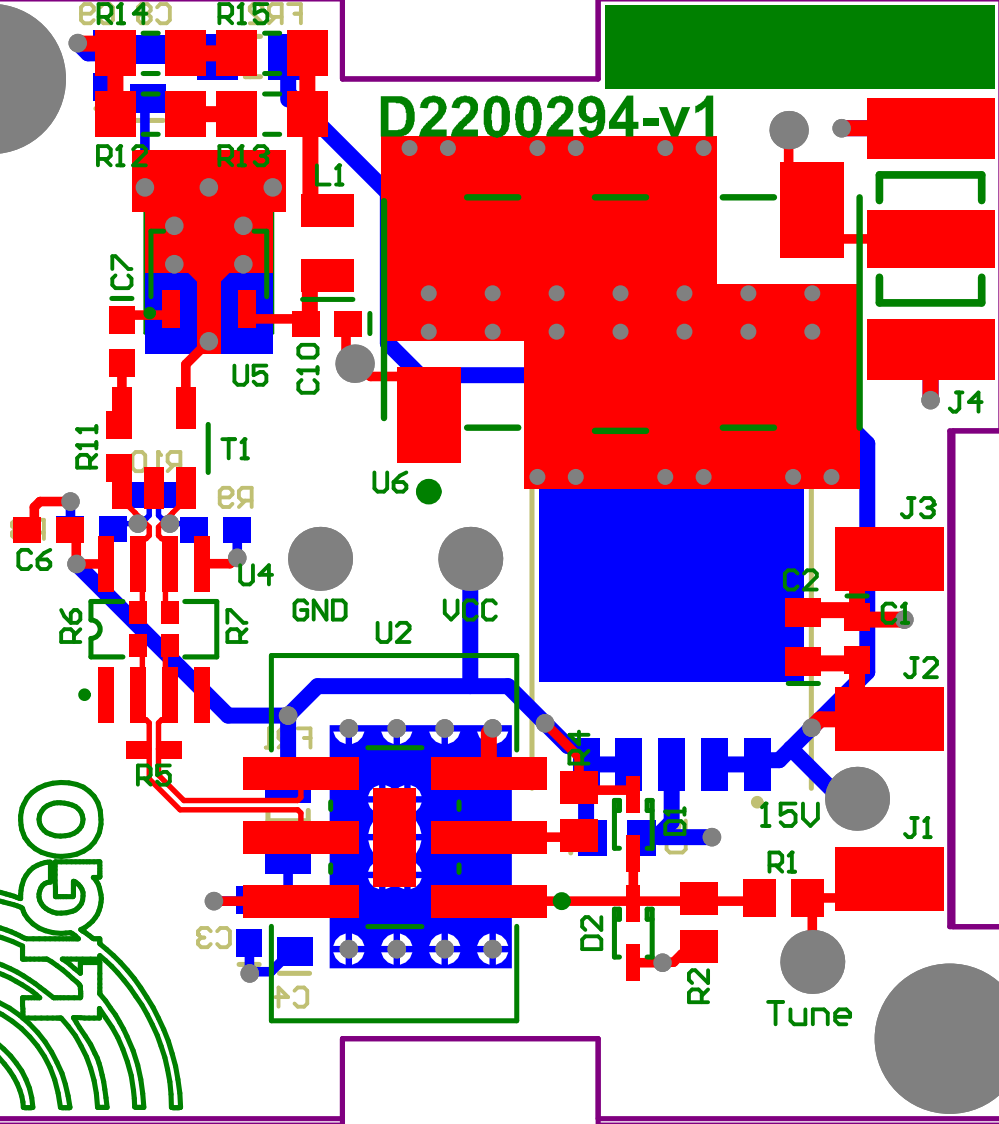


| | | |
|------------------|-----------------------------|-----------------------|
| Title | | |
| VCXO Part | | |
| Size | Number | Revision |
| B | D2200294 | 1 |
| Date: | 8/15/2022 | Sheet 1 of 1 |
| File: | C:\Users\d\VCXOPart1.SchDoc | Drawn By: Daniel Sigg |

VCXO



D2200294-v1



Tune

15V

GND

VCC

R14

R15

R12

R13

L1

IC7

U5

C10

R11

T1

U4

GND

VCC

J3

C1

J2

R5

C3

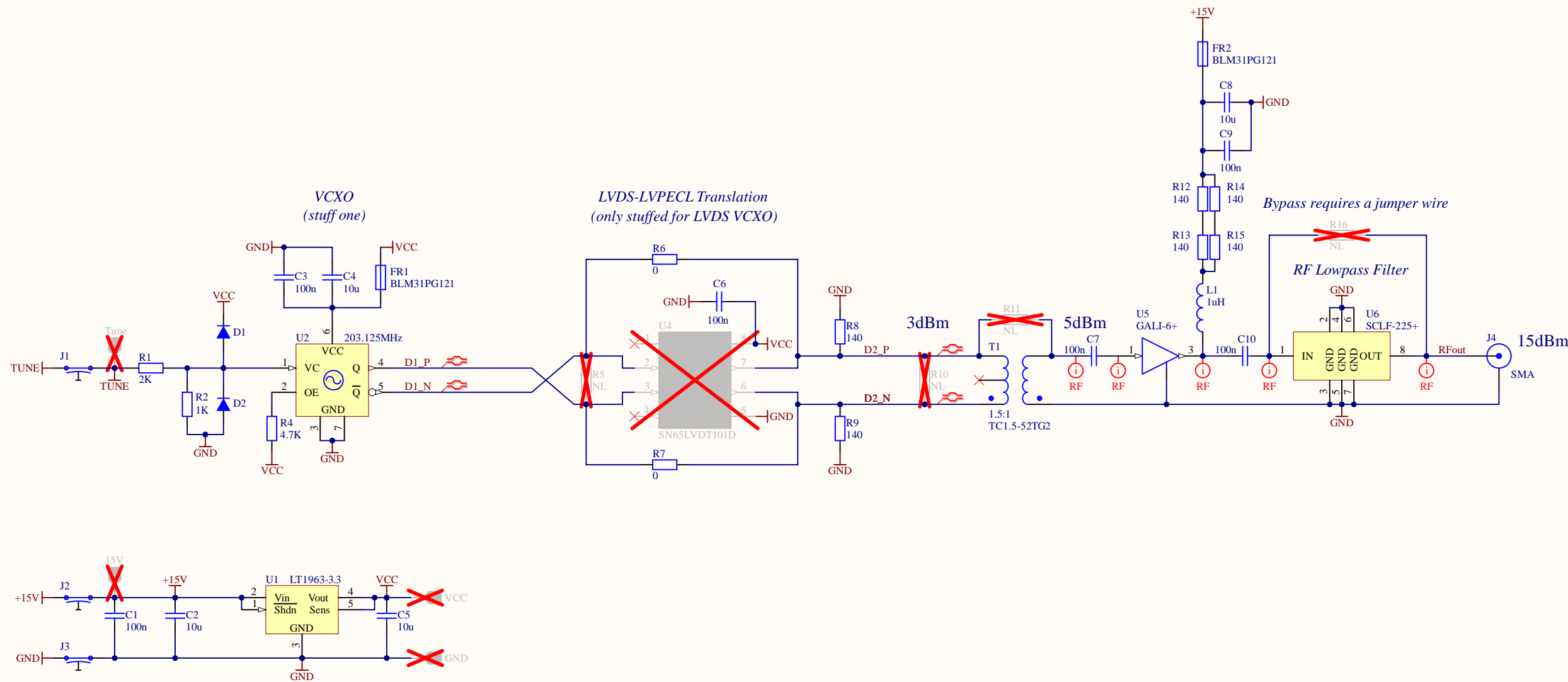
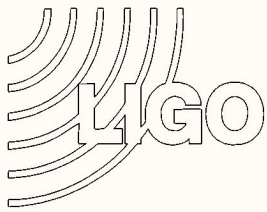
C4

D2

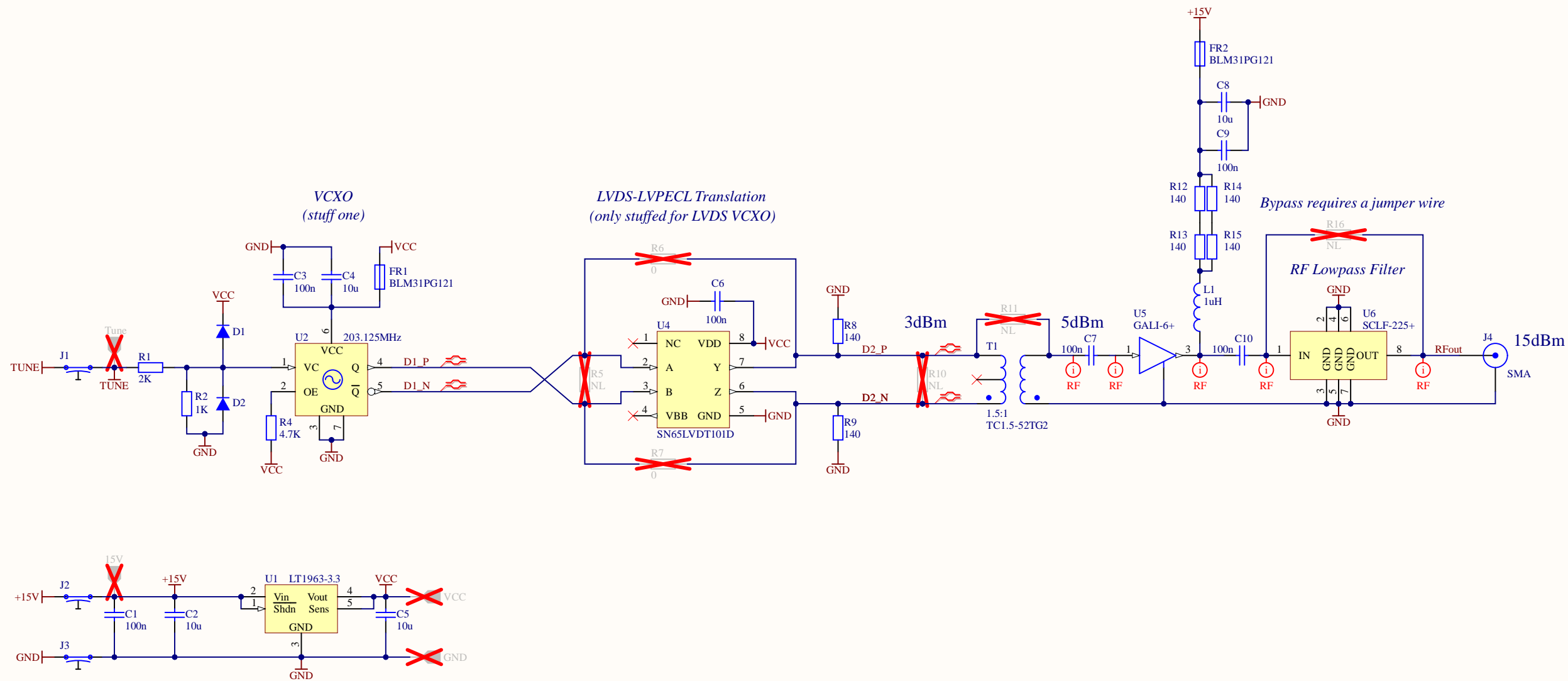
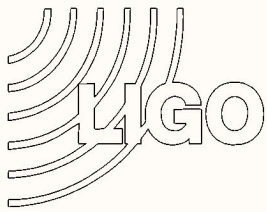
R2

R1

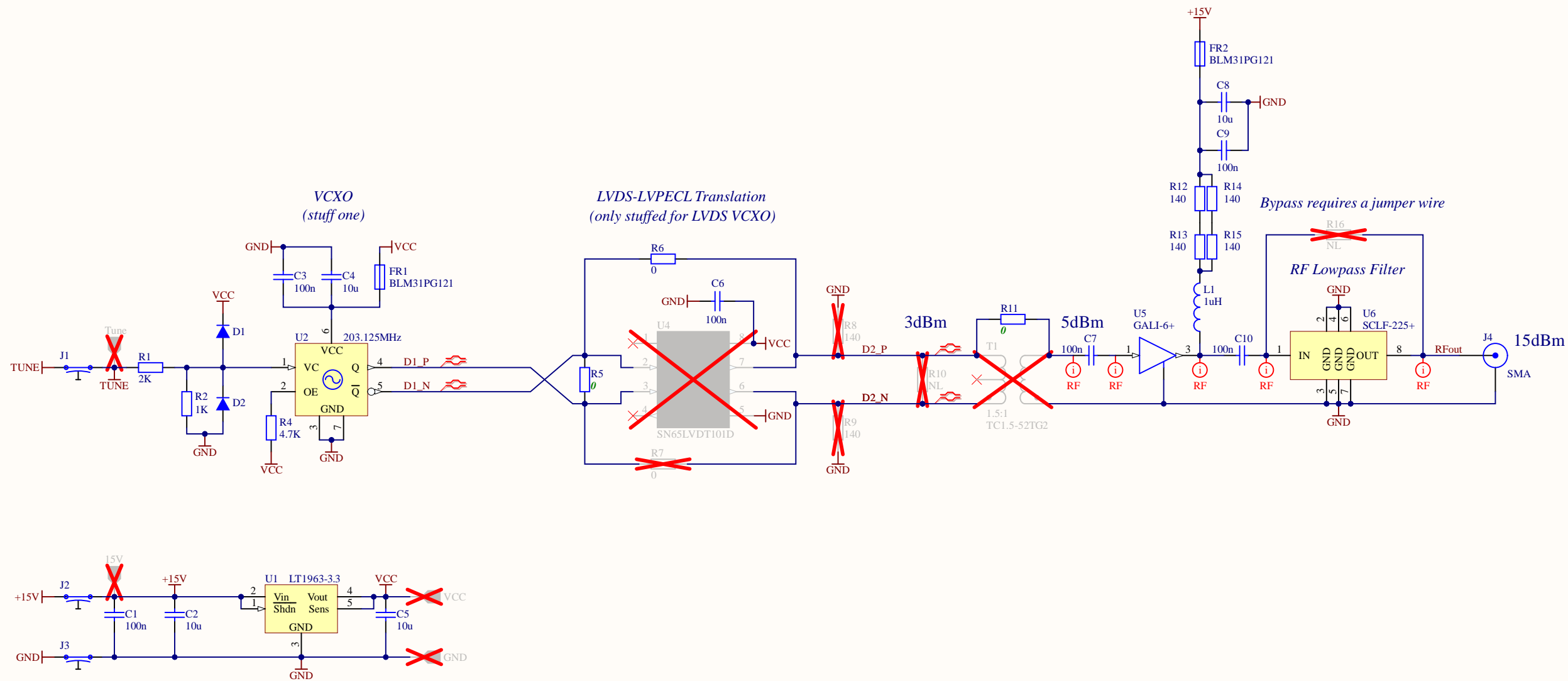
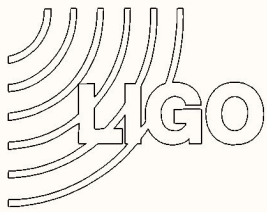
J1



| | | |
|------------------|---------------------------------|-----------------------|
| Title | | |
| VCXO Part | | |
| Size | Number | Revision |
| B | D2200294 | 1 |
| Date: | 8/15/2022 | Sheet 1 of 1 |
| File: | C:\Users\d... \VCXOPart1.SchDoc | Drawn By: Daniel Sigg |



| | | |
|------------------|-------------------------------|-----------------------|
| Title | | |
| VCXO Part | | |
| Size | Number | Revision |
| B | D2200294 | 1 |
| Date: | 8/15/2022 | Sheet 1 of 1 |
| File: | C:\Users\d...VCXOPart1.SchDoc | Drawn By: Daniel Sigg |



| | | |
|------------------|---------------------------------|-----------------------|
| Title | | |
| VCXO Part | | |
| Size | Number | Revision |
| B | D2200294 | 1 |
| Date: | 8/15/2022 | Sheet 1 of 1 |
| File: | C:\Users\d... \VCXOPart1.SchDoc | Drawn By: Daniel Sigg |