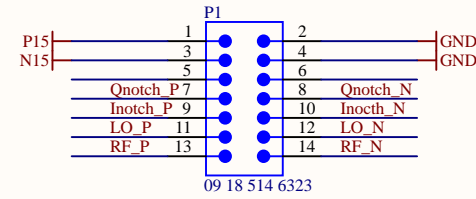
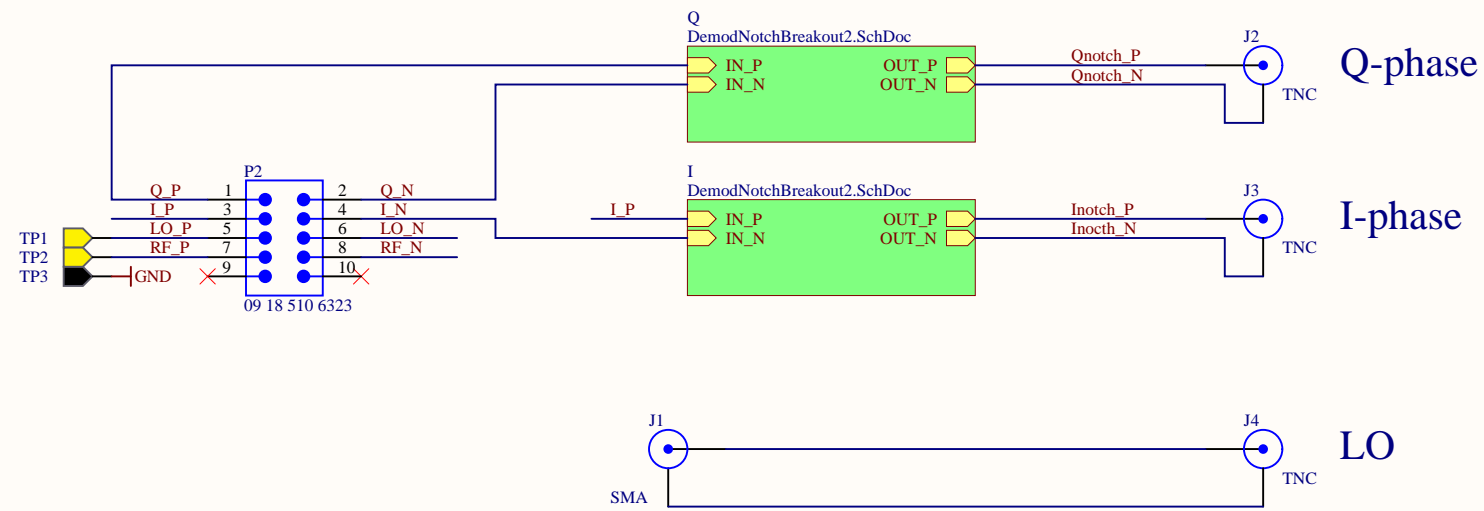


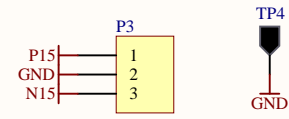
Power Board & Monitor Signals



Signals from Demodulator



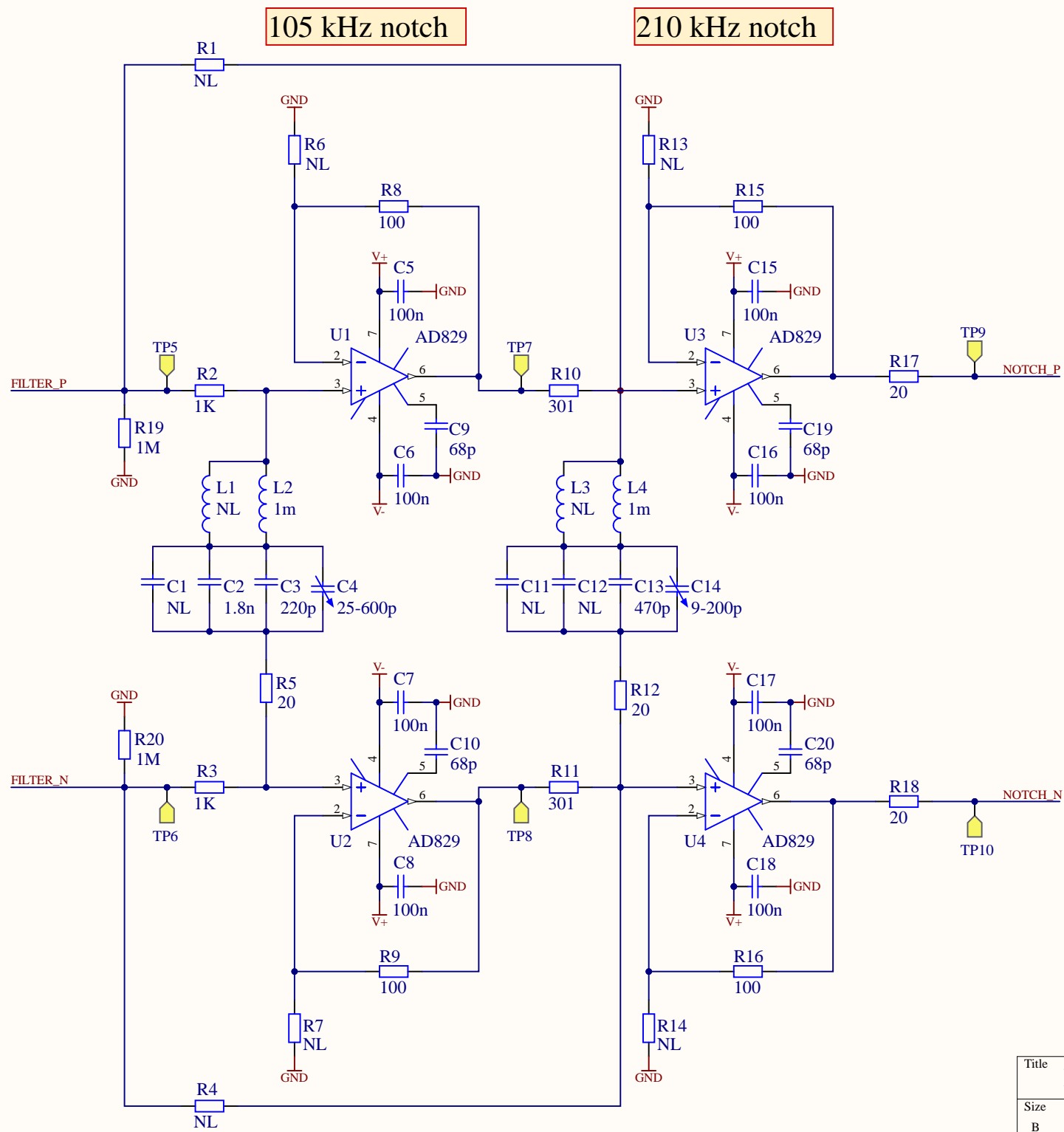
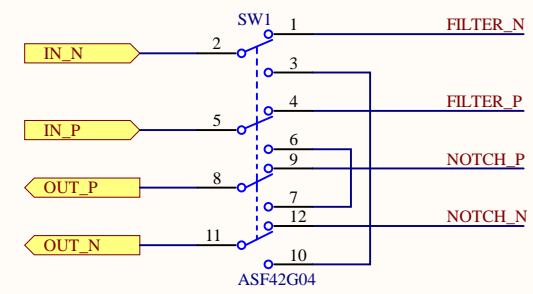
Power to Demodulator



Title		
Demodulator Filter Breakout		
Size	Number	Revision
B	D2200344	1
Date:	10/10/2022	Sheet 1 of 2
File:	C:\Users\...\DemodNotchBreakout1.SchDoc Drawn By: Daniel Sigg	

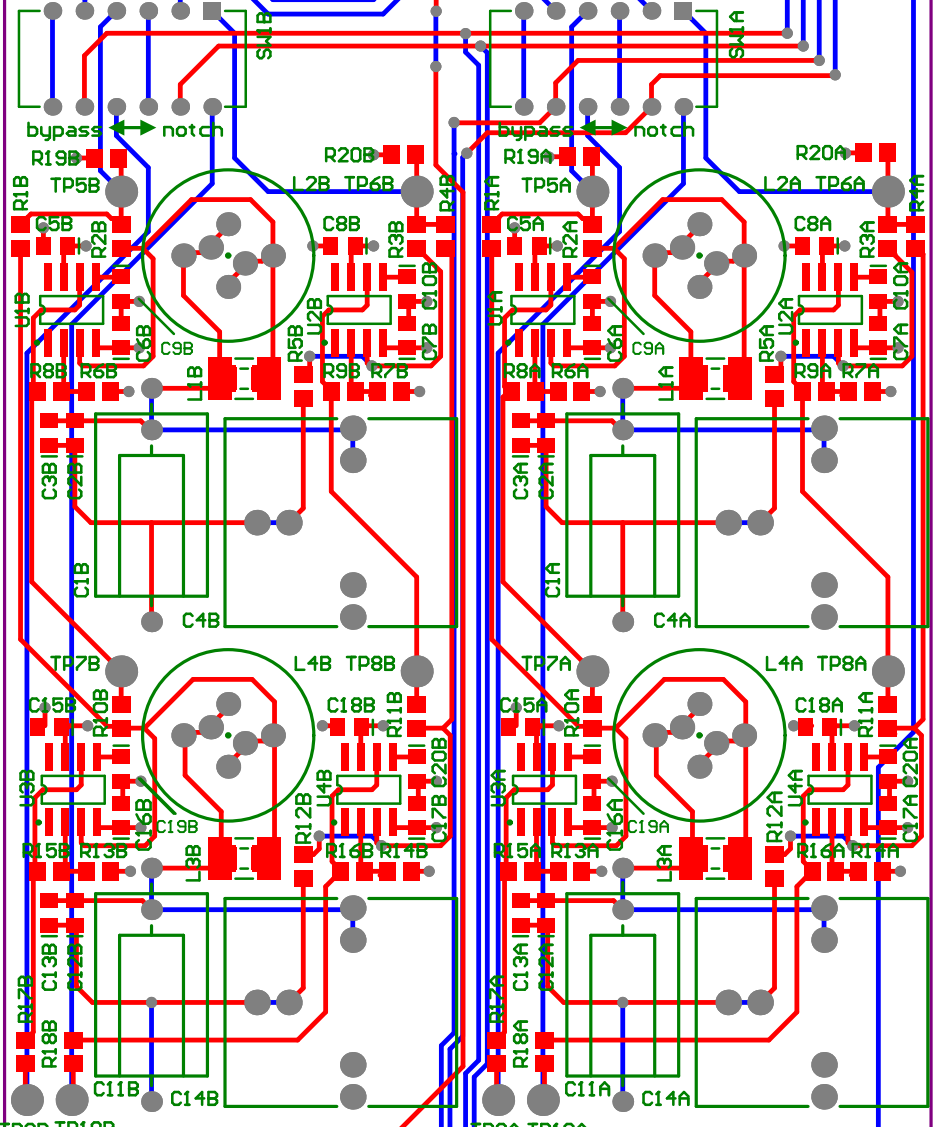
105 kHz notch

210 kHz notch



Title		
Demodulator Filter Breakout		
Size	Number	Revision
B	D2200344	1
Date:	10/10/2022	Sheet 2 of 2
File:	C:\Users\...\DemodNotchBreakout2.SchDoc Drawn By: Daniel Sigg	

Demodulator Notch Breakout



D2200344
rev. 1
S/N

