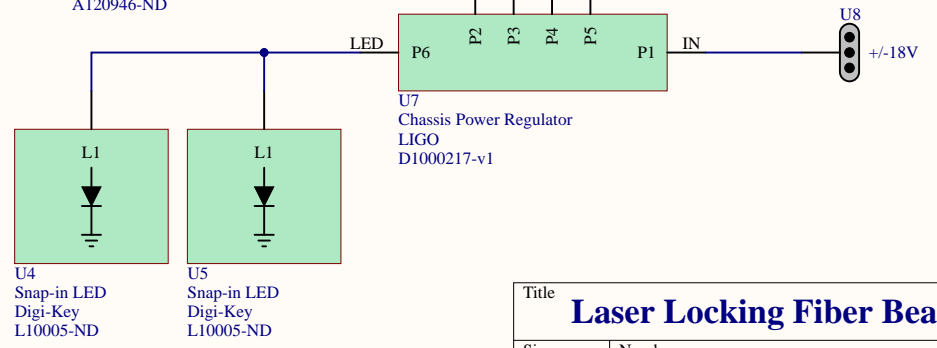


Use Kapton tape on outside of lens tube at add electrical isolation.  
 Use electrically isolated posts for photo detector.

Alternative parts for fiber splitter:  
 OZ Optics: FUSED-12-1064-6/125-50/50-3A3A3A-1-0.5 (2-way 50:50)  
 OZ Optics: FUSED-22-1064-6/125-50/50-3A3A3A3A-1-1 (2x2 50:50)

- PN1 3/4 Width 2U Enclosure LIGO D1700081-v1
- PN2 Mounting Plate LIGO D2300357-v1
- PN3 Front Panel LIGO D2300330-v1
- PN4 Rear Panel LIGO D2300331-v1



|   |                           |                          |
|---|---------------------------|--------------------------|
| Title<br><b>Laser Locking Fiber Beat Note</b> |                           |                          |
| Size<br>B                                     | Number<br><b>D2300329</b> | Revision<br><b>1</b>     |
| Date:<br>10/12/2023                           | Sheet of<br>2             | Drawn By:<br>Daniel Sigg |
| File:<br>C:\Users\...\FiberBeatNote1.SchDoc   |                           |                          |

